



Color Variants

WM260164
Freestanding

WM260164 Washing machine Freestanding



Capacity

10 kg drum with interior lighting
Volume capacity from 1 to 10 kg.

Consumption Rates

EN16 EU 2016 Washing, EU2019, Australia, GB 2021, Hong Kong 2014, RU (EU old), Singapore, UAE 3.5 Water Stars (WELS) Water consumption 123 litres per year, based using the Eco 40-60, Rinse +2, 1600 rpm. Actual water consumption will depend on how the appliance is used.

Programs

Wash Programs: Eco 40-60, Cotton Colour, Cottons Program cold to 90° C, Wool /Hand wash cold to 40° C, Delicates cold to 40° C, delicates/silk, Easy Care
Additional programs: AllergyPlus / Hygiene, Memory, sports/fitness, shirts, easy care plus., Single Rinse, automatic, Automatic Soft gentle 40° C wash, Super 15 min / Super 30 min, quick/mixture, spin, drain, Drum clean with reminder

Program Options: Remote-Start, Intensive Plus, Speed Perfect, Rinse Plus, Less ironing, Rinse Hold, Water Plus, Silent Wash, Prewash, Stains. Anti-stain automatic stain removal program. Load scale and dosage recommendation, demo programme, Automatic stain removal system, using specific wash cycles to remove the following stains: Baby food, Blood, Egg, Strawberry, Soil and sand, Grass, Coffee, Cosmetics, Orange, Red Wine, Chocolate, Sweat, Dirty socks, Grease and oil, Tea and Tomato., Consump indicator energy+water
Intelligent dosage system iDos 2.0 for liquid detergent and softener for a perfect washing result
Automatic programmes: Perfect washing results at the touch of a button.

Home network integration for digital services (Home Connect) wireless via WiFi.

The use of the Home Connect functionality depends on the Home Connect services, which are not available in every country. For further information please check: home-connect.com.

Performance

Dynamic Wash System: innovative washing technology for increased cleaning performance
Innovative BLDC motor technology for more performance, higher durability as well as less energy consumption and noise.
Stainless steel drum with wave structure.
Spin speed selection from 400 to 1600 rpm.
Operating noise level for washing Eco 40-60, Rinse +2, 1600 rpm at full load in dB (A):47
Operating noise level for spinning at Eco 40-60, Rinse +2, 1600 rpm at full loading in dB (A): 72
Aqua stop water safety system.
An electronically controlled water protection system to prevent any water damage
Aqua sensor. Which works with the Aqua stop for detection of leak in the water system
Flow-through sensor.
Continous automatic load adjustment.

Characteristics

Energy Efficiency Class (Regulation (EU) 2017/1369)
C

Weighted energy consumption in kWh per 100 washing cycles of eco 40-60 programme (EU 2017/1369)
67

Maximum capacity in kg (EU 2017/1369)
10.0

The water consumption of the eco programme in liters per cycle (EU 2017/1369)
49

Duration of eco 40-60 programme in hours and mins at rated capacity (EU 2017/1369)
3:55

Spin-drying efficiency class of eco 40-60 programme (EU 2017/1369)
A

Airborne acoustical noise emission class (EU 2017/1369)
A

Airborne acoustical noise emissions (EU 2017/1369)
72

Built-in / Free-standing
Free-standing

Height of removable worktop
-2

Dimensions of the product
848 x 598 x 590

Net weight
83.4

Connection Rating
2300

Fuse protection
10

Voltage
220-240

Frequency
50

Length electrical supply cord
160

Door hinge
Left

Wheels
No

Power consumption standby/network:
Please check the user manual for how to switch off the WiFi module.
1.5

Time auto-standby/network
5.0

EAN code
4242006294786

Repair index
7.7

Installation typology
Free-standing

Included accessories

Consumption and connection features

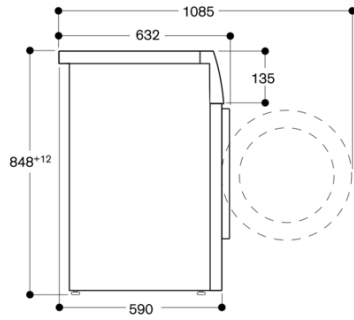
2022-12-08
Page 1

Features

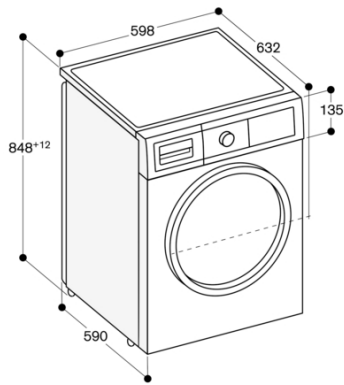
TFT display with clear text and symbols.
Touch key operation.
Loading indicator with dosage recommendation.
Illuminated rotary knob with integrated On-Off switch.
Programme sequence and remaining time display.
Time delay up to 24 hours.
Anti-crease.
Foam detection system.
Automatic stabilisation.
Multiple signal tones.
Powder detergent drawer with automatic cleaning mode after every wash cycle.
Drum interior lighting.
Child lock.
Combines perfectly with dryer WT260110

Technical Information

Left-hinged Door
Large porthole with 180 ° opening angle.
Height-adjustable feet by a total of 120mm
Height for slide-under installation: 85 cm.
Total connected load 2.3 KW.
Connection cable 1.60 m with plug.
Width 60 cm, height 84.8 cm, depth 59cm, depth with door open (90#) 108.50cm, depth with door closed 63.2cm
Water connection with 3/4 " screw joint.



measurements in mm



measurements in mm