



WS482110
Warming drawer 400 series
Stainless steel-backed glass front
Width 76 cm, Height 21 cm

Handleless drawer
Bright interior light
Cushioned closing system
Hygienic stainless steel interior with glass bottom
4 power levels in the temperature range 40 °C to 80 °C (glass surface)
Also for preparing and cooking meals, and for keeping meals warm

Heating methods
Defrosting of meals/proving of yeast dough.
Preheating of small beverage containers.
Keeping meals warm/slow cooking meals.
Warming ovenware.

Handling
Rotary knob operation.
Recessed grip at the front bottom of the drawer.

Features
Net volume 38 litres.
Volume capacity: Dinner service for 10 people including ø 24 cm plates and soup bowls, additional bowls and a serving dish depending on size.
Max. load 25 kg.
Usable interior dimensions
W 606 x H 132 x D 480 mm.
Heating under glass bottom for easy cleaning.
Fan for even heat distribution for fast warming ovenware.
Status display, visible in the glass front.
Glass bottom made of safety glass.

Planning notes
The panel surface of the appliance extends 47 mm from the furniture cavity.
Installation of BO/BS above WS with dimensionally stable intermediate shelf.
Installation of BS above WS in 66,5 cm niche with intermediate floor (gap of 7 mm between WS and BS).
The socket can be planned behind the appliance.

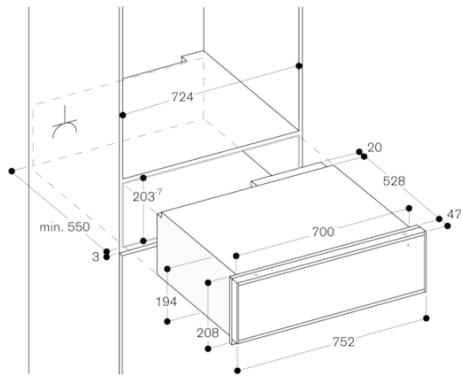
Connection
Total connected load 0.81 KW.
Connection cable 1.5 m, detachable.

Characteristics
Built-in / Free-standing
Built-in
Color / Material Front
Maximum number of plates
40
Maximum number of espresso cups
120
Dimensions
208 x 752 x 548
Dimensions of the packed product (HxWxD) (mm)
340 x 850 x 710
Required niche size for installation (HxWxD)
203 x 724 x 550
EAN code
4242006220389
Electrical connection rating (W)
810
Current (A)
10
Voltage (V)
220-240
Frequency (Hz)
60; 50
Plug type
Gardy plug w/ earthing

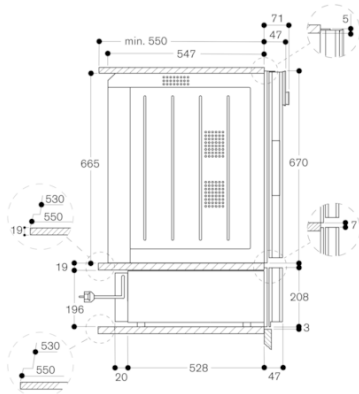
Consumption and connection features
2021-04-13
Page 1

Color Variants

WS482110
Stainless steel-backed glass front
Width 76 cm, Height 21 cm



Side view of WS 482 below BO 480



Side view of WS 482 below BS 484/485

