



NEAR-BOILING + COLD FILTERED WATER TAP HC3300

The InSinkErator HC3300 Instant Hot Water Tap dispenses near boiling filtered hot water from an easily installed under-sink hot water tank, as well as filtered drinking water.

The unit produces the perfect temperature for making hot drinks, speeding up the preparation of pasta or vegetables, cleaning dishes and a host of other kitchen tasks.



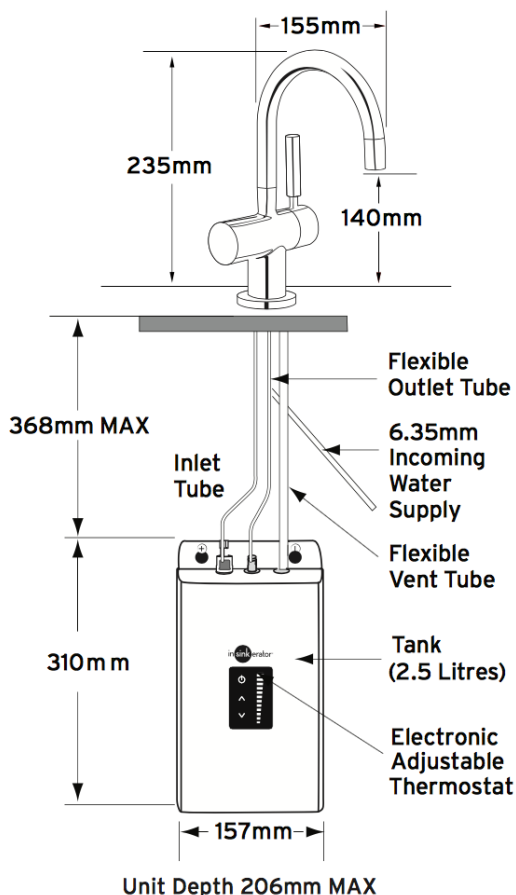
TAP FINISHES



SPECIFICATIONS

Features:

- Near boiling steaming hot water instantly
- Safe, filtered hot or cold drinking water
- Contemporary swivelling spout.
- Tap insulated from heat
- Gentle touch, two lever dispenser
- Scale reduction technology protects heating elements
- Energy efficient & economical, saving both time and money
- Easy to install 2.5 litre stainless steel tank fitted under sink
- Shut-off valve in filter head automatically stops water flow
- Tap mounted on either the kitchen work surface or sink
- (35mm-38mm hole required in bench)
- Adjustable temperature dial. (88°C to 98°C)
- Reduces chlorine, lead, and other unpleasant tastes, chemicals and odours from the water
- Plugs directly into electrical socket close to appliance
- Easy to replace filter
- 2 year full warranty!



EASY TO INSTALL UNDER SINK
TANK & WATER FILTER