



SUB-ZERO BUILT-IN REFRIGERATION

Built-In Models

For the built-in line, Sub-Zero designers and engineers took a fresh look at everything, inside and out. Exterior refinements include redesigned grilles and lower-profile hinges. Inside, new technology in food preservation makes the built-in line nothing short of revolutionary.

KEY FEATURES

- Three distinct design approaches: overlay, flush inset and stainless steel.
- Handle options coordinate with handles of Wolf cooking products.
- Dual refrigeration; two compressors preserve food's goodness in two sealed compartments.
- Energy efficient.
- Internal dispenser model provides ice and chilled water inside the refrigerator.
- Crisper and deli drawers form a lower-temperature zone for produce and meats.
- Flip-up grille provides easy access for quick routine maintenance.
- All models are Star-K certified.



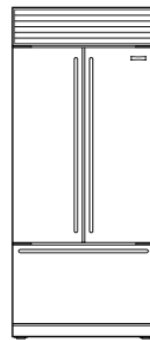
ICBBI-36R



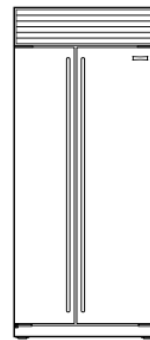
ICBBI-36F



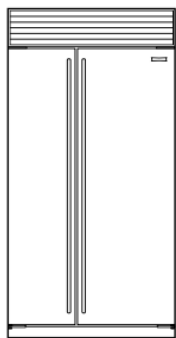
ICBBI-36UID



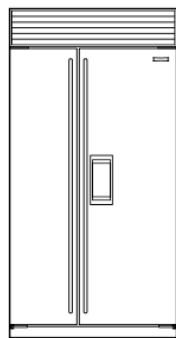
ICBBI-36UFDID



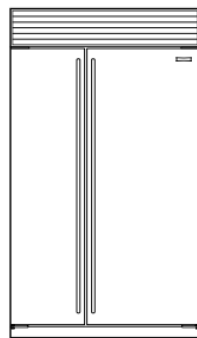
ICBBI-36S



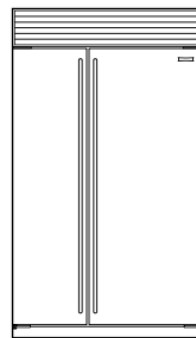
ICBBI-42S



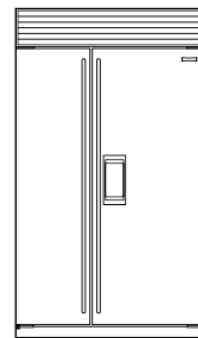
ICBBI-42SID



ICBBI-48S



ICBBI-48SID



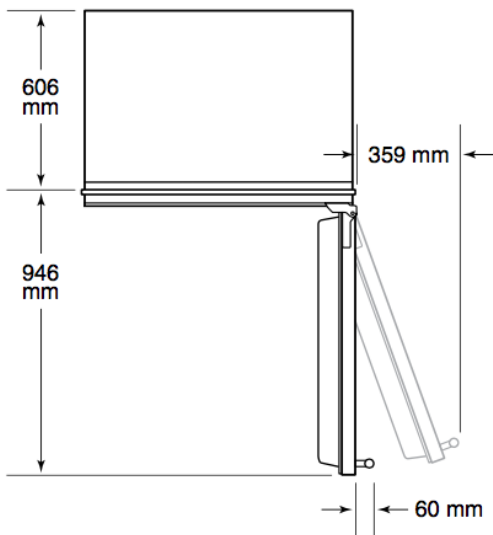
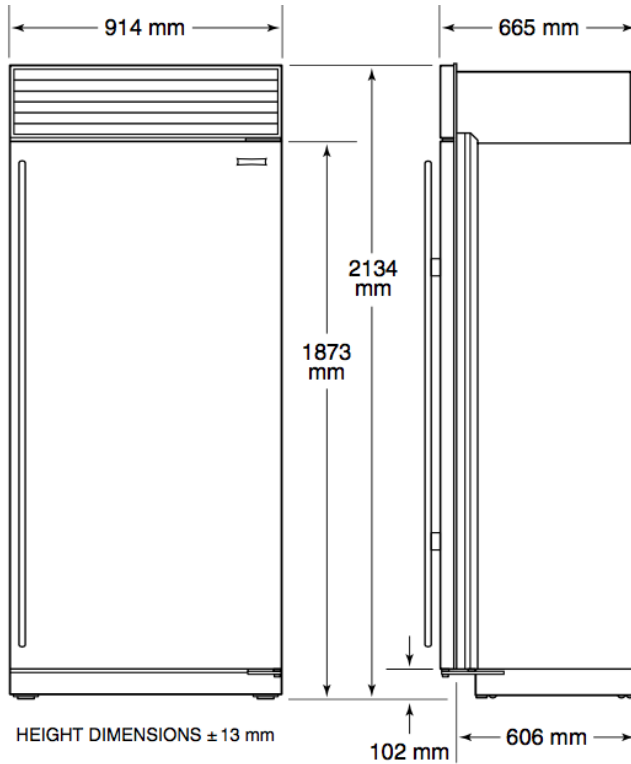
ICBBI-48SD



SUB-ZERO BUILT-IN REFRIGERATION

Overall Dimensions

All Refrigerator/ All Freezer



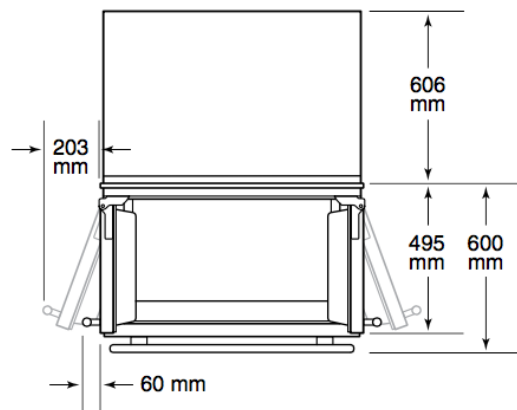
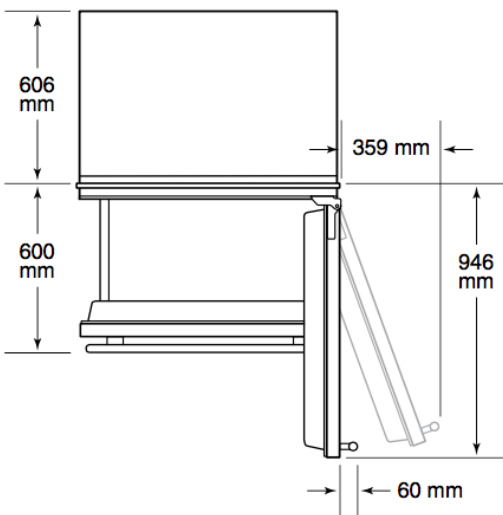
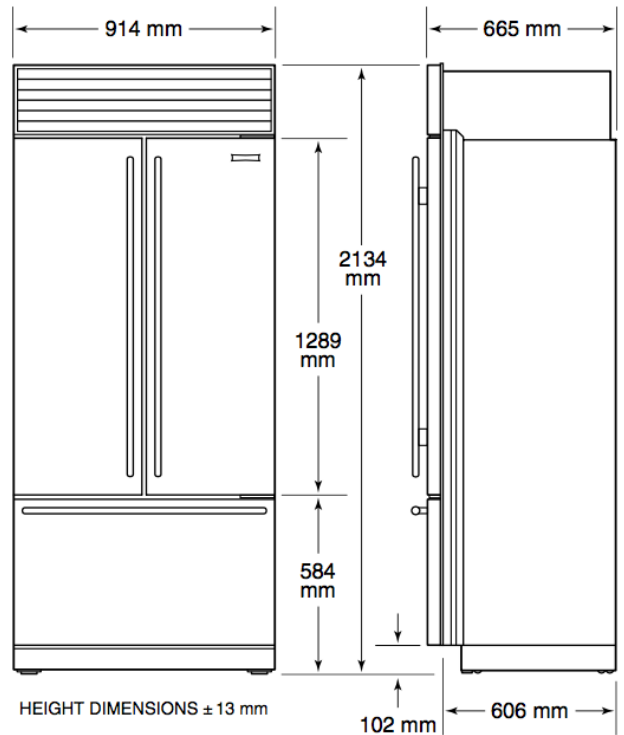
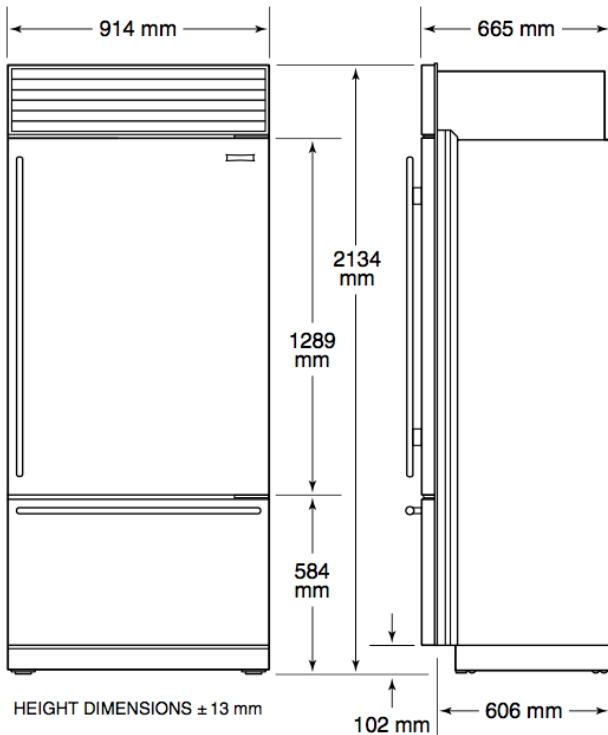
Model ICBBI-36R and ICBBI-36F.

Overall dimensions are based on stainless steel models.
For flush inset applications, add 13 mm to door clearance dimensions.

SUB-ZERO BUILT-IN REFRIGERATION

Overall Dimensions

OVER-AND-UNDER



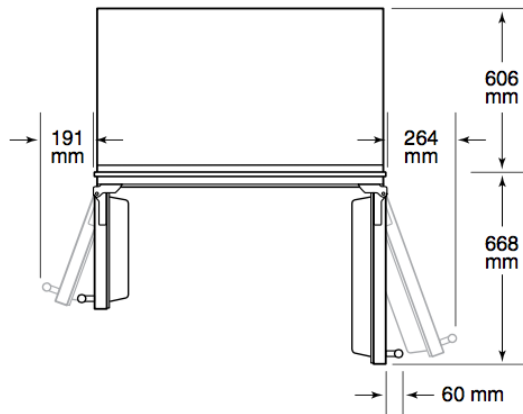
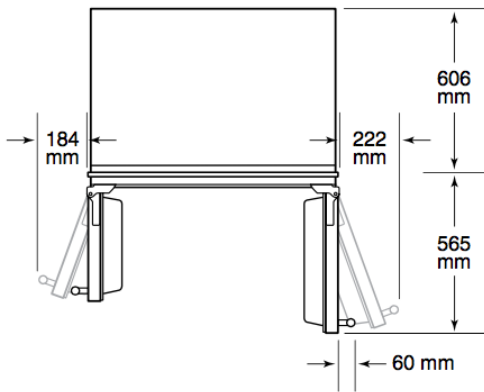
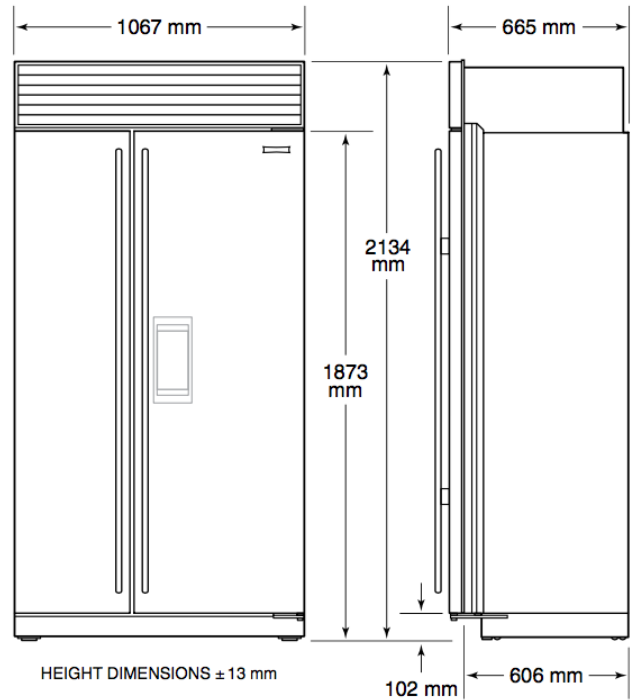
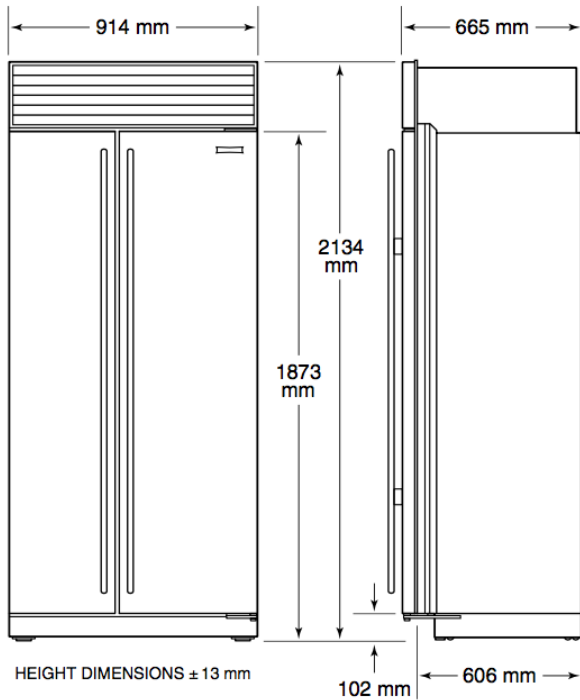
Model ICBBI-36UID.

Model ICBBI-36UFDID.

SUB-ZERO BUILT-IN REFRIGERATION

Overall Dimensions

SIDE-BY-SIDE



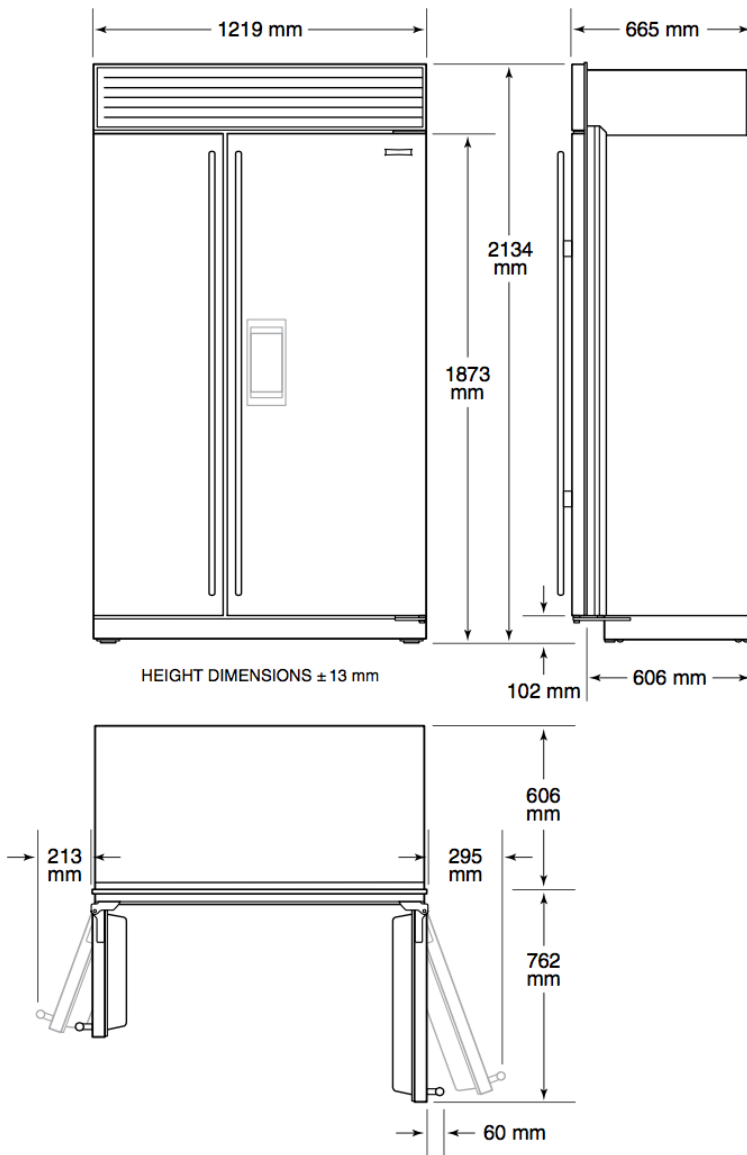
Model ICBBI-36S.

Model ICBBI-42S and ICBBI-42SD.

SUB-ZERO BUILT-IN REFRIGERATION

Overall Dimensions

SIDE-BY-SIDE



Model ICBBI-48S, ICBBI-48SID and ICBBI-48SD.

Specifications

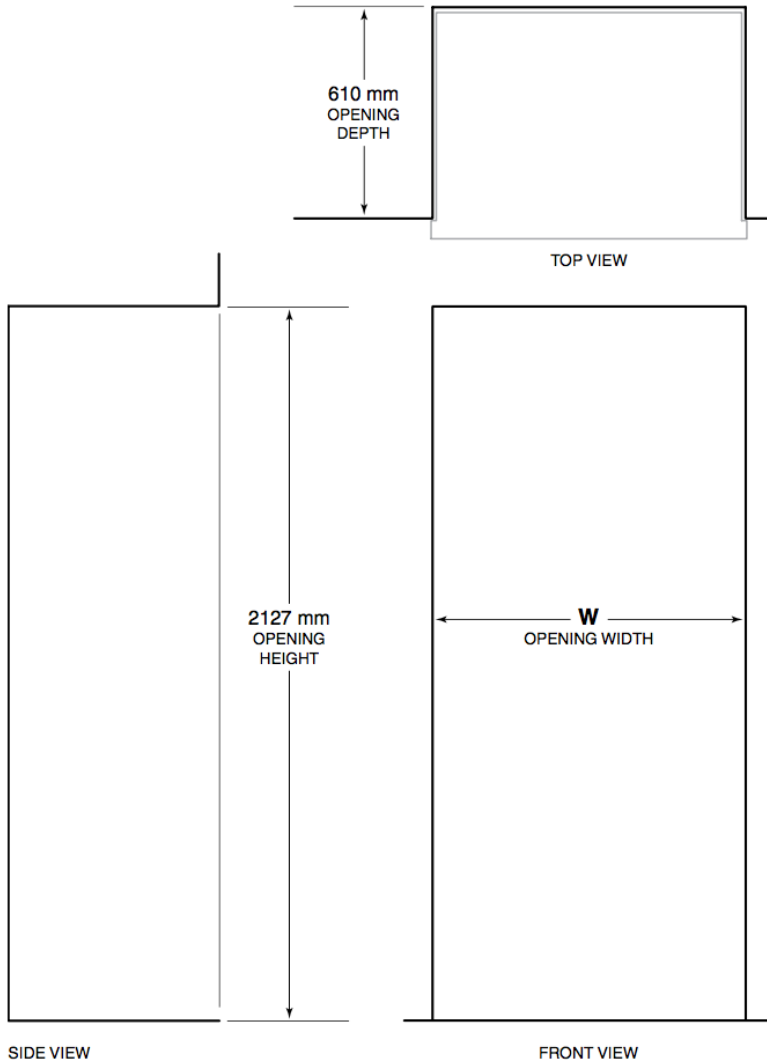
BUILT-IN MODELS

INTERIOR CAPACITY		
ALL REFRIGERATOR / ALL FREEZER	R (L)	F (L)
ICBBI-36R	613	
ICBBI-36F		612
OVER-AND-UNDER	R (L)	F (L)
ICBBI-36UID	367	143
ICBBI-36UFDID	357	144
SIDE-BY-SIDE	R (L)	F (L)
ICBBI-36S	328	225
ICBBI-42S	430	220
ICBBI-42SD	408	194
ICBBI-48S	500	264
ICBBI-48SID	491	244
ICBBI-48SD	478	244

SUB-ZERO BUILT-IN REFRIGERATION

Opening Dimensions

Standard Installation



NOTE: Shaded line represents profile of unit.

OPENING WIDTH	
MODEL	W
ICBBI-36R, ICBBI-36F	902 mm
ICBBI-36UID, ICBBI-36UFDID, ICBBI-36S	902 mm
ICBBI-42S, ICBBI-42SD	1054 mm
ICBBI-48S, ICBBI-48SID, ICBBI-48SD	1206 mm

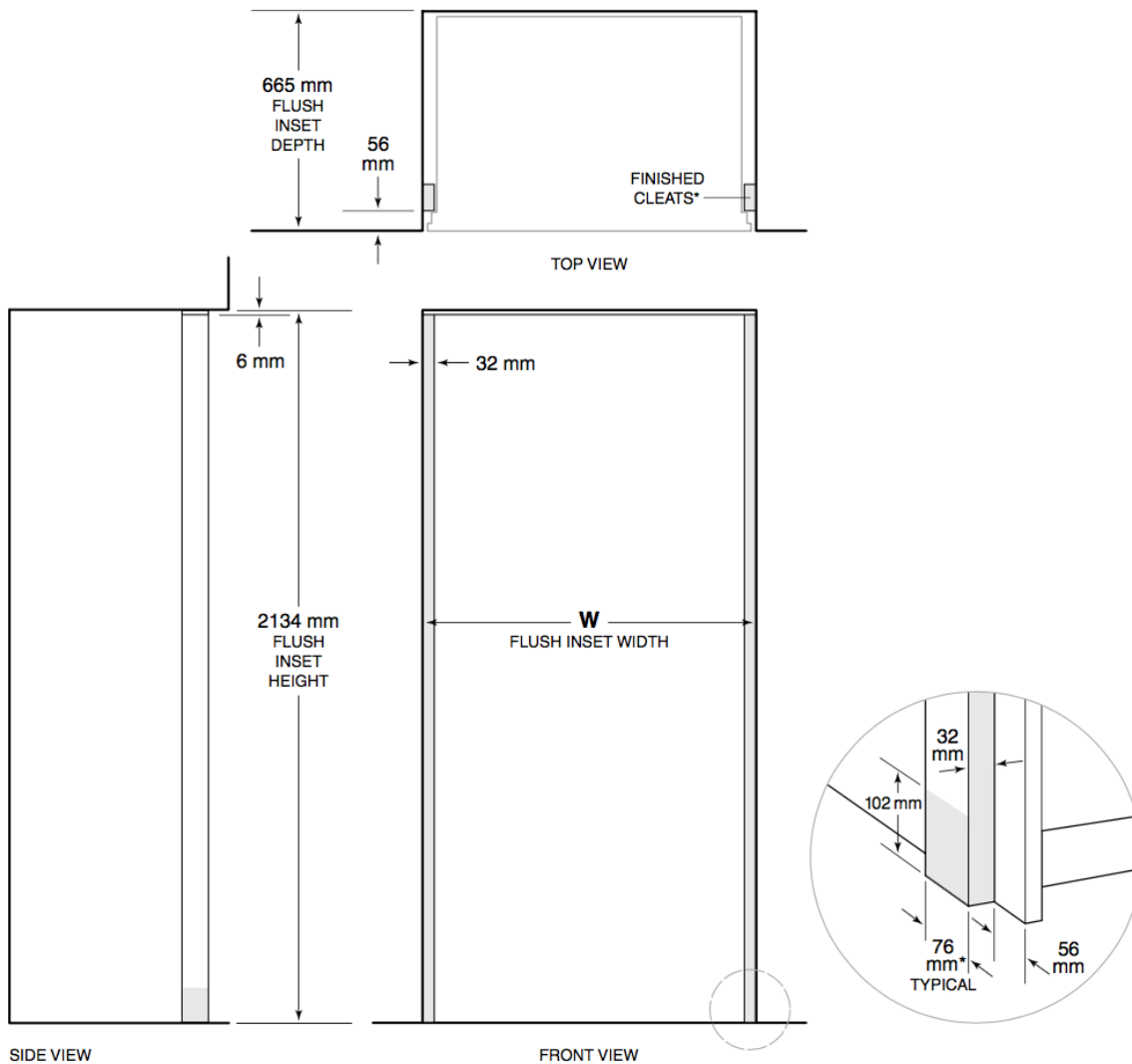
If a 2108 mm grille height is specified, the opening height must be decreased by 22 mm. If a 2235 mm grille height is specified, the opening height must be increased by 102 mm.

If two units are installed side by side, refer to page 10 for dual standard installations.

SUB-ZERO BUILT-IN REFRIGERATION

Opening Dimensions

Flush Inset Installation



*76 mm typical depth. Shaded areas will be visible and should be finished to match cabinetry.

NOTE: Shaded line represents profile of unit with 19 mm panel.

FLUSH INSET WIDTH

MODEL	W
ICBBI-36R, ICBBI-36F	965 mm
ICBBI-36UID, ICBBI-36UFDID, ICBBI-36S	965 mm
ICBBI-42S, ICBBI-42SD	1118 mm
ICBBI-48S, ICBBI-48SID, ICBBI-48SD	1270 mm

Dimensions assume a 19 mm panel thickness.

If a 2108 mm grille height is specified, the flush inset height must be decreased by 22 mm. If a 2235 mm grille height is specified, the flush inset height must be increased by 102 mm.

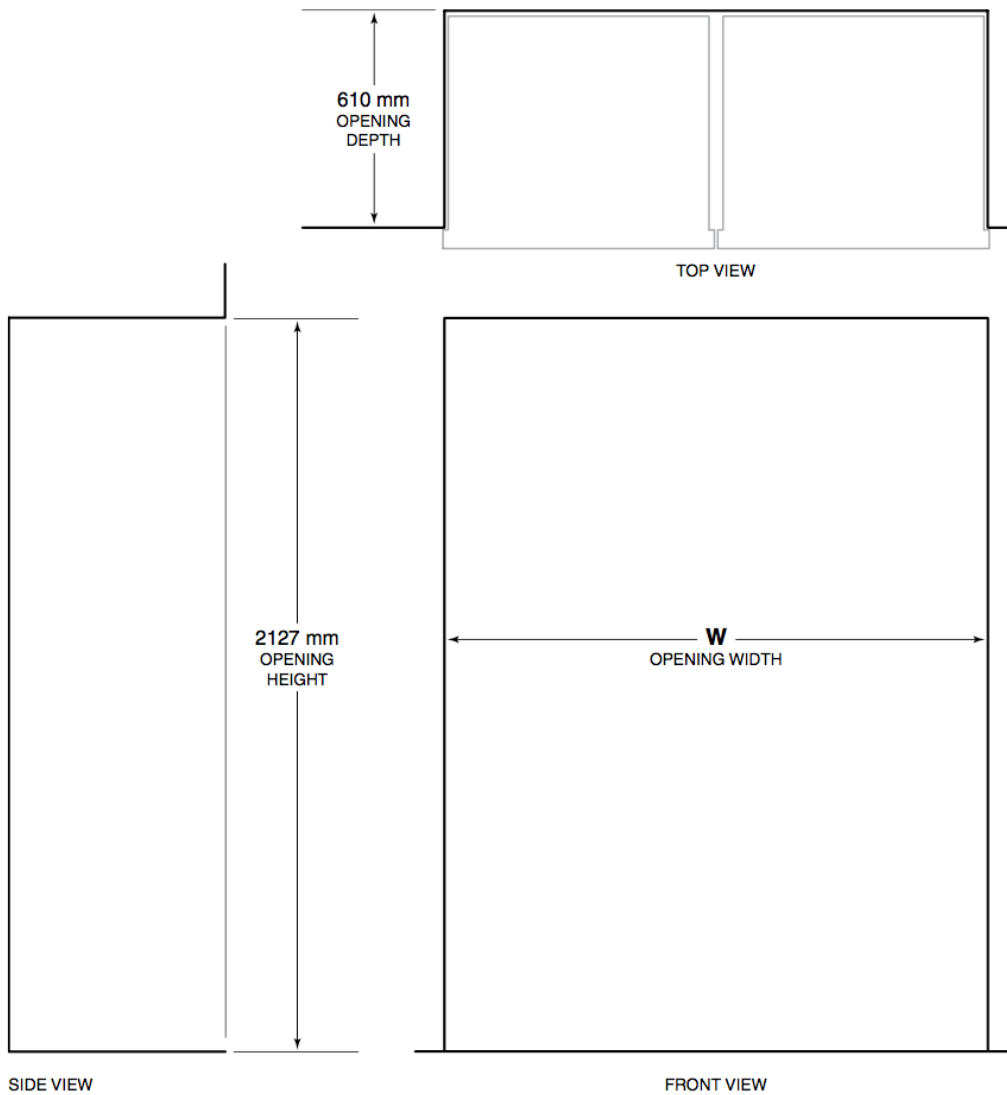
If two units are installed side by side, refer to page 11 for dual flush inset installations.



SUB-ZERO BUILT-IN REFRIGERATION

Opening Dimensions

Dual Standard Installation



NOTE: Shaded line represents profile of unit.

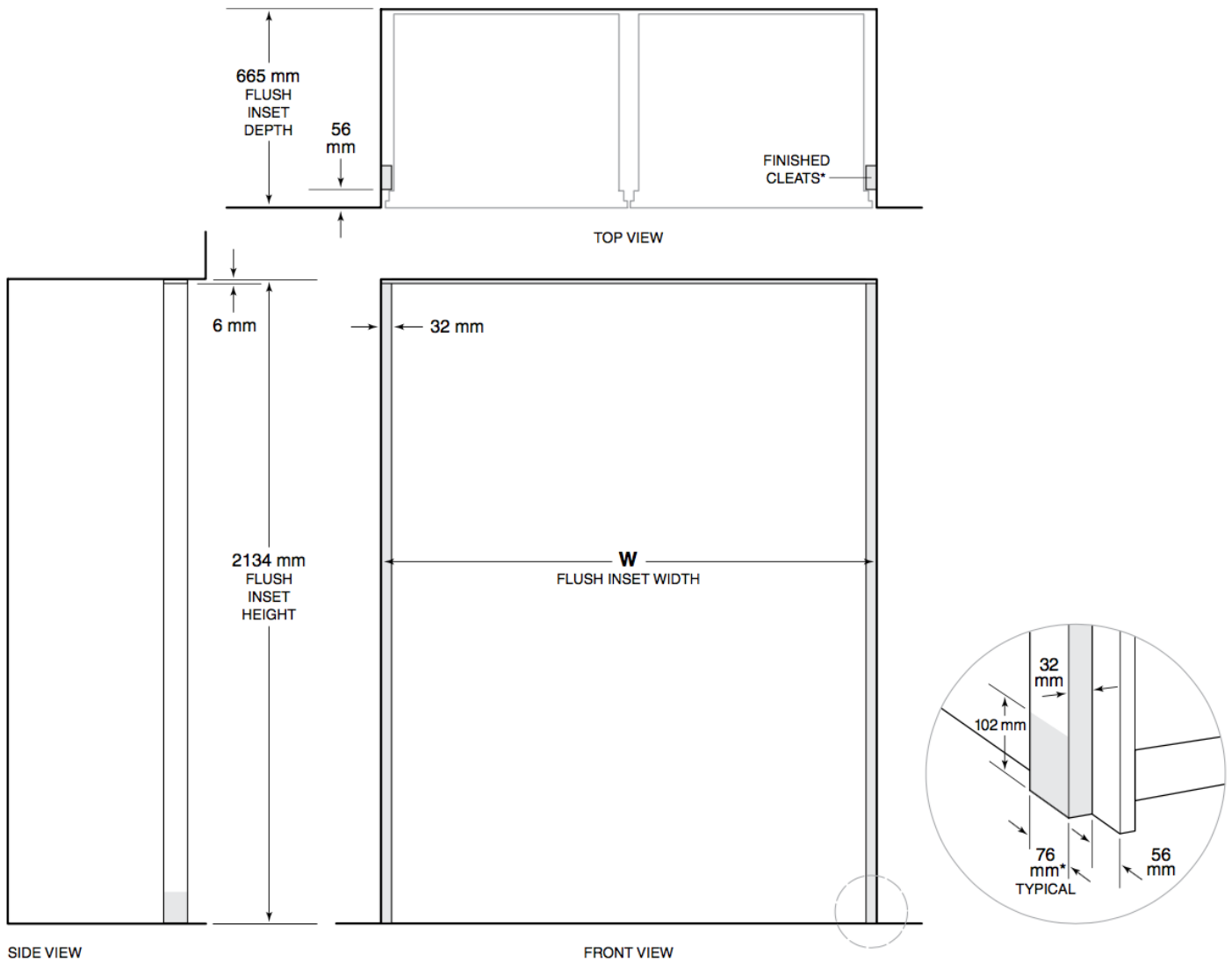
OPENING WIDTH	
MODELS	W
Two 914 mm Models	1822 mm

A dual installation kit will be required for this installation.

SUB-ZERO BUILT-IN REFRIGERATION

Opening Dimensions

Dual Flush Inset Installation



*76 mm typical depth. Shaded areas will be visible and should be finished to match cabinetry.
 NOTE: Shaded line represents profile of unit with 19 mm panel.

FLUSH INSET WIDTH	
MODELS	W
Two 914 mm Models	1886 mm

Dimensions assume a 19 mm panel thickness. A dual installation kit will be required for this installation.

SUB-ZERO BUILT-IN REFRIGERATION

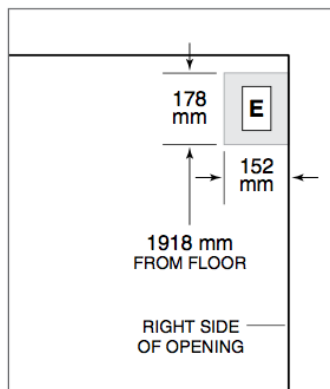
Electrical

International models from the factory designed without a transformer require a 220-240 V AC, 50/60 Hz electrical supply, fused at the correct rating for the unit. If required by local or national codes, the power cord can be easily replaced using the power inlet device.

The electrical supply should be located within the shaded area shown in the illustration below. A separate circuit, servicing only this appliance is required. A ground fault circuit interrupter (GFCI) is not recommended and may cause interruption of operation.

Installation must comply with all applicable electrical codes.

ELECTRICAL REQUIREMENTS	
Power Supply	220-240 V AC, 50/60 Hz
Circuit Breaker	10 amp
Receptacle	grounding-type (earthed)



Electrical supply location.

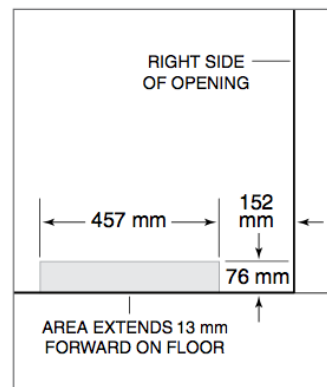
Plumbing

For built-in models with an automatic ice maker, the water supply line should be located within the shaded area shown in the illustration below. The water supply line should be connected to the house supply with an easily accessible shut-off valve. Do not use self-piercing valves. The water supply line must not interfere with installation of the anti-tip brackets.

A reverse osmosis system can be used provided there is constant water pressure of 2.4–8.3 bar supplied to the unit at all times. A copper line is not recommended for this application.

Installation must comply with all applicable plumbing codes.

PLUMBING REQUIREMENTS	
Water Supply Line	6.35 mm OD copper line, braided stainless steel, or PEX tubing
Water Pressure	2.4–8.3 bar
Excess Water Line for Connection	.9 m



Water supply location.