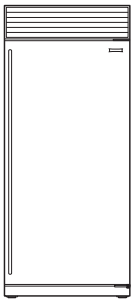


CLASSIC REFRIGERATION

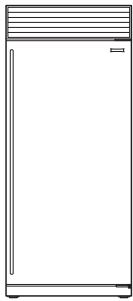
Classic Refrigeration

Sub-Zero designers and engineers continue to perfect the Classic line. The addition of LED lighting throughout and several new models with internal water dispensers, along with the same advanced food preservation technology Sub-Zero is known for, make the Classic line nothing short of revolutionary.

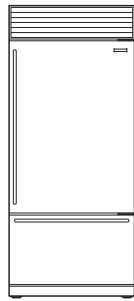
CLASSIC MODELS



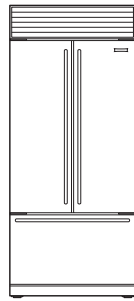
ICBBI-36R



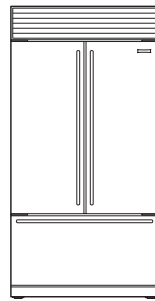
ICBBI-36F



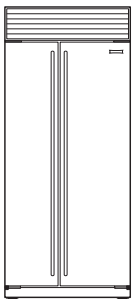
ICBBI-36UID



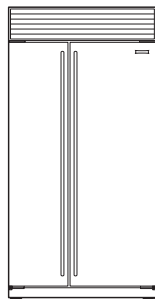
ICBBI-36UFDID



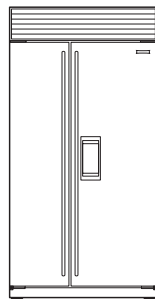
ICBBI-42UFDID



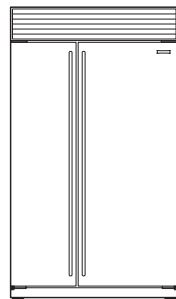
ICBBI-36S



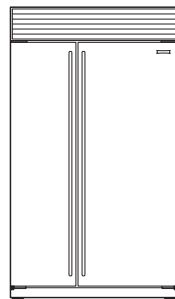
ICBBI-42S



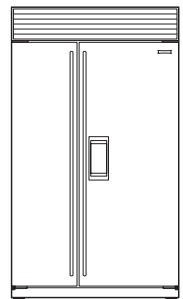
ICBBI-42SD



ICBBI-48S



ICBBI-48SID

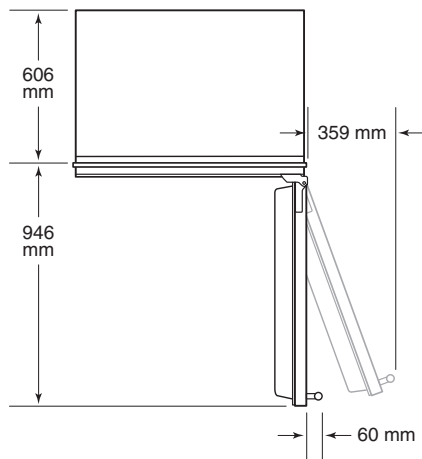
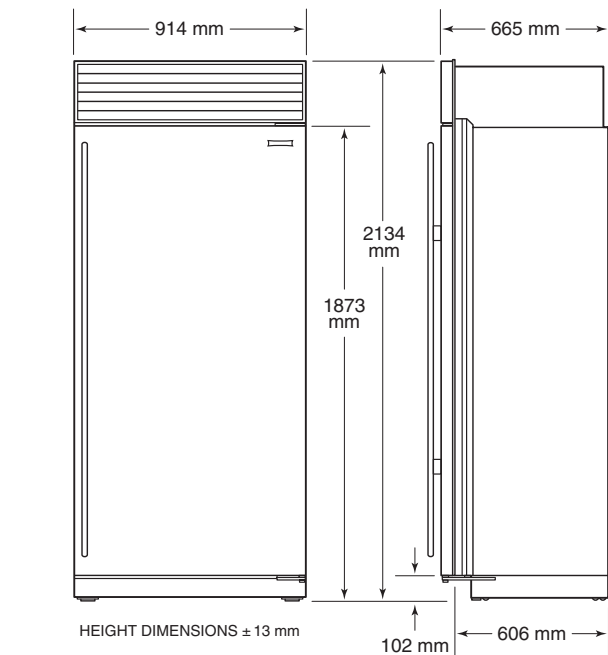


ICBBI-48SD

CLASSIC REFRIGERATION

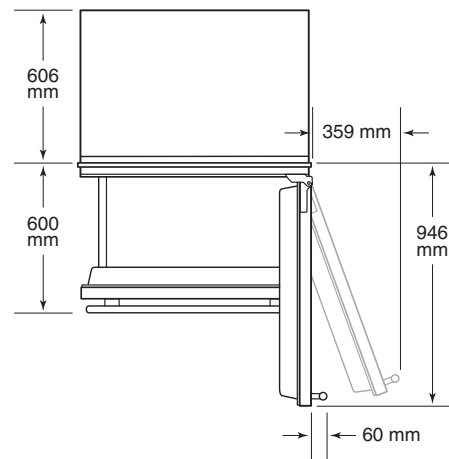
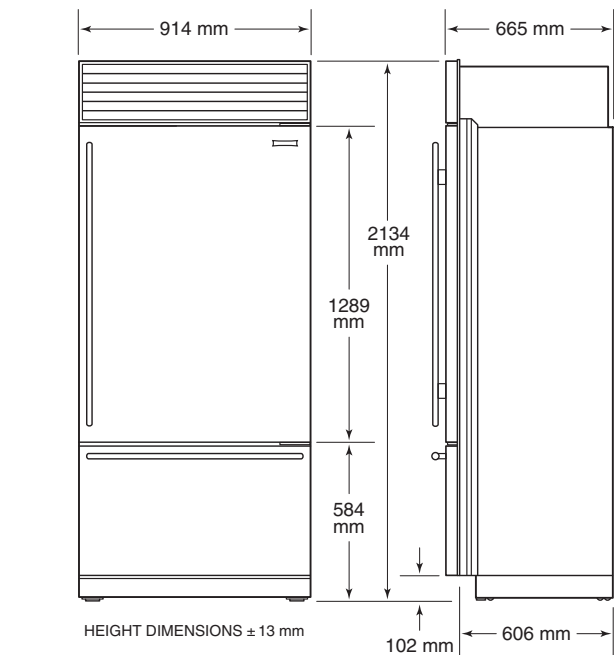
Classic Refrigeration

ALL REFRIGERATOR / ALL FREEZER



Model ICBB1-36R, ICBB1-36F

OVER-AND-UNDER



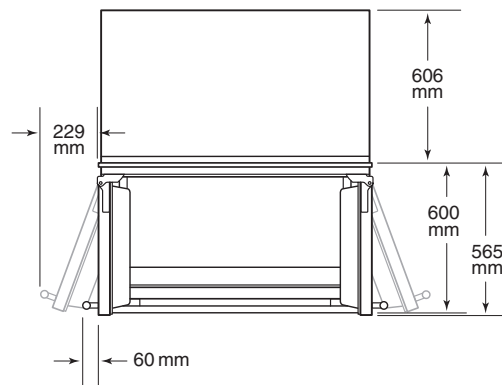
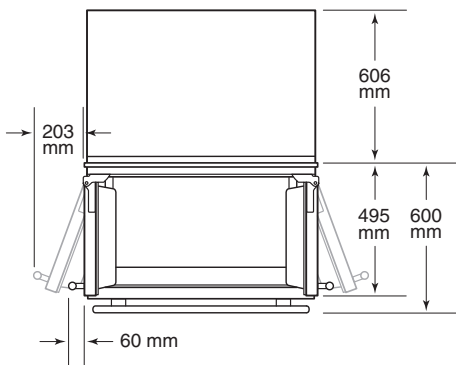
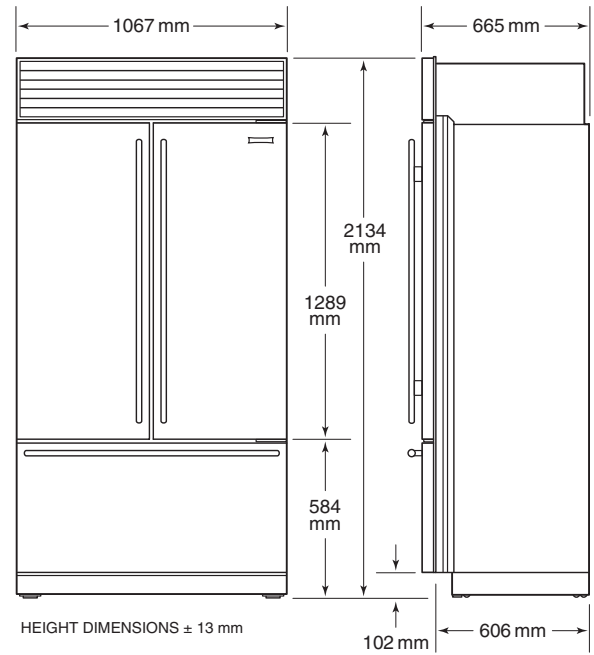
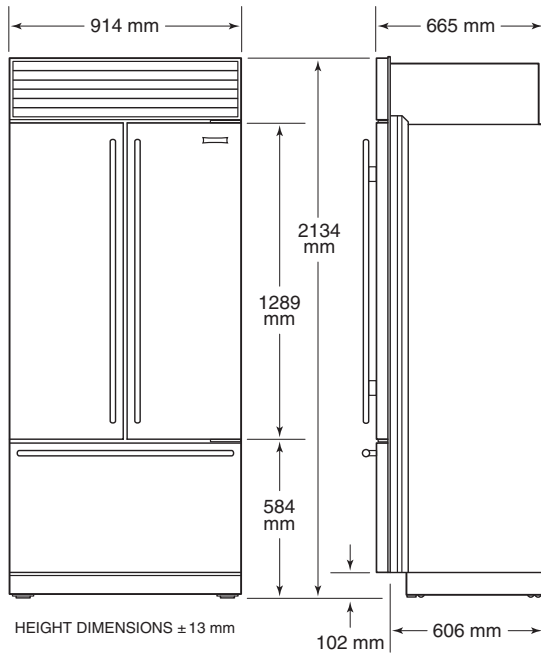
Model ICBB1-36UID

Dimensions are based on stainless steel models.
For flush inset applications, add 13 mm to the door clearance dimensions.

CLASSIC REFRIGERATION

Dimensions

OVER-AND-UNDER



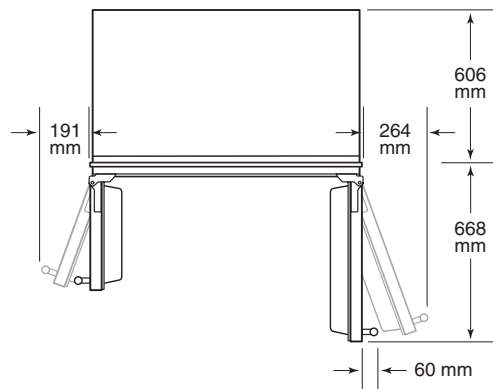
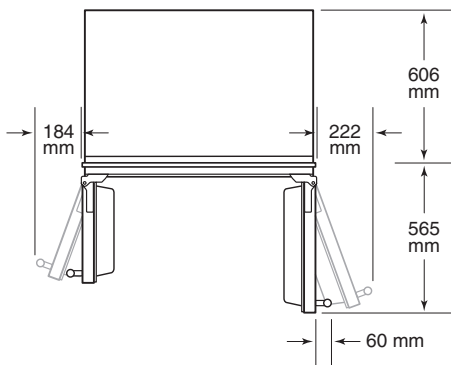
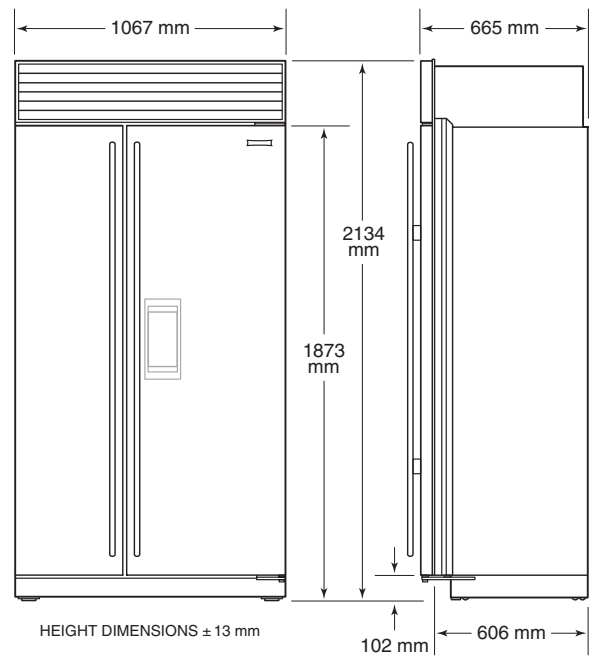
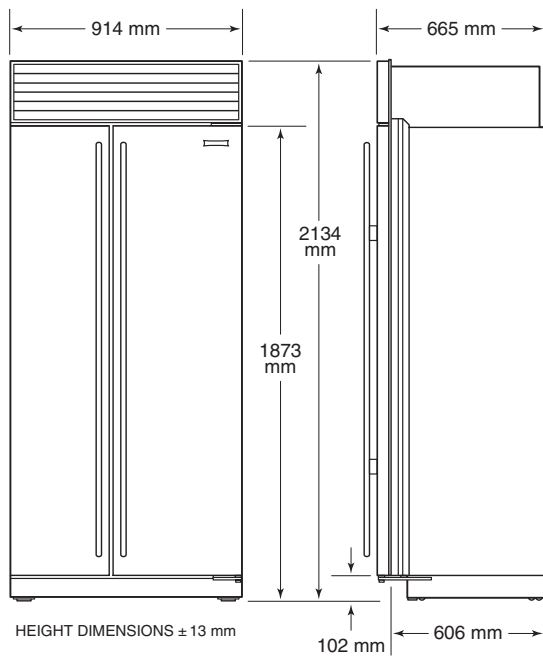
Model ICBBI-36UFDID

Model ICBBI-42UFDID

CLASSIC REFRIGERATION

Classic Refrigeration

SIDE-BY-SIDE



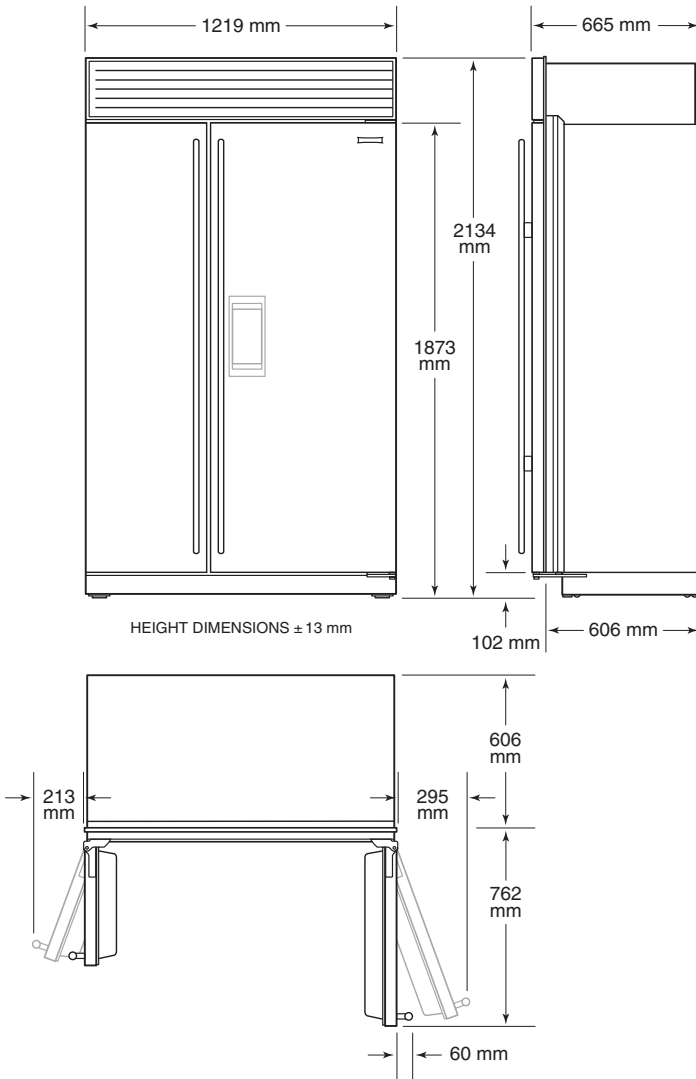
Model ICBBI-36S

Model ICBBI-42S, ICBBI-42SD

CLASSIC REFRIGERATION

Dimensions

SIDE-BY-SIDE



Model ICBBI-48S, ICBBI-48SID, ICBBI-48SD

Specifications

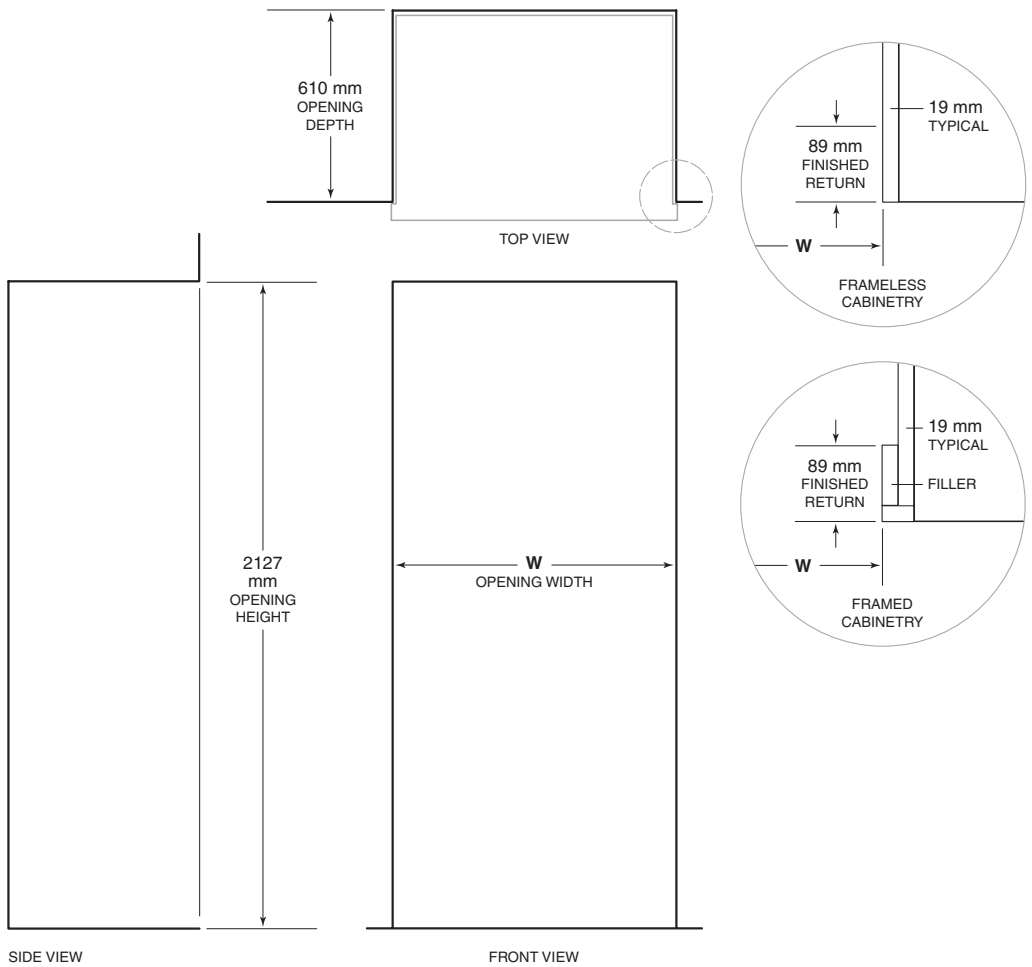
INTERIOR CAPACITY

ALL REFRIGERATOR / ALL FREEZER	R (L)	F (L)
ICBBI-36R	613	
ICBBI-36F		612
OVER-AND-UNDER	R (L)	F (L)
ICBBI-36UID	367	143
ICBBI-36UFDID	357	144
ICBBI-42UFDID	483	171
SIDE-BY-SIDE	R (L)	F (L)
ICBBI-36S	328	225
ICBBI-42S	430	220
ICBBI-42SD	408	194
ICBBI-48S	500	264
ICBBI-48SID	491	244
ICBBI-48SD	478	244

CLASSIC REFRIGERATION

Opening Dimensions

STANDARD INSTALLATION



NOTE: 89 mm finished returns will be visible and should be finished to match cabinetry. Shaded line represents profile of unit.

OPENING WIDTH	W
914 mm Model	902 mm
1067 mm Model	1054 mm
1219 mm Model	1206 mm

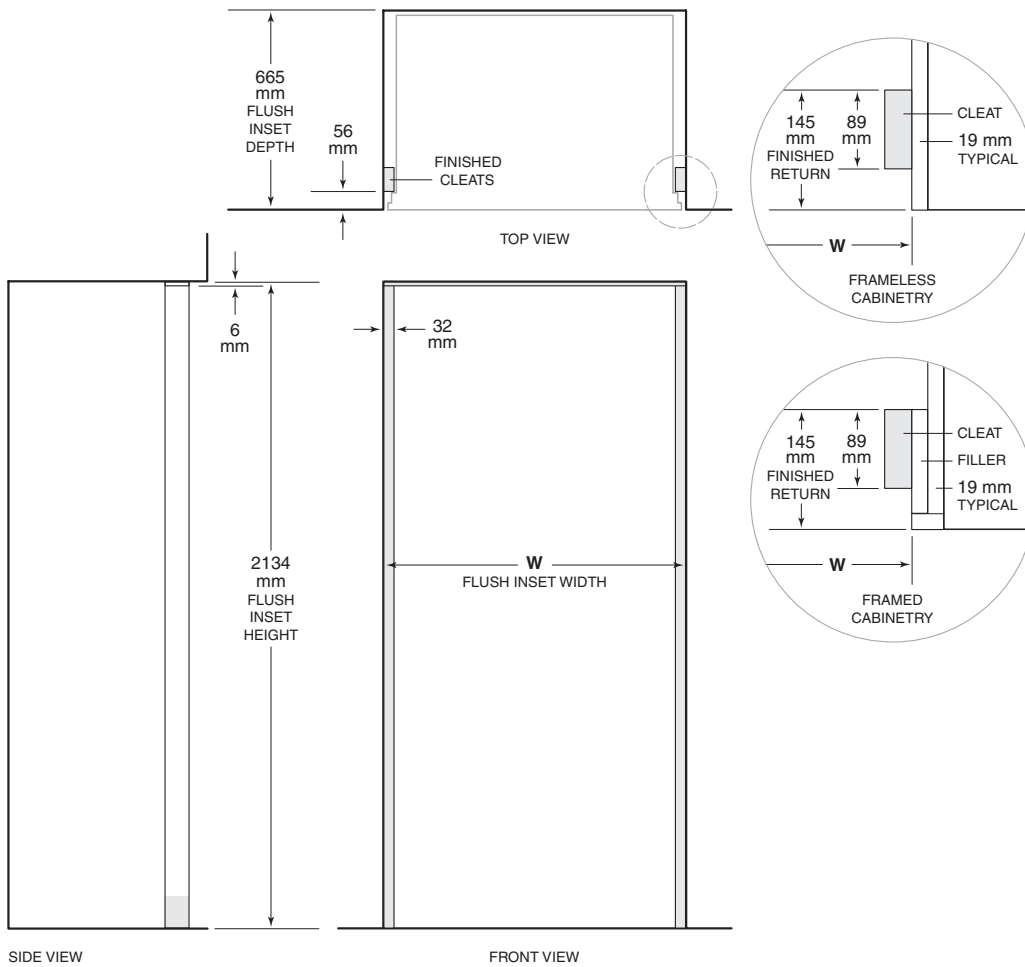
If a 2108 mm grille height is specified, the opening height must be decreased by 22 mm. If a 2235 mm grille height is specified, the opening height must be increased by 102 mm.

If two units are installed side by side, refer to page 10 for dual standard installations.

CLASSIC REFRIGERATION

Opening Dimensions

FLUSH INSET INSTALLATION



NOTE: 89 mm finished returns and shaded areas will be visible and should be finished to match cabinetry. Shaded line represents profile of unit with 19 mm panel.

FLUSH INSET WIDTH	W
914 mm Model	965 mm
1067 mm Model	1118 mm
1219 mm Model	1270 mm

Dimensions assume a 19 mm panel thickness.

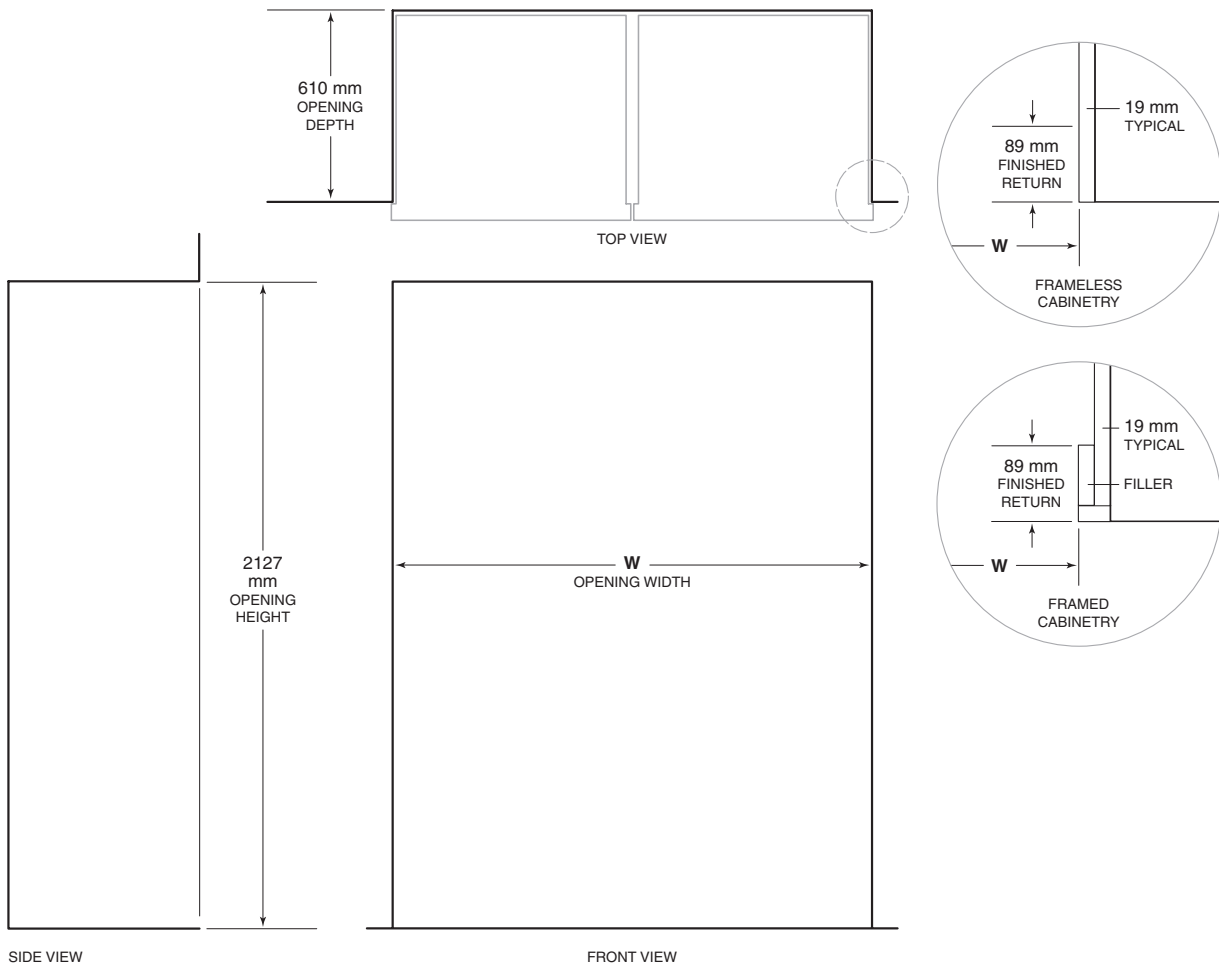
If a 2108 mm grille height is specified, the flush inset height must be decreased by 22 mm. If a 2235 mm grille height is specified, the flush inset height must be increased by 102 mm.

If two units are installed side by side, refer to page 11 for dual flush inset installations.

CLASSIC REFRIGERATION

Opening Dimensions

DUAL STANDARD INSTALLATION



SIDE VIEW

FRONT VIEW

NOTE: 89 mm finished returns will be visible and should be finished to match cabinetry.
Shaded line represents profile of unit.

OPENING WIDTH

W

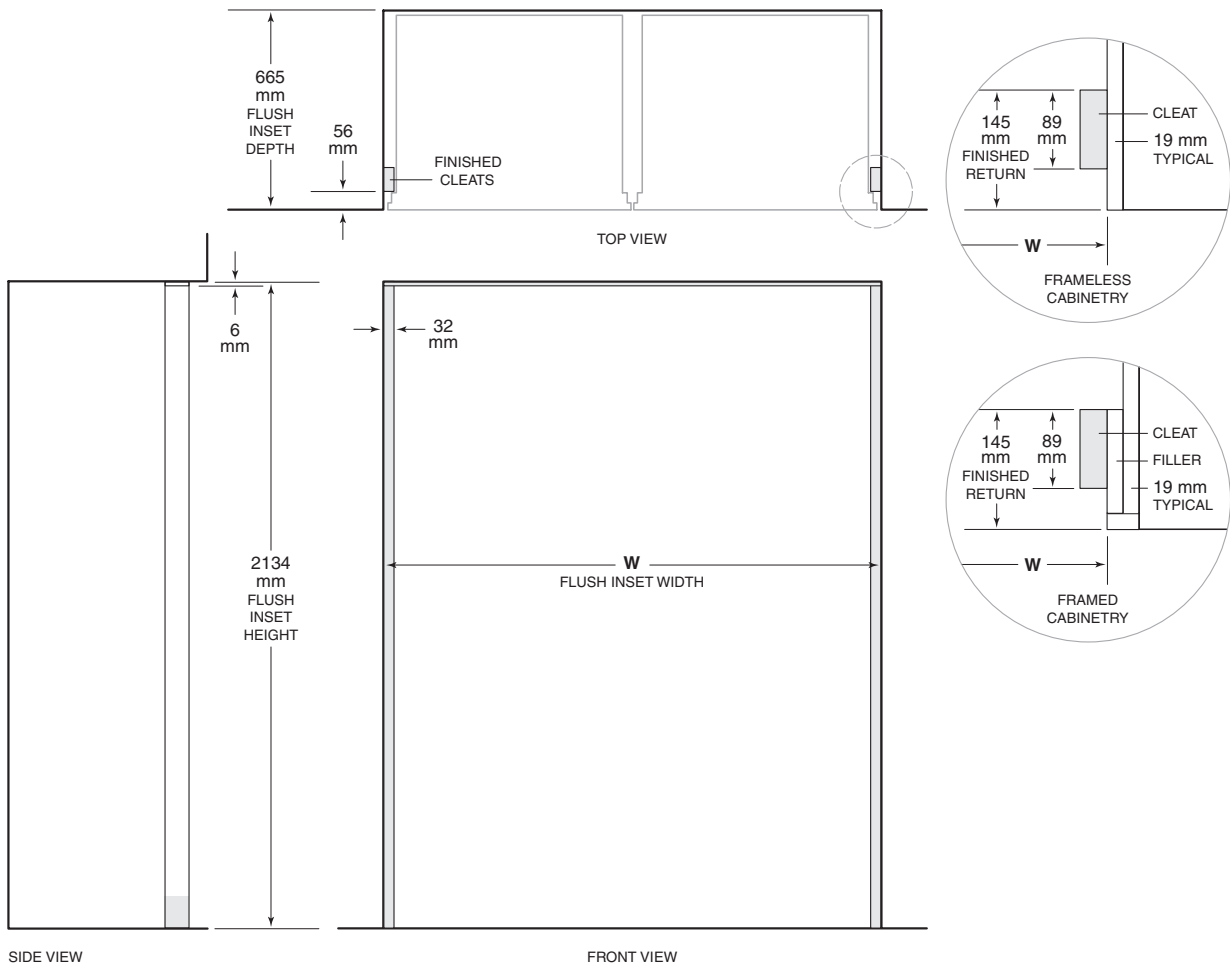
Two 914 mm Models

1822 mm

A dual installation kit will be required for this installation.

Opening Dimensions

DUAL FLUSH INSET INSTALLATION



NOTE: 89 mm finished returns and shaded areas will be visible and should be finished to match cabinetry. Shaded line represents profile of unit with 19 mm panel.

FLUSH INSET WIDTH	W
Two 914 mm Models	1886 mm

Dimensions assume a 19 mm panel thickness. A dual installation kit will be required for this installation.

CLASSIC REFRIGERATION

Electrical Requirements

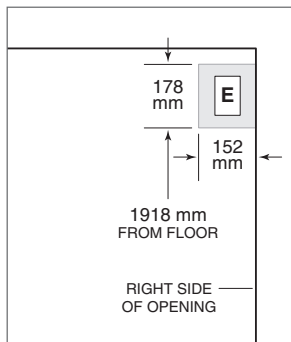
Installation must comply with all applicable electrical codes and be properly grounded (earthed).

International models from the factory designed without a transformer require a 220-240 V AC, 50/60 Hz electrical supply, fused at the correct rating for the unit. If required by local or national codes, the power cord can be easily replaced using the power inlet device.

The electrical supply should be located within the shaded area shown in the illustration below. A separate circuit servicing only this appliance is required. A ground fault circuit interrupter (GFCI) is not recommended and may cause interruption of operation.

ELECTRICAL REQUIREMENTS

Power Supply	220-240 V AC, 50/60 Hz
Circuit Breaker	10 amp
Receptacle	grounding-type (earthed)



Electrical supply location

Plumbing Requirements

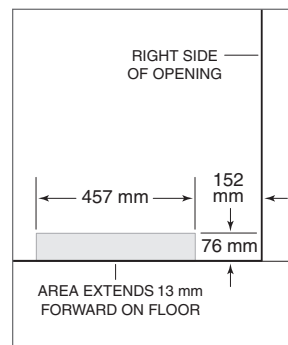
Installation must comply with all applicable plumbing codes.

For Classic models with an automatic ice maker, the water supply line should be located within the shaded area shown in the illustration below. The water supply line should be connected to the house supply with an easily accessible shut-off valve. Do not use self-piercing valves. The water supply line must not interfere with installation of the anti-tip brackets.

A reverse osmosis system can be used provided there is constant water pressure of 2.4–8.3 bar supplied to the unit at all times. A copper line is not recommended for this application.

PLUMBING REQUIREMENTS

Water Supply Line	6.4 mm OD copper line, braided stainless steel, or PEX tubing
Water Pressure	2.4–8.3 bar
Excess Water Line for Connection	.9 m



Water supply location

Custom Panels

For overlay and flush inset applications, custom door panels must be provided. Handle hardware must also be provided for overlay and flush inset applications. Refer to panel requirements below and the charts on pages 15–16 for custom panel dimensions for your specific design application.

IMPORTANT NOTE: Do not cover a glass door with a solid panel.

Finish all sides of the custom panels. They may be visible when the door is open or through the window of a glass door model.

PANEL REQUIREMENTS

PANEL WEIGHT	MAX
ICBBI-36R, ICBBI-36F	34 kg
All Other Models	23 kg
Grille Panel	6 kg
PANEL THICKNESS	MIN
All Panels	16 mm

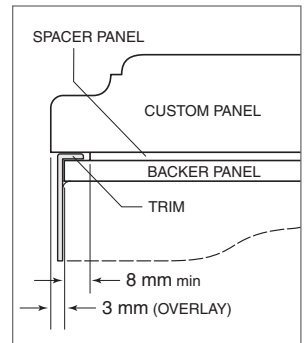
PANEL MOUNTING KIT

A Sub-Zero custom panel mounting kit eliminates the need for a backer and spacer panel and is available through an authorized Sub-Zero dealer. The kit consists of mounting cleats, screws, and gages used to properly position the cleats. The kit is available for all Classic models. Dual installations require two mounting kits.

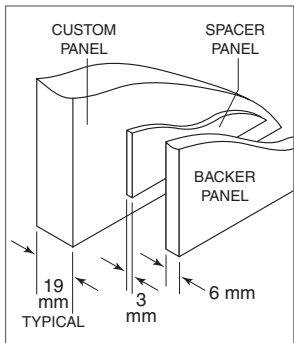
OVERLAY PANELS

Overlay panels are typically created by combining a 19 mm custom panel, a 3 mm spacer panel, and a 6 mm backer panel. Refer to the illustrations below.

When installing two units side by side, refer to page 10 for dual standard installations.



Panel assembly cross section (overlay)



Panel assembly rear view (overlay)

Custom Panels

FLUSH INSET PANELS

The flush inset application is an overlay model with flush inset panels. It is not a separate model.

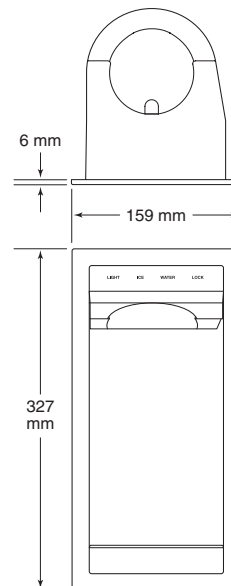
The flush inset design allows custom panels to be installed flush with adjacent cabinets. Similar to overlay, flush inset panels are typically created by combining a 19 mm custom panel, a 3 mm spacer panel and a 6 mm backer panel. Refer to the illustrations for overlay panels.

For flush inset panels thicker than 19 mm, a 90° door stop may be required to prevent interference with adjacent cabinets. Refer to the full-scale templates at the end of this guide.

When installing two units side by side, refer to page 11 for dual flush inset installations.

ICE AND WATER DISPENSER

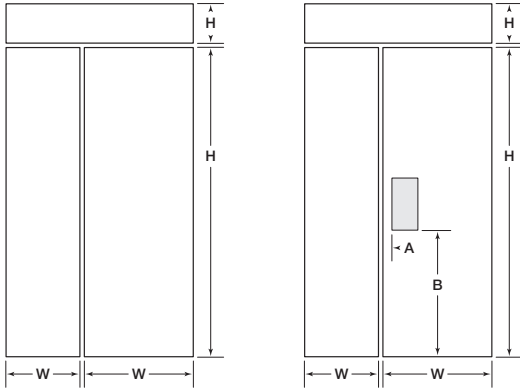
For models ICBBI-42SD and ICBBI-48SD, the refrigerator door panel must include a cutout to accommodate the external dispenser. The bezel will accommodate a 19 mm thick panel. Panels thicker than 19 mm must be routed in the dispenser area to 29 mm (including backer and spacer panels). Refer to the illustration below.



Dispenser dimensions

CLASSIC REFRIGERATION

Overlay Panel Dimensions



ICBBI-42S, ICBBI-48S,
ICBBI-48SID

ICBBI-48SD

MODEL ICBBI-42S

	W	H
REFRIGERATOR		
Overlay Panel	637 mm	1772 mm
Spacer Panel	614 mm	1751 mm
Backer Panel	630 mm	1767 mm
FREEZER		
Overlay Panel	424 mm	1772 mm
Spacer Panel	402 mm	1751 mm
Backer Panel	418 mm	1767 mm
GRILLE		
Overlay Panel	1067 mm	235 mm*
Spacer Panel	1045 mm	211 mm
Backer Panel	1060 mm	227 mm

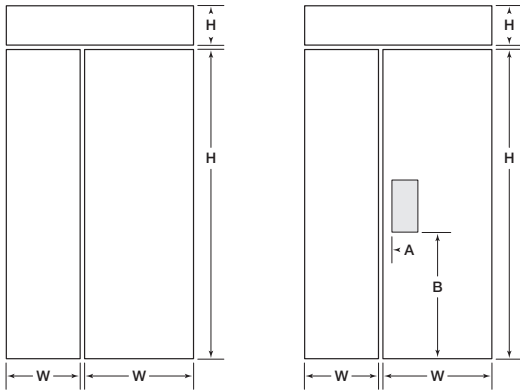
MODEL ICBBI-48S, ICBBI-48SID, ICBBI-48SD

	W	H
REFRIGERATOR		
Overlay Panel	730 mm	1772 mm
Spacer Panel	708 mm	1751 mm
Backer Panel	724 mm	1767 mm
FREEZER		
Overlay Panel	483 mm	1772 mm
Spacer Panel	460 mm	1751 mm
Backer Panel	476 mm	1767 mm
GRILLE		
Overlay Panel	1219 mm	235 mm*
Spacer Panel	1197 mm	211 mm
Backer Panel	1213 mm	227 mm
ICBBI-48SD		
Dispenser Cutout	149 mm	316 mm
	A	B
Cutout Location	51 mm	732 mm

*Panel height may be increased by 11 mm to hide the upper main frame.
Grille panel dimensions are for a standard 2134 mm overall unit height. For a 2108 mm height, subtract 25 mm from the grille panel height dimensions and for a 2235 mm height, add 102 mm. A specific panel grille must be ordered for a 2108 mm or 2235 mm overall unit height.

CLASSIC REFRIGERATION

Flush Inset Panel Dimensions



ICBBI-42S, ICBBI-48S,
ICBBI-48SID

ICBBI-48SD

MODEL ICBBI-42S

REFRIGERATOR	W	H
Flush Inset Panel	649 mm	1772 mm
Spacer Panel	614 mm	1751 mm
Backer Panel	630 mm	1767 mm
FREEZER	W	H
Flush Inset Panel	437 mm	1772 mm
Spacer Panel	402 mm	1751 mm
Backer Panel	418 mm	1767 mm
GRILLE	W	H
Flush Inset Panel	1092 mm	235 mm
Spacer Panel	1045 mm	211 mm
Backer Panel	1060 mm	227 mm

MODEL ICBBI-48S, ICBBI-48SID, ICBBI-48SD

REFRIGERATOR	W	H
Flush Inset Panel	743 mm	1772 mm
Spacer Panel	708 mm	1751 mm
Backer Panel	724 mm	1767 mm
FREEZER	W	H
Flush Inset Panel	495 mm	1772 mm
Spacer Panel	460 mm	1751 mm
Backer Panel	476 mm	1767 mm
GRILLE	W	H
Flush Inset Panel	1245 mm	235 mm
Spacer Panel	1197 mm	211 mm
Backer Panel	1213 mm	227 mm
DISPENSER (ICBBI-48SD)	W	H
Cutout	149 mm	316 mm
	A	B
Cutout Location	51 mm	732 mm

Grille panel dimensions are for a standard 2134 mm overall unit height. For a 2108 mm height, subtract 25 mm from the grille panel height dimensions and for a 2235 mm height, add 102 mm. A specific panel grille must be ordered for a 2108 mm or 2235 mm overall unit height.

Flush Inset Panels

PANEL OFFSET

The illustrations provide panel offsets and reveals for Classic models in a flush inset application. Refer to the chart below for reference to the illustrations.

PANEL OFFSET

ALL REFRIGERATOR / ALL FREEZER

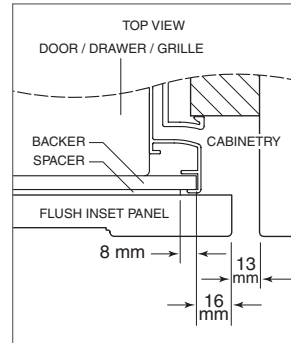
	ILLUS
Door / Grille Sides	A
Grille Top	C
Grille Bottom / Door Top	D
Door Bottom	F

OVER-AND-UNDER

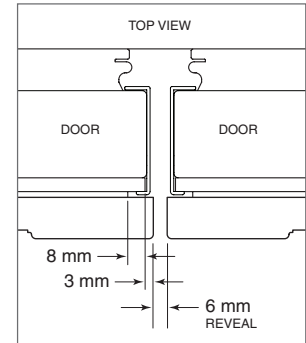
	ILLUS
Door / Drawer / Grille Sides	A
Grille Top	C
Grille Bottom / Door Top	D
Door Bottom / Drawer Top	E
Drawer Bottom	F

SIDE-BY-SIDE

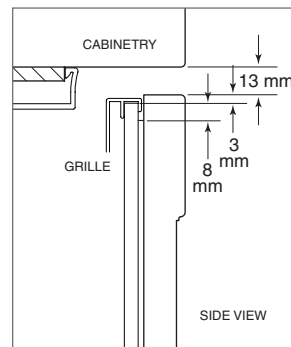
	ILLUS
Doors (hinge) / Grille Sides	A
Doors (handle) Sides	B
Grille Top	C
Grille Bottom / Door Top	D
Door Bottom	F



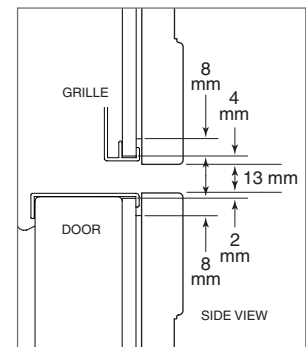
Illus. A



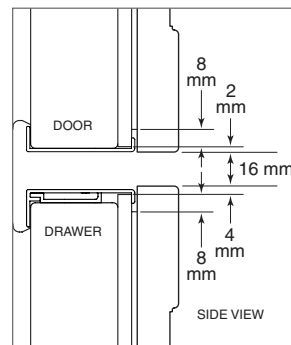
Illus. B



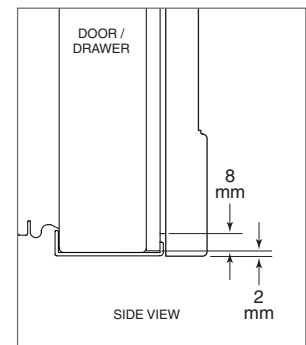
Illus. C



Illus. D



Illus. E

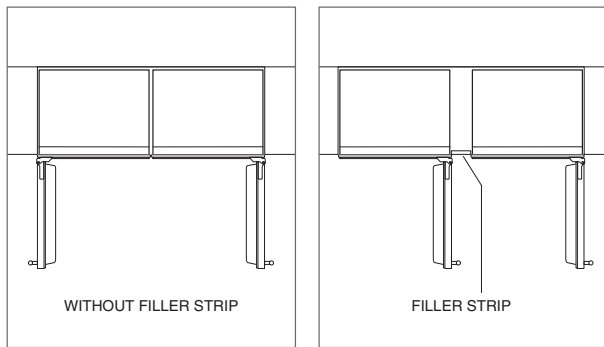


Illus. F

Dual Installation

If two units are installed side by side, a dual installation kit may be required. Installations without a custom filler strip require a dual installation kit. If a dual installation kit is not specified, a 51 mm filler strip is recommended between the units. A custom filler strip is required when installing two French door or side-by-side models. Dual installations without a filler strip can only be accomplished using two units with opposite hinges. Refer to the illustrations below.

Dual installation kits are available through an authorized Sub-Zero dealer. For questions regarding the installation, contact your authorized Sub-Zero dealer.



Opposite hinges

Same side hinges

For dual standard installations, panel dimensions are the same as for single installations. Refer to the charts on pages 15–16. Panel dimensions and offsets for dual flush inset installations are listed on the following pages.

DUAL WIDE GRILLE

A dual wide grille spans the entire width of both units in a dual installation and is a part of a dual installation kit.

For overlay and flush inset panel dimensions for the dual wide grille, refer to the charts. Dimensions listed are for a standard 2134 mm finished height.

DUAL WIDE GRILLE—OVERLAY

TWO 914 mm MODELS	W	H
Overlay Panel	1835 mm	235 mm
Spacer Panel	1813 mm	211 mm
Backer Panel	1829 mm	227 mm

DUAL WIDE GRILLE—FLUSH INSET

TWO 914 mm MODELS	W	H
Flush Inset Panel	1861 mm	235 mm
Spacer Panel	1813 mm	211 mm
Backer Panel	1829 mm	227 mm

Dual Installation

DUAL FLUSH INSET PANEL OFFSET

The illustrations provide panel offsets and reveals for Classic models in a dual flush inset application. Refer to the chart below for reference to the illustrations.

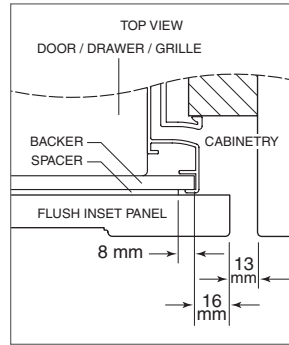
PANEL OFFSET

ALL REFRIGERATOR / ALL FREEZER

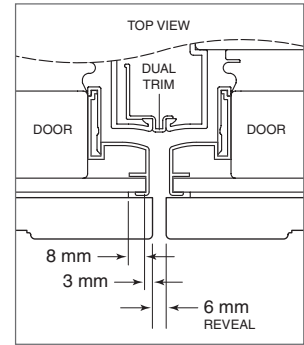
	ILLUS
Door (hinge) / Grille Sides	A
Door (handle) Sides	B
Grille Top	C
Grille Bottom / Door Top	D
Door Bottom	F

OVER-AND-UNDER

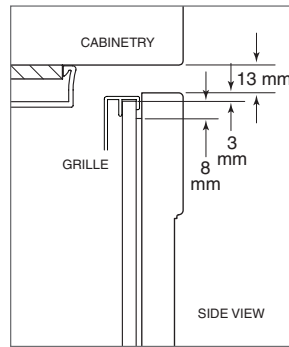
	ILLUS
Door (hinge) / Drawer / Grille Sides	A
Door (handle) Sides	B
Grille Top	C
Grille Bottom / Door Top	D
Door Bottom / Drawer Top	E
Drawer Bottom	F



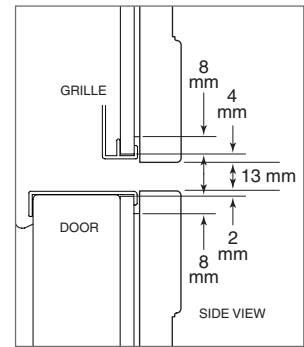
Illus. A



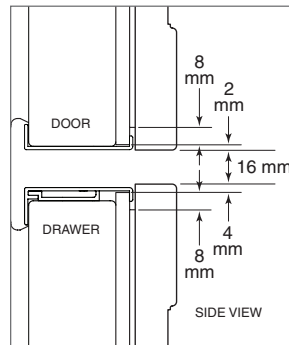
Illus. B



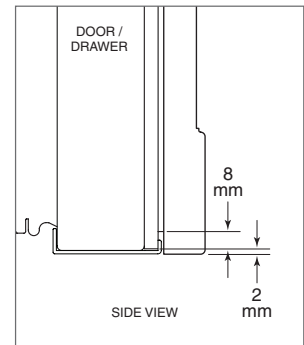
Illus. C



Illus. D



Illus. E



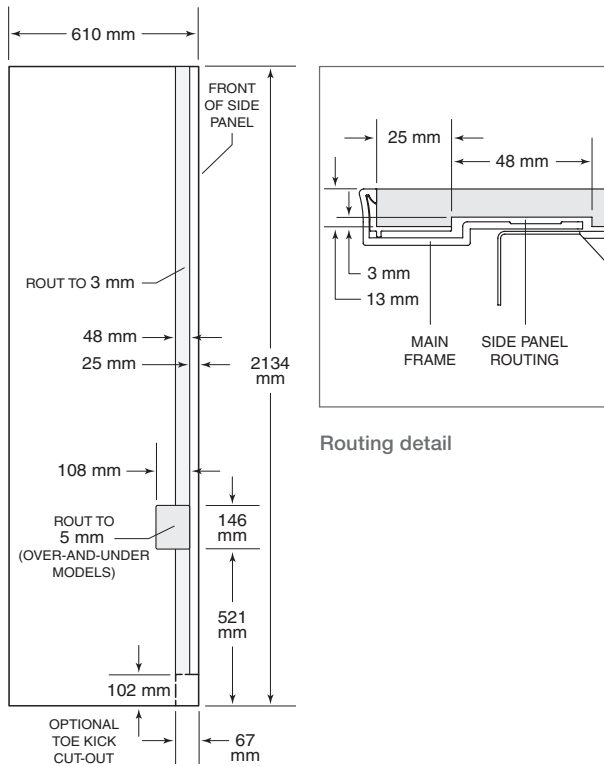
Illus. F

CLASSIC REFRIGERATION

Side Panel

The custom side panels must be a minimum of 610 mm deep and 13 mm thick. Routing will be necessary for the side panel to fit flush against the side of the unit. Refer to the illustrations below.

When installing a Classic unit with a custom side panel, an accessory kit is required. Stainless steel and white enamel side panels are available through an authorized Sub-Zero dealer.



Side panel dimensions

Standard Handles

Optional stainless steel tubular and pro handles are available through an authorized Sub-Zero dealer.

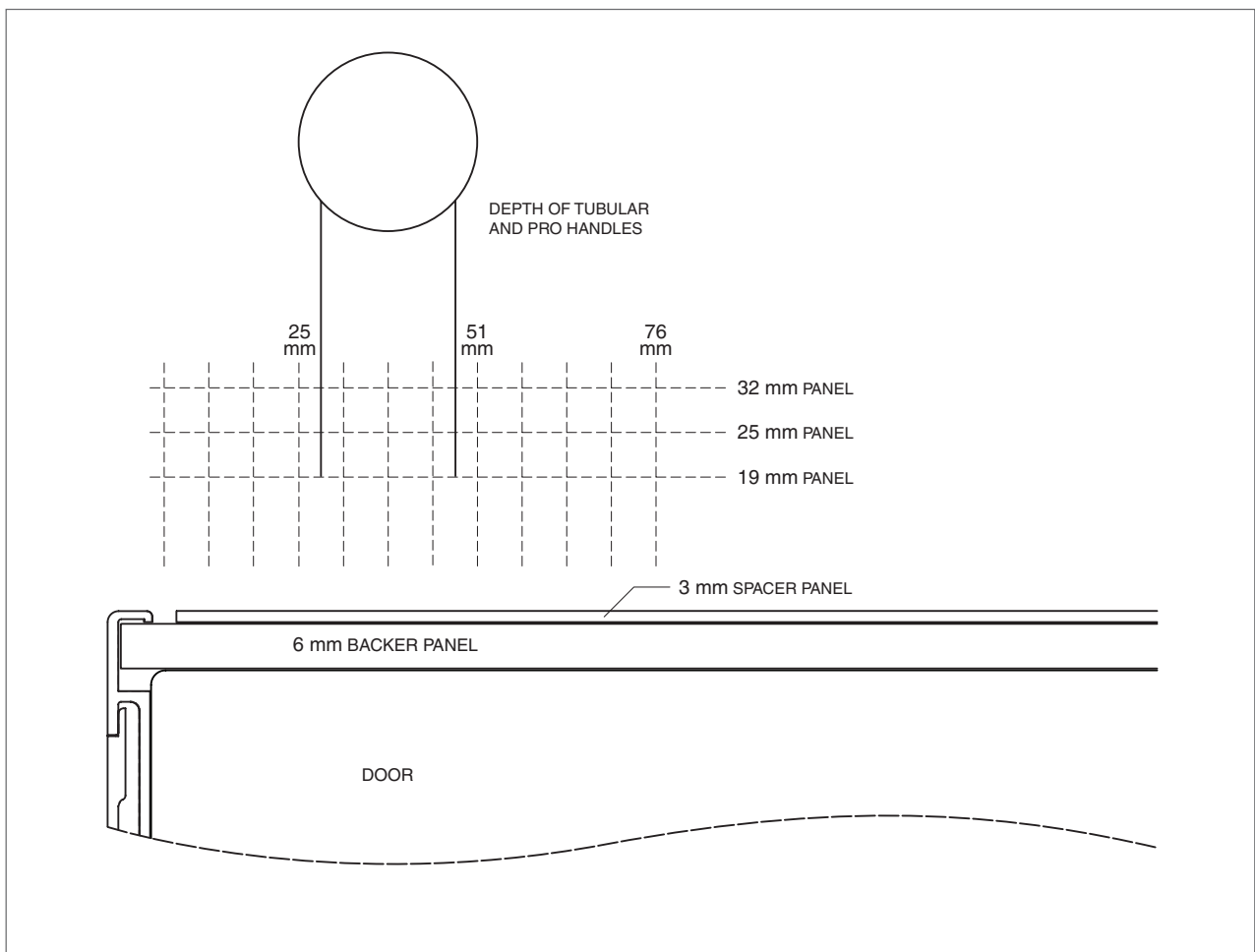
Refer to the chart below for standard handle lengths for Classic models.

HANDLE LENGTH	TUBULAR	PRO
Full Door	1622 mm	1147 mm
Over-and-Under Door	1124 mm	952 mm
914 mm Drawer	770 mm	600 mm
1067 mm Drawer	922 mm	753 mm

Overlay | Flush Inset Panels

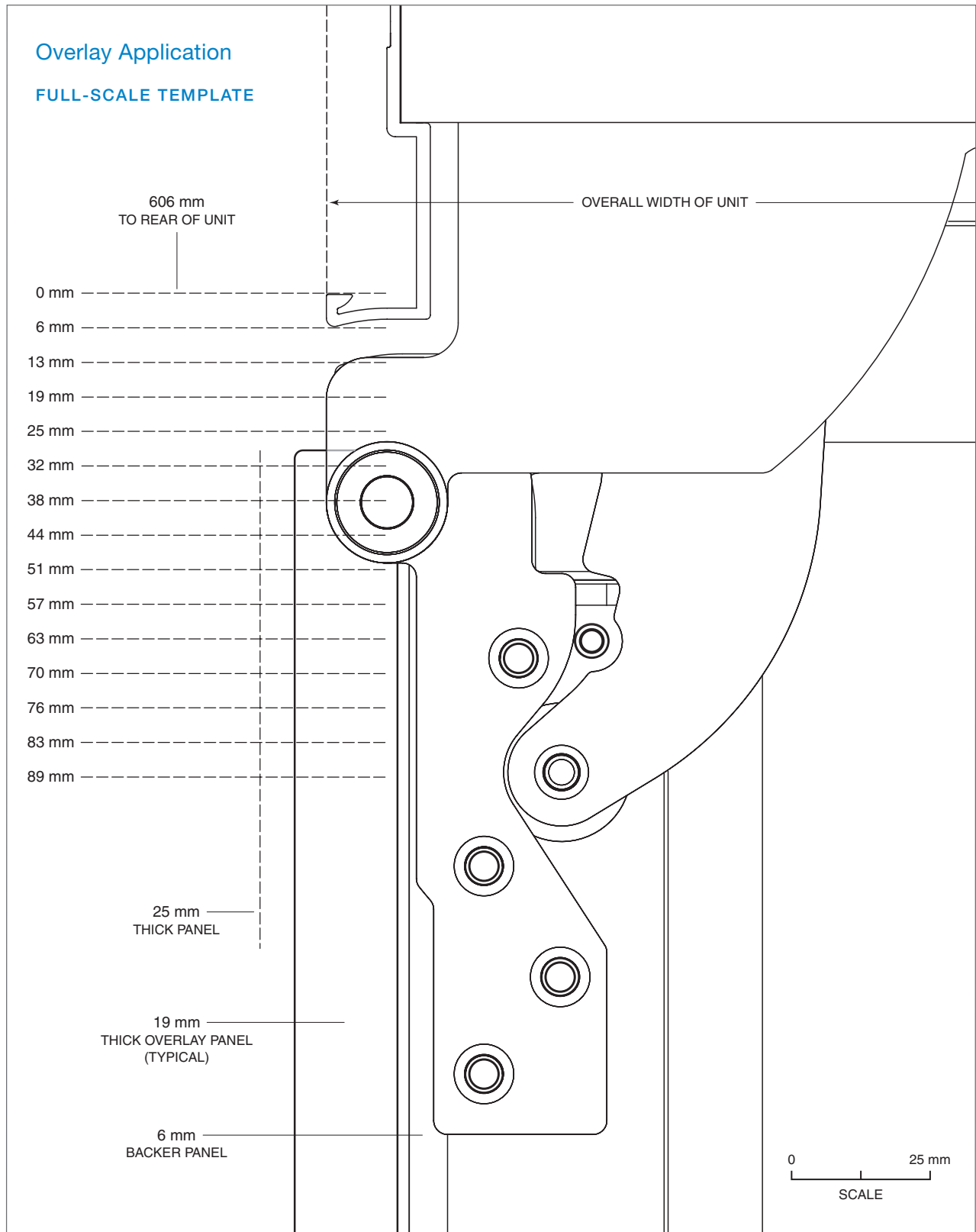
FULL-SCALE TEMPLATE

Overlay and flush inset panels must be a minimum of 16 mm thick to support mounting the handle. Panel thickness does not include the backer and spacer panel. Mount the handle close to the opening edge of the door.



Overlay and flush inset panel thickness

CLASSIC REFRIGERATION

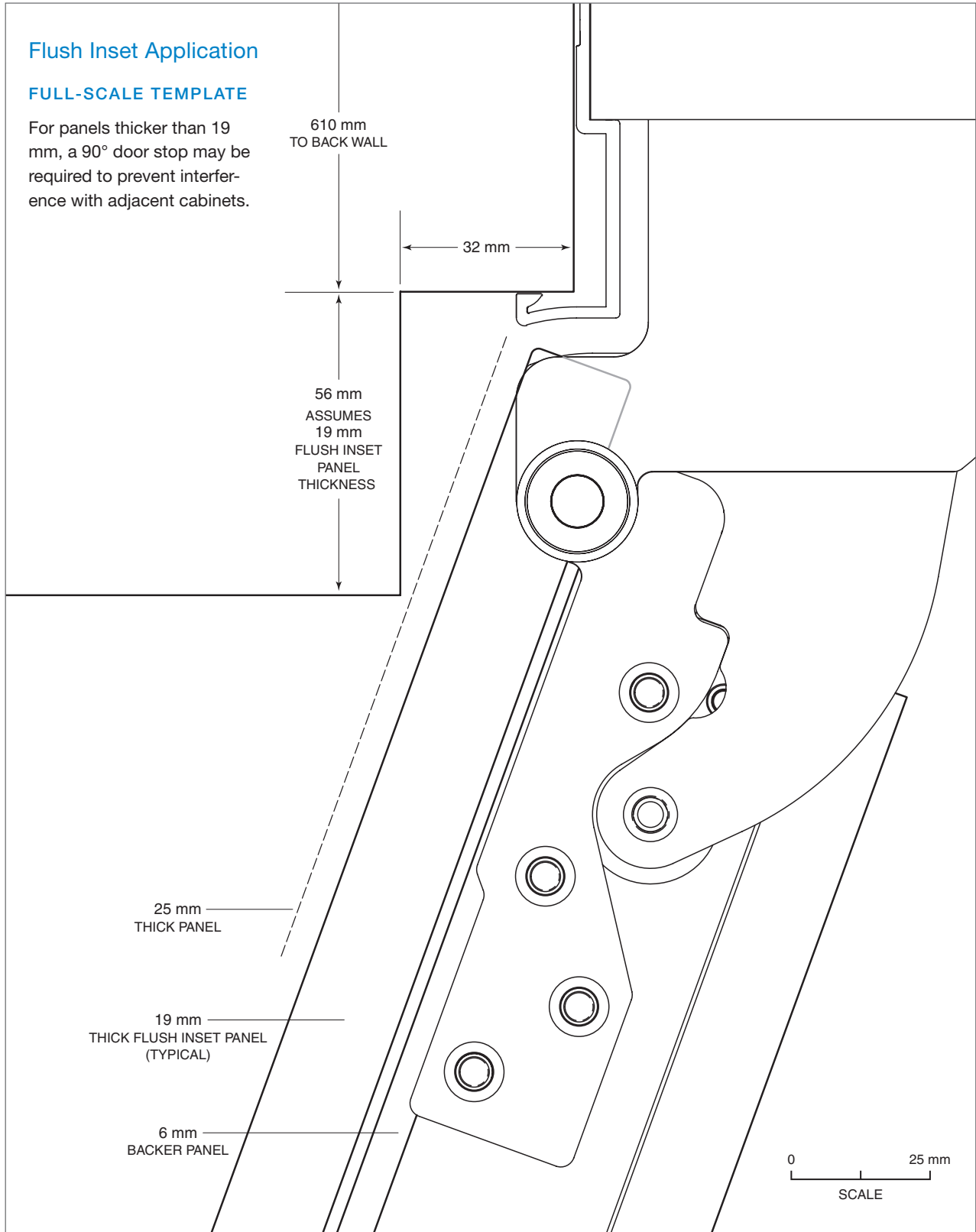


90° door opening (top view)

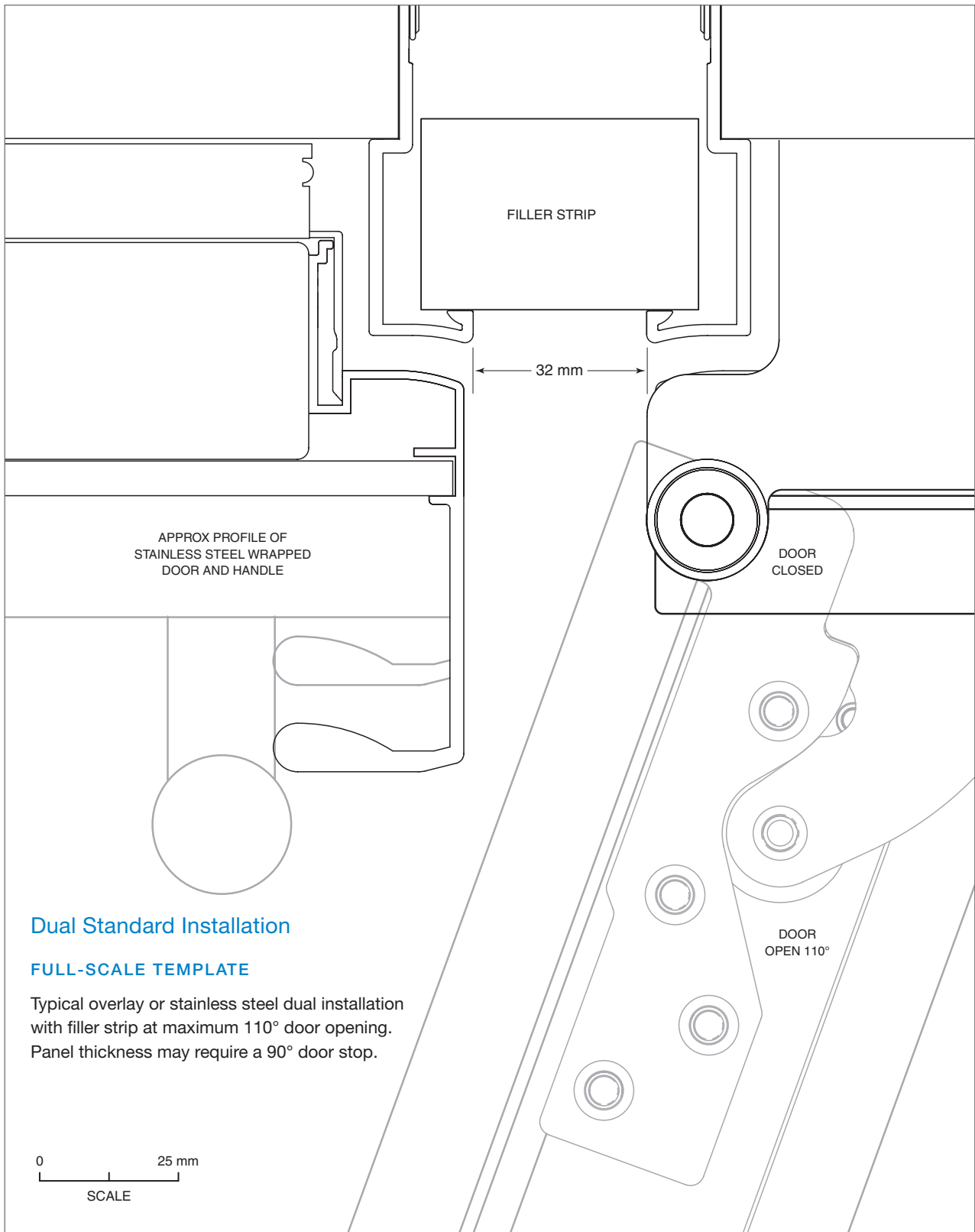
Flush Inset Application

FULL-SCALE TEMPLATE

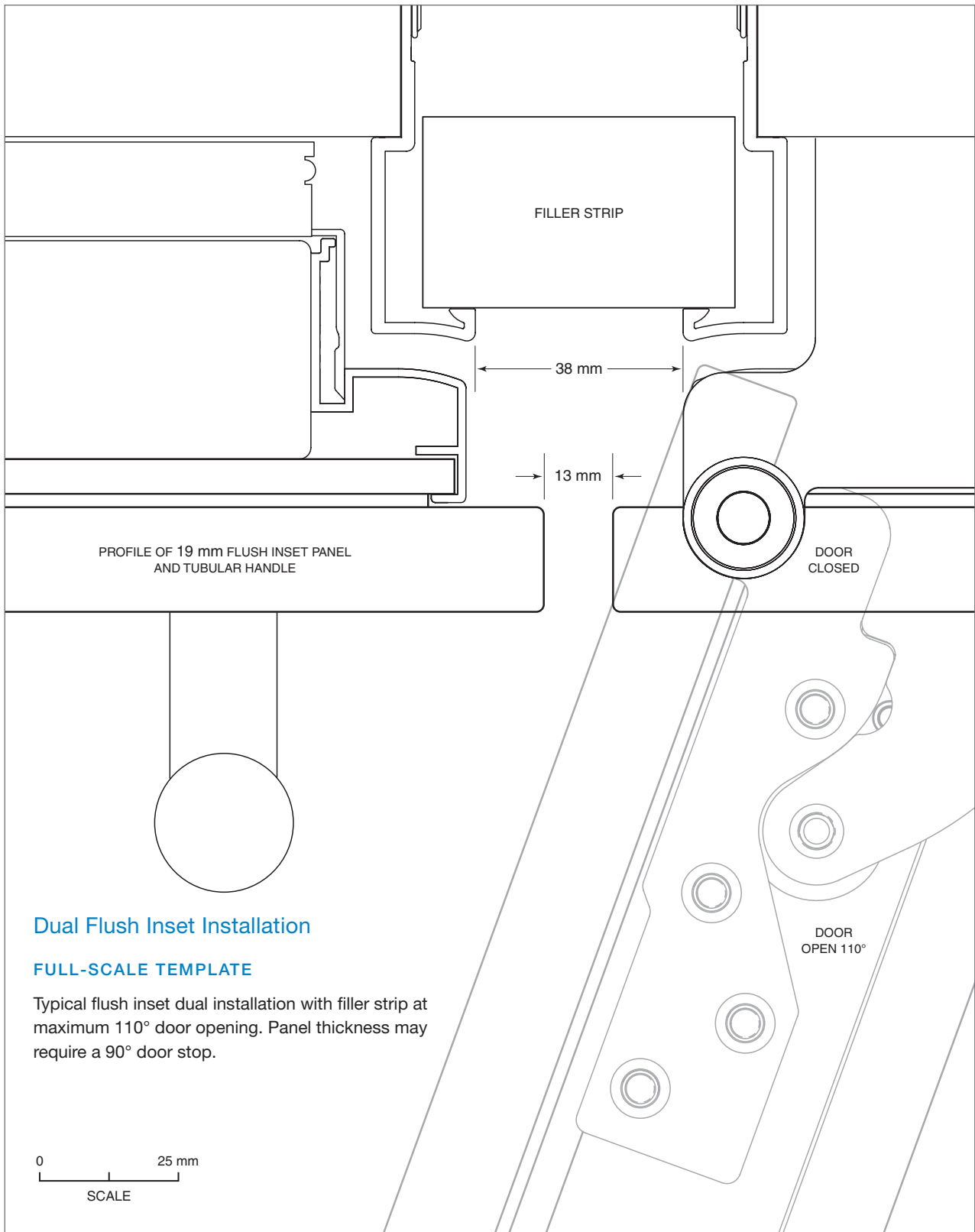
For panels thicker than 19 mm, a 90° door stop may be required to prevent interference with adjacent cabinets.



110° door opening (top view)



Dual standard installation (top view)



Dual flush inset installation (top view)