

WINE STORAGE

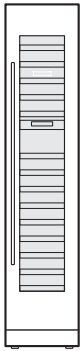
Wine Storage

Wine finds a well-deserved place of honor in a Sub-Zero wine storage unit. Every detail is designed to ensure better wine preservation. Cherrywood-faced racks, soft lighting, custom cabinetry if desired—Sub-Zero helps make a wine collection an element of beauty in the home.

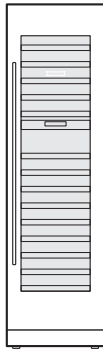
WINE STORAGE MODELS



ICBUW-24



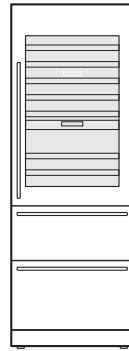
ICBIW-18



ICBIW-24



ICBIW-30



ICBIW-30R

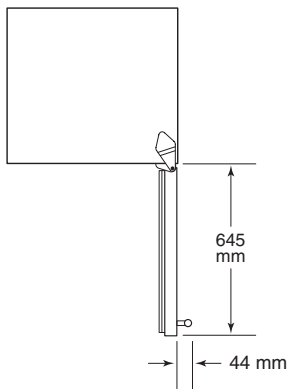
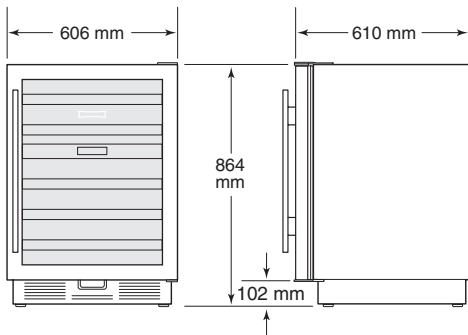


ICBBW-30

WINE STORAGE

Dimensions

MODEL ICBUW-24



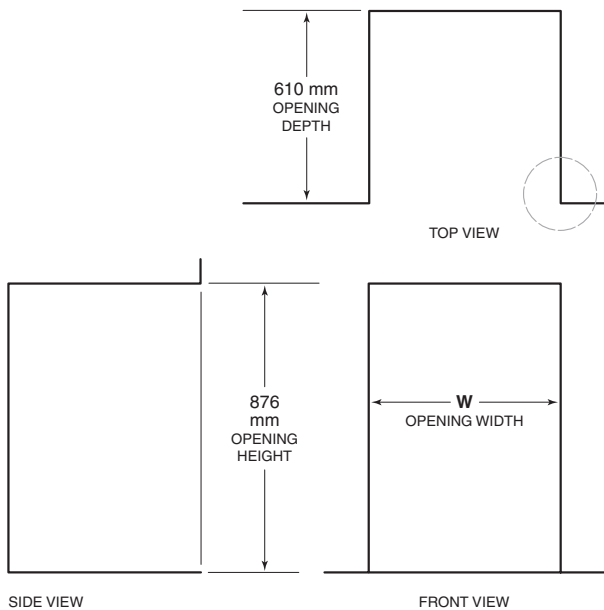
Dimensions for model ICBUW-24 are based on the stainless steel model. Refer to page 63 for door clearance information.

STORAGE CAPACITY	BOTTLES (750 ML)
ICBUW-24	46

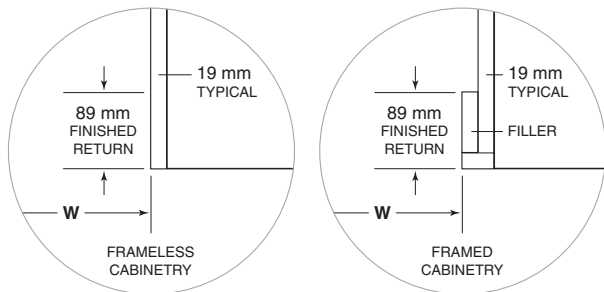
WINE STORAGE

Opening Dimensions

MODEL ICBUW-24



NOTE: 89 mm finished returns will be visible and should be finished to match cabinetry.



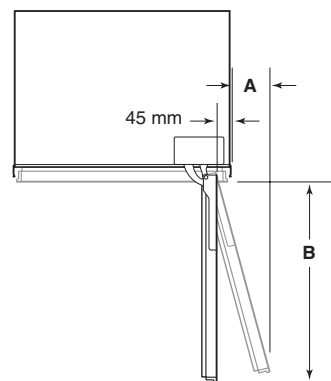
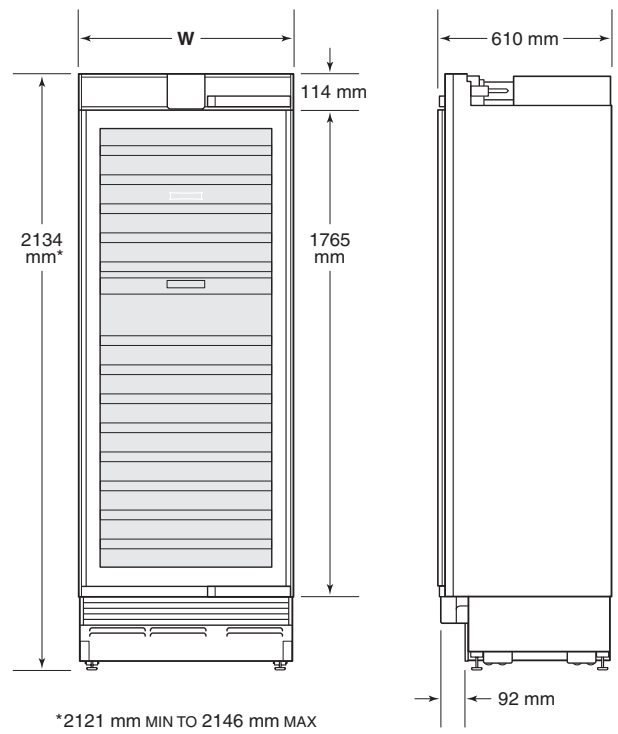
OPENING WIDTH	W
ICBUW-24	610 mm

DUAL OPENING WIDTH	W
Two 610 mm Models	1222 mm

Dual installation kit required.

Dimensions

COLUMN

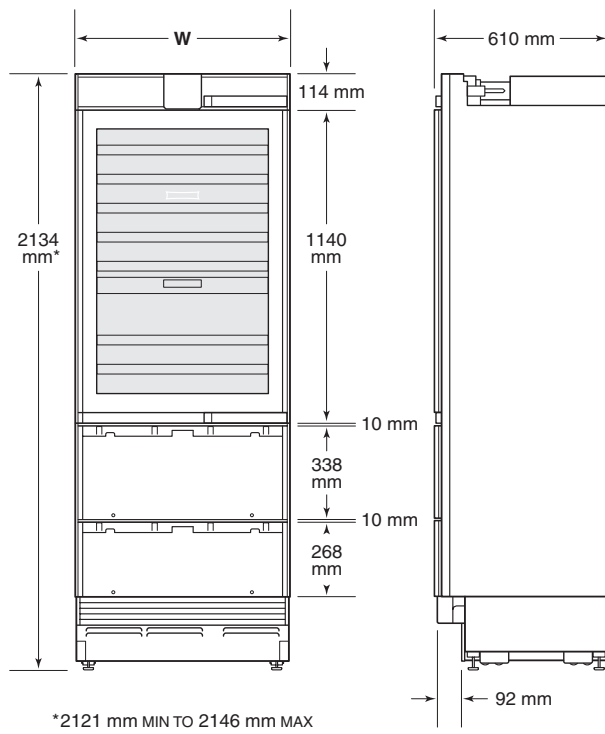


COLUMN	W	A	B
ICBIW-18	457 mm	64 mm	419 mm
ICBIW-24	610 mm	102 mm	572 mm
ICBIW-30	762 mm	143 mm	724 mm

WINE STORAGE

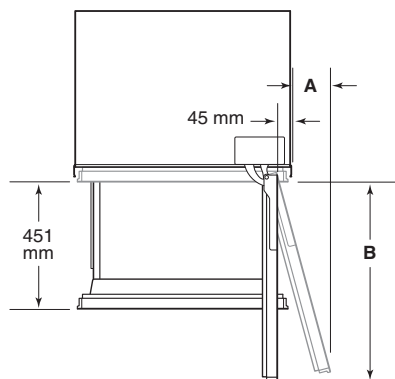
Dimensions

TALL



STORAGE CAPACITY

COLUMN		BOTTLES (750 ML)
ICBIW-18		59
ICBIW-24		102
ICBIW-30		146
TALL	R (L)	BOTTLES (750 ML)
ICBIW-30R	113	86



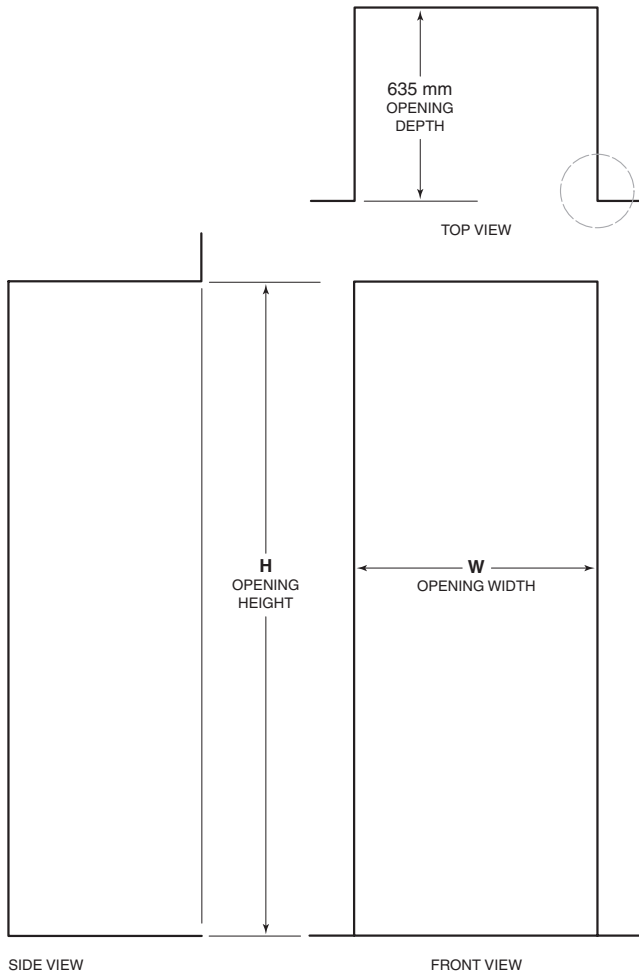
TALL	W	A	B
ICBIW-30R	762 mm	143 mm	724 mm

IMPORTANT NOTE: Dimensions do not include panels or handles. Dimensions will vary with panel thickness.

WINE STORAGE

Opening Dimensions

DESIGNER WINE STORAGE



OPENING DIMENSIONS

COLUMN	W*	H
ICBIW-18	457 mm	2134 mm
ICBIW-24	610 mm	2134 mm
ICBIW-30	762 mm	2134 mm
TALL	W*	H
ICBIW-30R	762 mm	2134 mm

*For stainless steel side panel accessory, add 25 mm per panel to opening width.

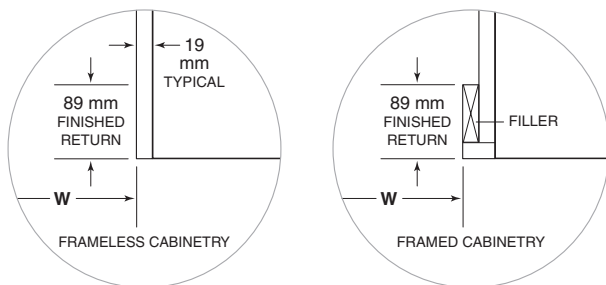
The depth of each Designer (ICBIW) model is 610 mm. Allow for panel thickness when planning the finished opening depth. A minimum 89 mm finished return is required on all sides of the opening. Framed cabinets will require additional finished filler material behind the face frame for a proper installation. Refer to the illustration.

DUAL INSTALLATION

The unit can be installed next to an Designer refrigeration model or another Designer wine storage model in a dual installation. When installing two units side by side, the opening width is the width of the two units added together. A dual installation kit will be required for this installation. If a dual installation kit is not specified, a minimum 51 mm filler strip is required between the units.

Dual installation kits are available through an authorized Sub-Zero dealer. For questions regarding the installation, contact your authorized Sub-Zero dealer.

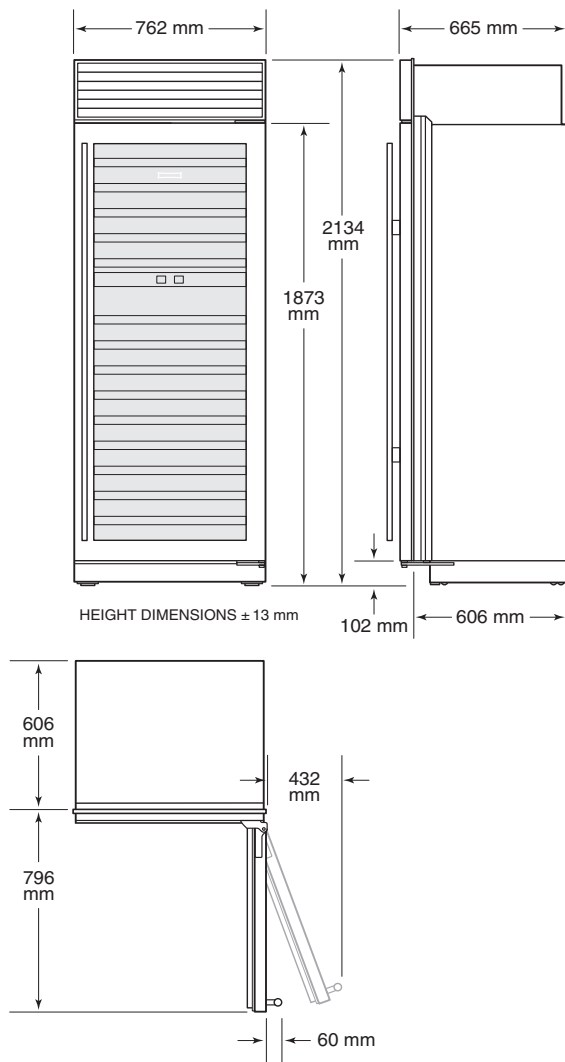
NOTE: 89 mm finished returns will be visible and should be finished to match cabinetry.



WINE STORAGE

Dimensions

MODEL ICBBW-30



STORAGE CAPACITY

BOTTLES (750 ML)

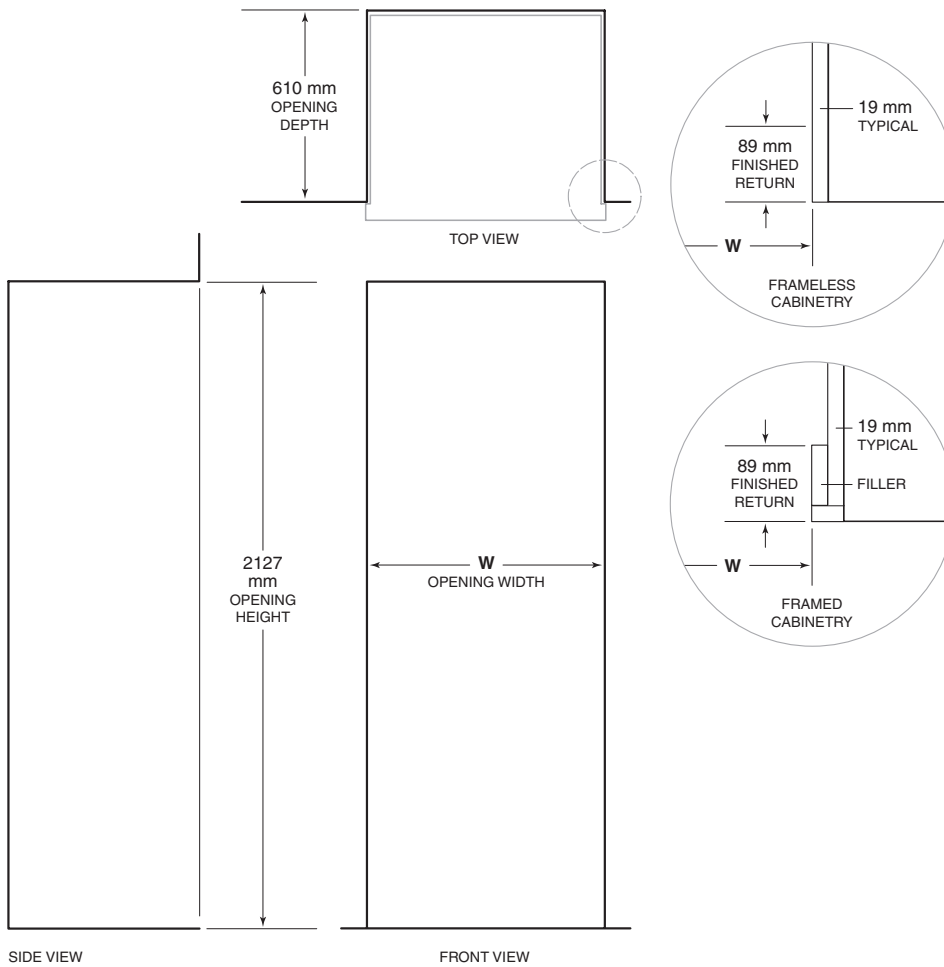
ICBBW-30	146
----------	-----

Dimensions are based on the stainless steel model. For flush inset applications, add 13 mm to the door clearance dimensions.

WINE STORAGE

Opening Dimensions

ICBBW-30 STANDARD INSTALLATION



NOTE: 89 mm finished returns will be visible and should be finished to match cabinetry. Shaded line represents profile of unit.

OPENING WIDTH

W

ICBBW-30

749 mm

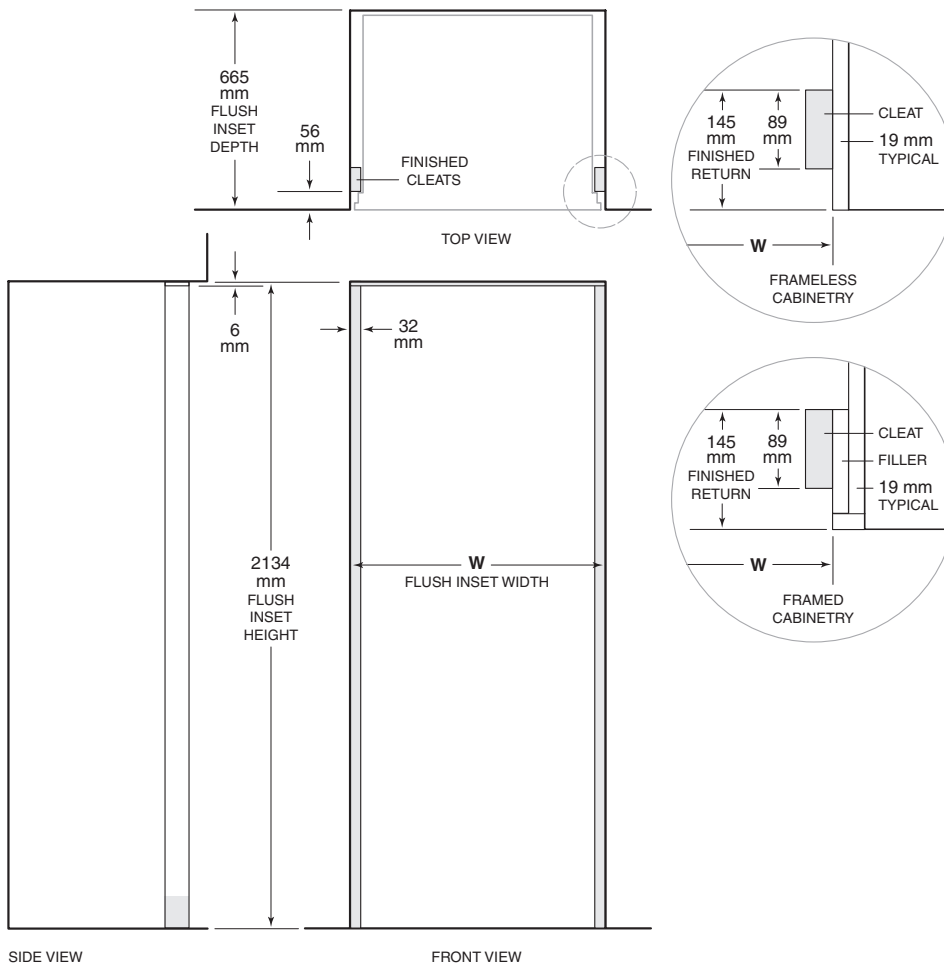
If a 2108 mm grille height is specified, the opening height must be decreased by 22 mm. If a 2235 mm grille height is specified, the opening height must be increased by 102 mm.

If two units are installed side by side, refer to page 51 for dual standard installations.

WINE STORAGE

Opening Dimensions

ICBBW-30 FLUSH INSET INSTALLATION



SIDE VIEW

FRONT VIEW

NOTE: 89 mm finished returns and shaded areas will be visible and should be finished to match cabinetry. Shaded line represents profile of unit with 19 mm panel.

FLUSH INSET WIDTH	W
ICBBW-30	813 mm

Dimensions assume a 19 mm panel thickness.

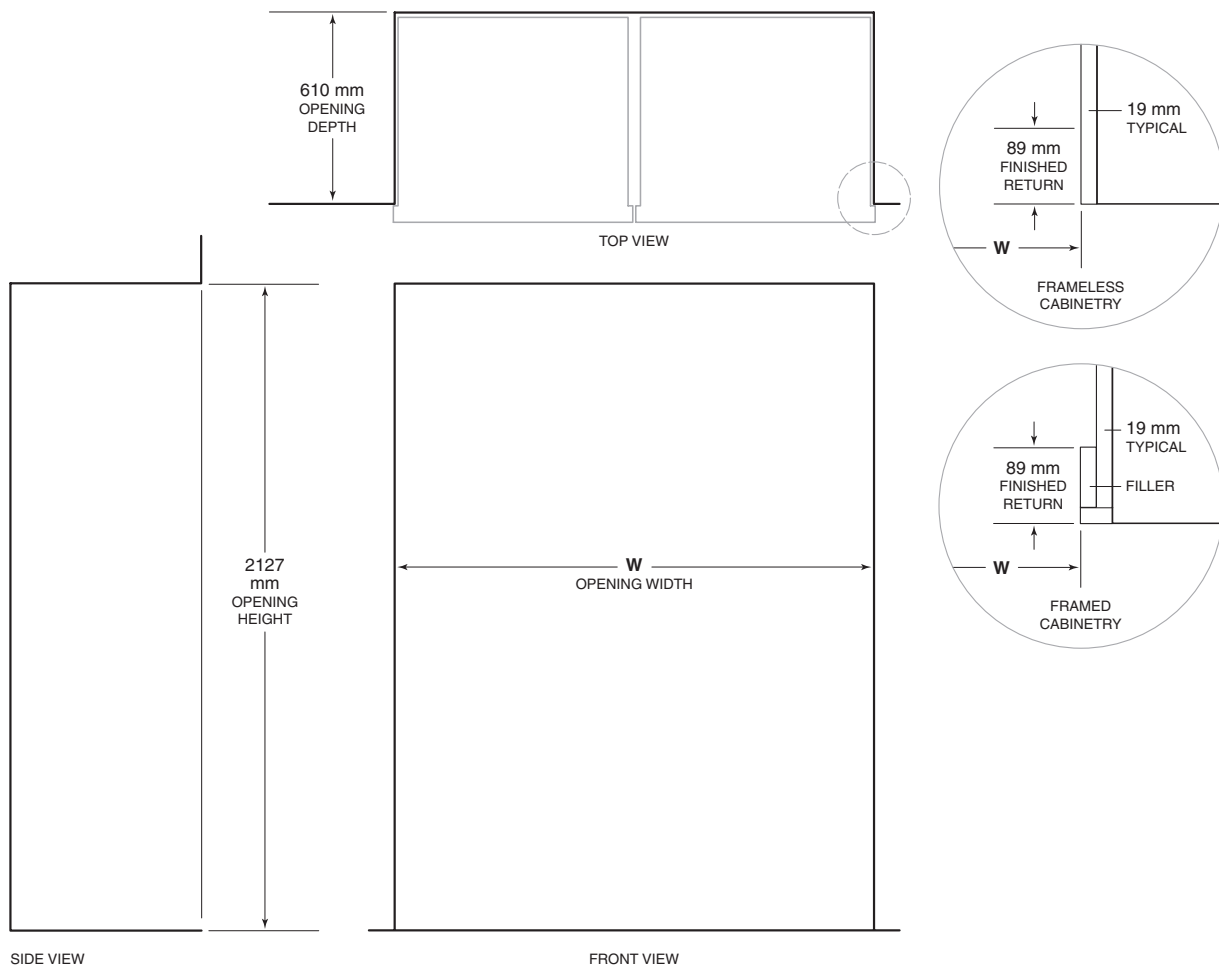
If a 2108 mm grille height is specified, the flush inset height must be decreased by 22 mm. If a 2235 mm grille height is specified, the flush inset height must be increased by 102 mm.

If two units are installed side by side, refer to page 51 for dual flush inset installations.

WINE STORAGE

Opening Dimensions

ICBBW-30 DUAL STANDARD INSTALLATION



NOTE: 89 mm finished returns will be visible and should be finished to match cabinetry. Shaded line represents profile of unit.

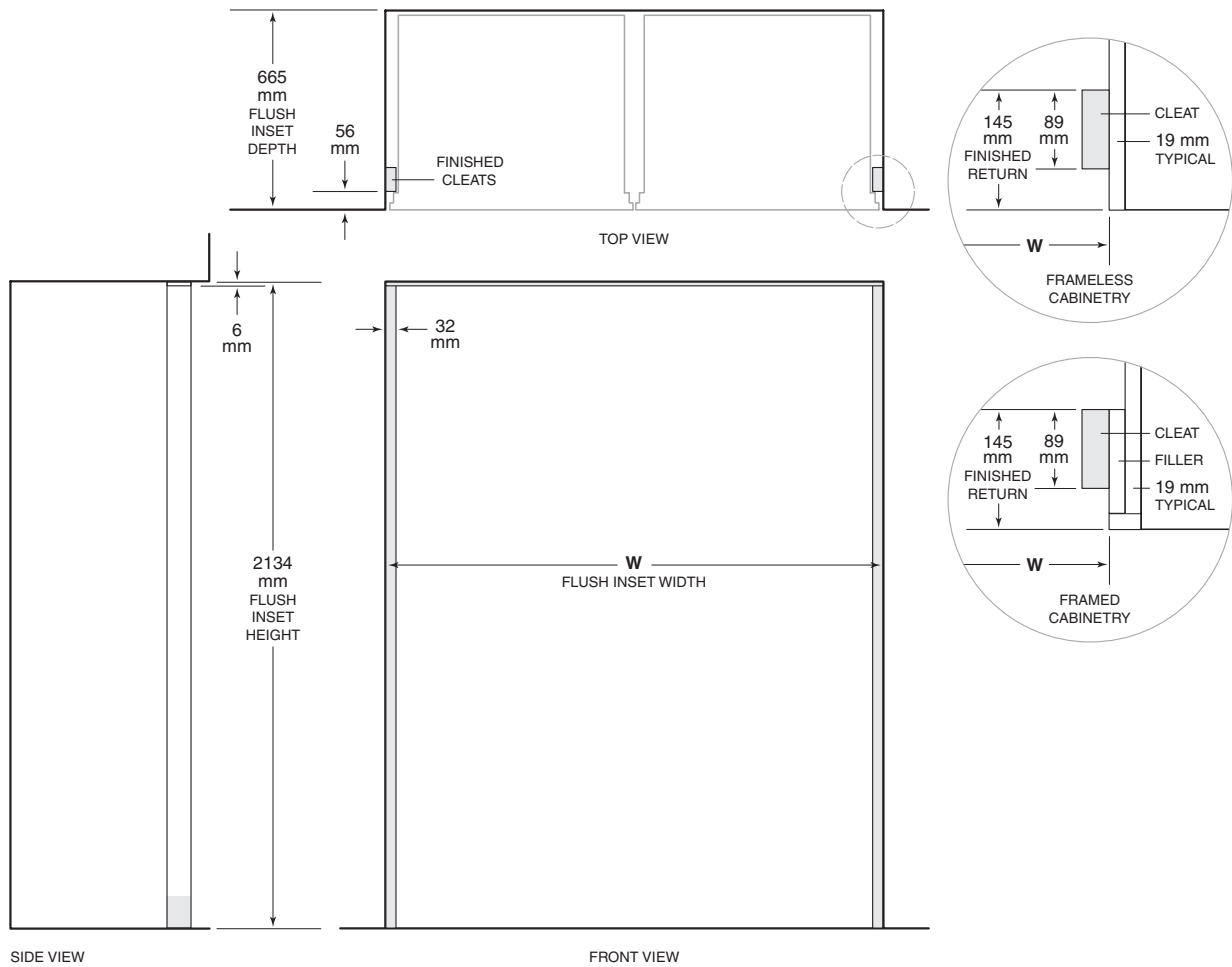
OPENING WIDTH	W
ICBBW-30 and 762 mm Classic	1518 mm
ICBBW-30 and 914 mm Classic	1670 mm

A dual installation kit will be required for this installation.

WINE STORAGE

Opening Dimensions

ICBBW-30 DUAL FLUSH INSET INSTALLATION



NOTE: 89 mm finished returns and shaded areas will be visible and should be finished to match cabinetry. Shaded line represents profile of unit with 19 mm panel.

FLUSH INSET WIDTH	W
ICBBW-30 and 762 mm Classic	1581 mm
ICBBW-30 and 914 mm Classic	1734 mm

Dimensions assume a 19 mm panel thickness. A dual installation kit will be required for this installation.

WINE STORAGE

Electrical Requirements

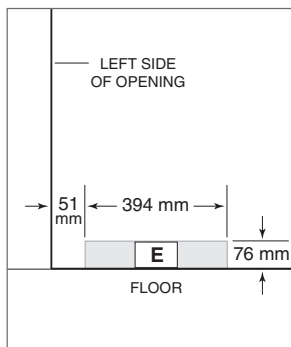
Installation must comply with all applicable electrical codes and be properly grounded (earthed).

The electrical supply must be located within the shaded area shown in the illustration for your specific model. For Designer (ICBIW) models, also refer to the chart. A separate circuit servicing only this appliance is required. A ground fault circuit interrupter (GFCI) is not recommended and may cause interruption of operation.

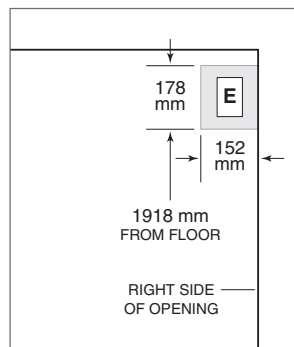
If the unit will be connected to a home security system, allow 914 mm of excess wiring for proper connection.

ELECTRICAL REQUIREMENTS

Power Supply	220-240 V AC, 50/60 Hz
Circuit Breaker	10 amp
Receptacle	grounding-type (earthed)



Model ICBUW-24

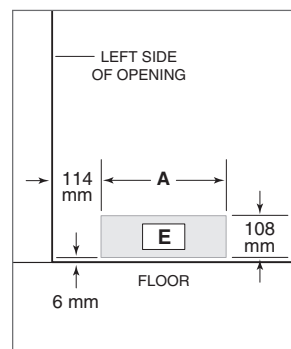


Model ICBBW-30

ELECTRICAL SUPPLY LOCATION

A

ICBIW-18	152 mm
ICBIW-24	241 mm
ICBIW-30, ICBIW 30R	318 mm



Designer (ICBIW) models

WINE STORAGE

Custom Panels

For overlay, Designer, and flush inset applications, custom door panels must be provided. Handle hardware must also be provided for overlay, Designer, and flush inset applications. Refer to the panel requirements and custom panel dimensions charts for your specific model and design application.

Do not install a solid panel on a glass door unit. A solid door is available as a sales accessory (except model ICBBW-30) and must be installed if a solid panel is specified. Service may be required to install the door. Contact an authorized Sub-Zero dealer for more information. Dimensions are the same for glass door and solid door panels.

Finish all sides of the custom panels. They may be visible when the door is open or through the window of a glass door model.

Custom Panel—ICBUW-24

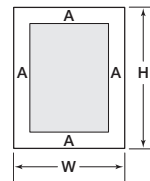
For model ICBUW-24, the custom door panel will attach directly to the door frame with screws through a series of pre-drilled holes.

Refer to the charts below for panel requirements and dimensions.

PANEL REQUIREMENTS

PANEL WEIGHT	MAX
ICBUW-24	5 kg
PANEL THICKNESS	MIN
ICBUW-24	16 mm

OVERLAY PANEL DIMENSIONS



ICBUW-24

PANEL DIMENSIONS

MODEL	W	H
ICBUW-24	603 mm	764 mm
STILES / RAILS	A	
Minimum	57 mm	

DOOR CLEARANCE

Model ICBUW-24 can be installed flush with surrounding cabinetry. Depending on the thickness of the overlay door panel, it may be necessary to install the unit 6 mm beyond the front surface of adjacent cabinetry to prevent interference when the door is opened to 145°. Refer to the full-scale template on page 63.

Custom Panels—Designer

For Designer (ICBIW) models, custom door panels and handle hardware must be provided. Refer to the panel requirements chart and typical panel dimensions.

Do not install a solid panel on the glass door unit. A solid door is available as a sales accessory through an authorized Sub-Zero dealer.

The thickness of the custom panel can vary. A minimum 16 mm thick panel is required, but the thickness can be increased provided it does not exceed the weight limit. The depth of each Designer model is 610 mm. Allow for panel thickness when planning the finished opening depth. Refer to the full-scale template on page 41.

CAUTION

As reveals between cabinetry and the unit decrease, severe finger pinching can occur while door is closing.

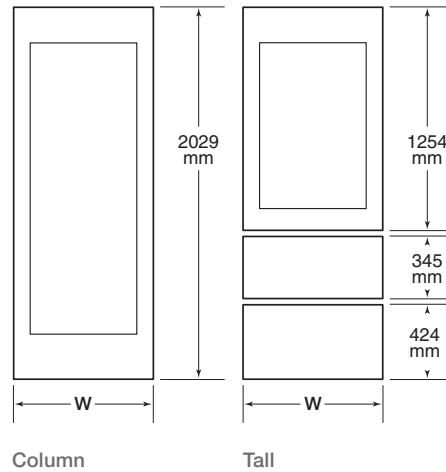
Finish all sides of the custom panels. They will be visible when the door/drawer is open.

D-style handles are recommended. Door handles must be located near the edge of the panel opposite the hinge and should be centered top to bottom. Drawer handles must be located near the top edge of each panel. Stainless steel tubular and pro handles are available through an authorized Sub-Zero dealer.

PANEL REQUIREMENTS

STILES / RAILS	WIDTH
Stiles	83 mm
Top Rail	197 mm
Bottom Rail	241 mm
Bottom Rail (ICBIW-30R)	114 mm
PANEL WEIGHT	MAX
Door Frame	16 kg
Door Frame (ICBIW-30R)	11 kg
Drawer Panel	7 kg
PANEL THICKNESS	MIN
All Panels	16 mm

TYPICAL PANEL DIMENSIONS



Typical panel dimensions are based on a 2134 mm finished height, 102 mm toe kick, and 3 mm reveals. Panel dimensions must be adjusted accordingly for all other installations. Refer to the illustration for panel heights and the chart below for panel widths.

PANEL WIDTH	W
ICBIW-18	451 mm
ICBIW-24	603 mm
ICBIW-30, ICBIW-30R	756 mm

DUAL INSTALLATION

For dual installations, refer to the illustration for panel heights and the chart below for panel widths.

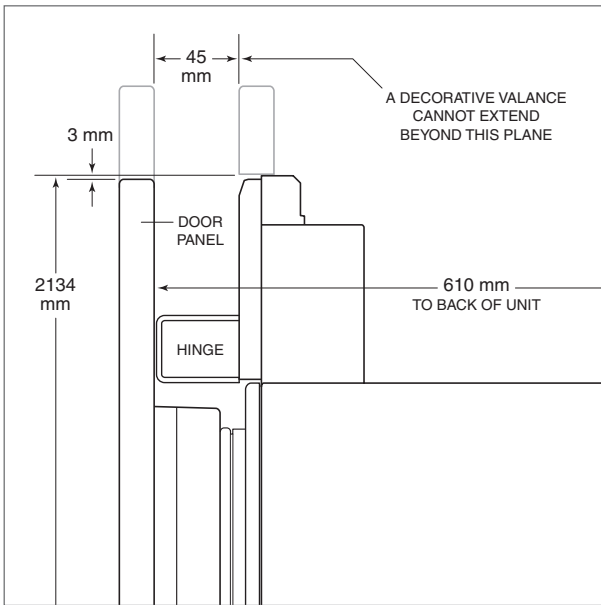
PANEL WIDTH—DUAL INSTALLATION	W
ICBIW-18	452 mm
ICBIW-24	605 mm
ICBIW-30, ICBIW-30R	757 mm

WINE STORAGE

Custom Panels—Designer

DOOR PANEL HEIGHT

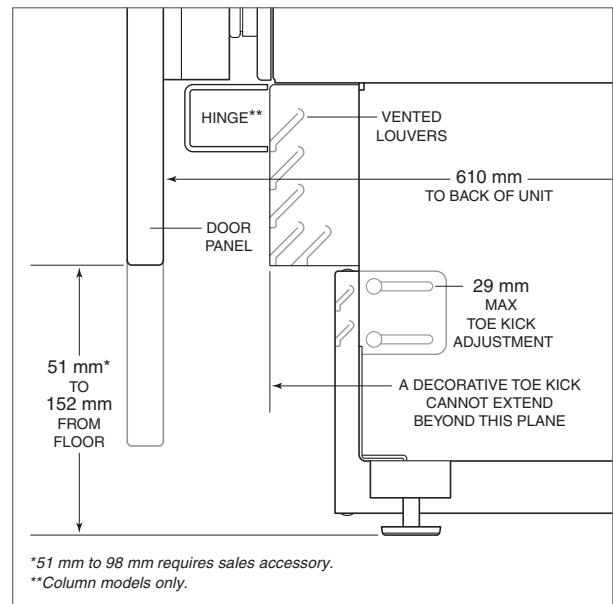
The height of the custom door panel can extend beyond the typical panel height, provided it does not exceed the weight limit. Refer to the illustration below.



Upper valance—column and tall (side view)

TOE KICK CLEARANCE

The height of the toe kick area can extend beyond the typical toe kick height, provided it does not exceed the dimensions in the illustration below. Toe kick heights from 51 mm to 98 mm require a reduced toe kick accessory available through an authorized Sub-Zero dealer.



Toe kick (side view)

WINE STORAGE

Custom Panels—ICBBW-30

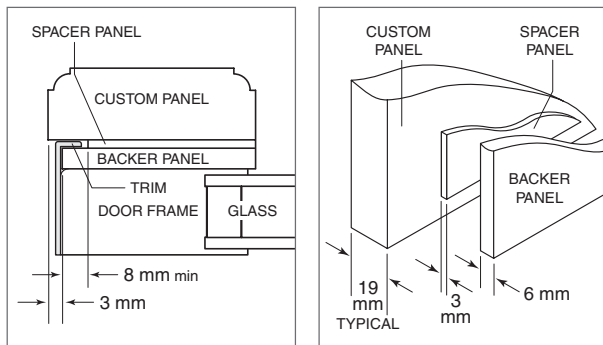
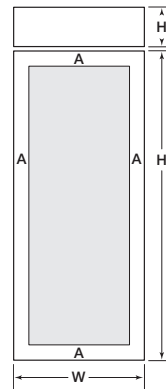
OVERLAY PANELS

Overlay panels are typically created by combining a 19 mm custom panel, a 3 mm spacer panel, and a 6 mm backer panel. Refer to the illustrations below.

PANEL REQUIREMENTS

PANEL WEIGHT	MAX
Door	34 kg
Grille	6 kg
PANEL THICKNESS	MIN
Overlay	16 mm

OVERLAY PANEL DIMENSIONS



Panel assembly cross section (overlay)

Panel assembly rear view

ICBBW-30

OVERLAY PANELS

DOOR	W	H
Overlay Panel	762 mm	1772 mm
Spacer Panel	740 mm	1751 mm
Backer Panel	756 mm	1767 mm
STILES / RAILS		A
Minimum		83 mm
GRILLE	W	H
Overlay Panel	762 mm	235 mm*
Spacer Panel	740 mm	211 mm
Backer Panel	756 mm	227 mm

*Panel height may be increased by 11 mm to hide the upper main frame.

Grille panel dimensions are for a standard 2134 mm overall unit height. For a 2108 mm height, subtract 25 mm from the grille panel height dimensions and for a 2235 mm height, add 102 mm. A specific panel grille must be ordered for a 2108 mm or 2235 mm overall unit height.

WINE STORAGE

Custom Panels—ICBBW-30

FLUSH INSET PANELS

The flush inset application is an overlay model with flush inset panels. It is not a separate model.

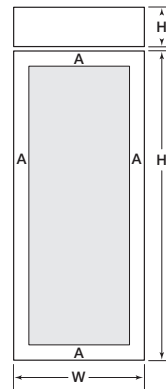
The flush inset design allows custom panels to be installed flush with adjacent cabinets. Similar to overlay, flush inset panels are typically created by combining a 19 mm custom panel, a 3 mm spacer panel, and a 6 mm backer panel. Refer to the illustrations for overlay panels on the previous page.

For flush inset panels thicker than 19 mm, a 90° door stop may be required to prevent interference with adjacent cabinets. Refer to the full-scale template on page 66.

PANEL REQUIREMENTS

PANEL WEIGHT		MAX
Door		34 kg
Grille		6 kg
PANEL THICKNESS		MIN
Flush Inset		16 mm

FLUSH INSET PANEL DIMENSIONS



ICBBW-30

FLUSH INSET PANELS

DOOR	W	H
Flush Inset Panel	787 mm	1772 mm
Spacer Panel	740 mm	1751 mm
Backer Panel	756 mm	1767 mm
STILES / RAILS		A
Minimum		95 mm
GRILLE		H
Flush Inset Panel	787 mm	235 mm
Spacer Panel	740 mm	211 mm
Backer Panel	756 mm	227 mm

Grille panel dimensions are for a standard 2134 mm overall unit height. For a 2108 mm height, subtract 25 mm from the grille panel height dimensions and for a 2235 mm height, add 102 mm. A specific panel grille must be ordered for a 2108 mm or 2235 mm overall unit height.

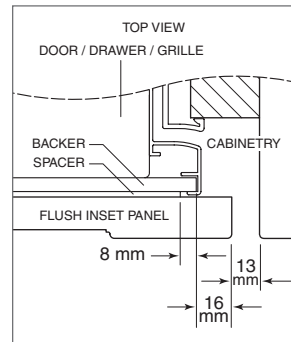
WINE STORAGE

Custom Panels—ICBBW-30

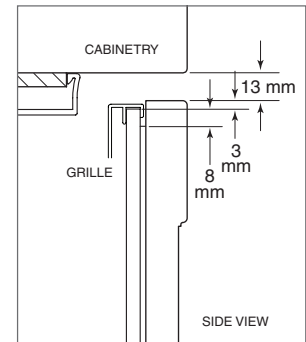
FLUSH INSET PANEL OFFSET

The illustrations provide panel offsets and reveals for model ICBBW-30 in a flush inset application. Refer to the chart below for reference to the illustrations.

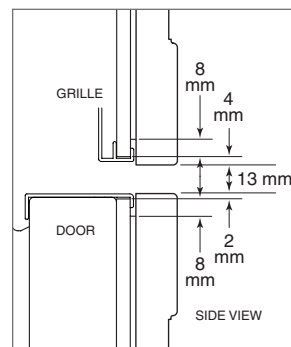
PANEL OFFSET	ILLUS
Door / Grille Sides	A
Grille Top	B
Grille Bottom / Door Top	C
Door Bottom	D



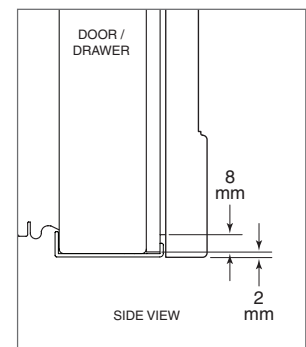
Illus. A



Illus. B



Illus. C



Illus. D

WINE STORAGE

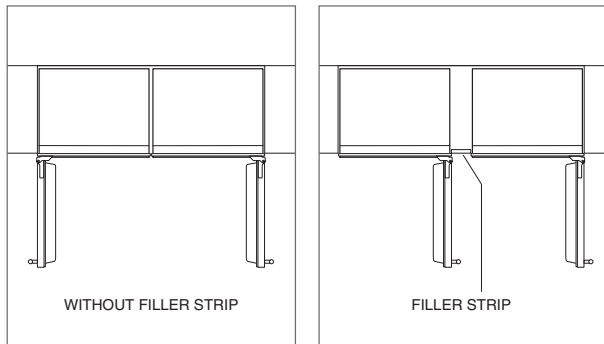
Custom Panels—ICBBW-30

DUAL INSTALLATIONS

A dual installation kit may be required if two models ICBBW-30 or a model ICBBW-30 and a Classic unit are installed side by side. Installations without a custom filler strip require a dual installation kit. If a dual installation kit is not specified, a 51 mm filler strip is recommended between the units. Dual installations without a filler strip can only be accomplished using two units with opposite hinges. Refer to the illustrations below.

Dual installation kits are available through an authorized Sub-Zero dealer. For questions regarding the installation, contact your authorized Sub-Zero dealer.

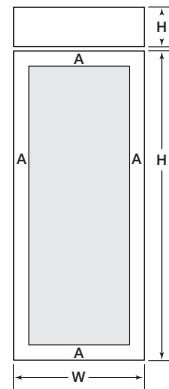
For dual standard installations, panel dimensions are the same as for single installations. Panel dimensions and offsets for dual flush inset installations are listed on the following pages.



Opposite hinges

Same side hinges

DUAL FLUSH INSET PANEL DIMENSIONS



ICBBW-30

DUAL FLUSH INSET PANELS

DOOR	W	H
Flush Inset Panel	775 mm	1772 mm
Spacer Panel	740 mm	1751 mm
Backer Panel	756 mm	1767 mm
STILES / RAILS	A	
Minimum	95 mm	
GRILLE	W	H
Flush Inset Panel	775 mm	235 mm
Spacer Panel	740 mm	211 mm
Backer Panel	756 mm	227 mm

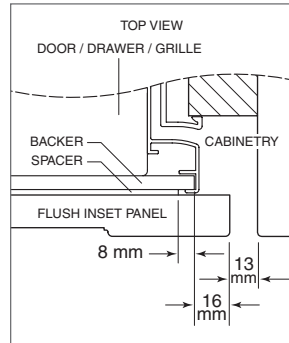
Grille panel dimensions are for a standard 2134 mm overall unit height. For a 2108 mm height, subtract 25 mm from the grille panel height dimensions and for a 2235 mm height, add 102 mm. A specific panel grille must be ordered for a 2108 mm or 2235 mm overall unit height.

Custom Panels—ICBBW-30

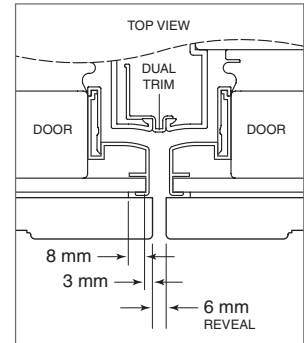
DUAL FLUSH INSET PANEL OFFSET

The illustrations provide panel offsets and reveals for model ICBBW-30 in a dual flush inset application. Refer to the chart below for reference to the illustrations.

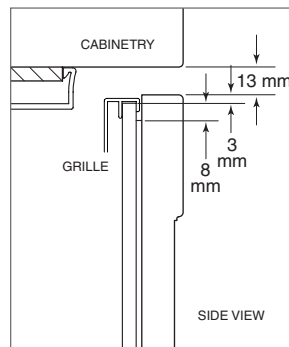
PANEL OFFSET	ILLUS
Door (hinge) / Grille Sides	A
Door (handle) Sides	B
Grille Top	C
Grille Bottom / Door Top	D
Door Bottom	E



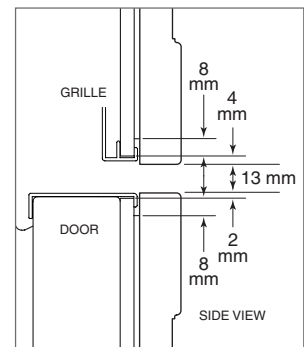
Illus. A



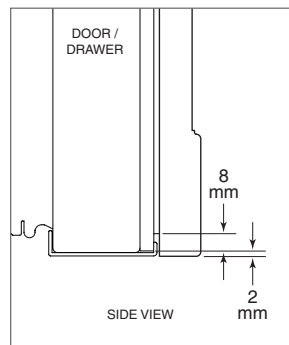
Illus. B



Illus. C



Illus. D



Illus. E

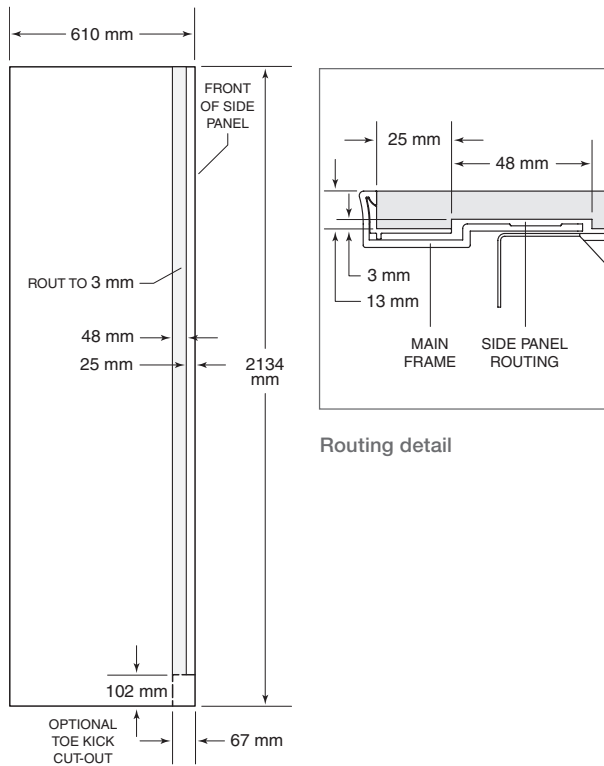
WINE STORAGE

Custom Panels—ICBBW-30

SIDE PANEL

The custom side panel must be a minimum of 610 mm deep and 13 mm thick. Routing will be necessary for the side panel to fit flush against the side of the unit. Refer to the illustrations below.

When installing model ICBBW-30 with a custom side panel, an accessory kit is required. Stainless steel and white enamel side panels are available through an authorized Sub-Zero dealer.



Side panel dimensions

Standard Handles

Optional stainless steel tubular and pro handles are available through an authorized Sub-Zero dealer.

Refer to the chart below for standard handle lengths for wine storage models.

HANDLE LENGTH	TUBULAR	PRO
ICBUW-24 Door	616 mm	572 mm
ICBIW-18 Door	1273 mm	1229 mm
ICBIW-24 Door	1273 mm	1229 mm
ICBIW-30 Door	1273 mm	1229 mm
ICBIW-30R Door	845 mm	800 mm
ICBIW-30R Drawer	616 mm	572 mm
ICBBW-30 Door	1622 mm	1147 mm

WINE STORAGE

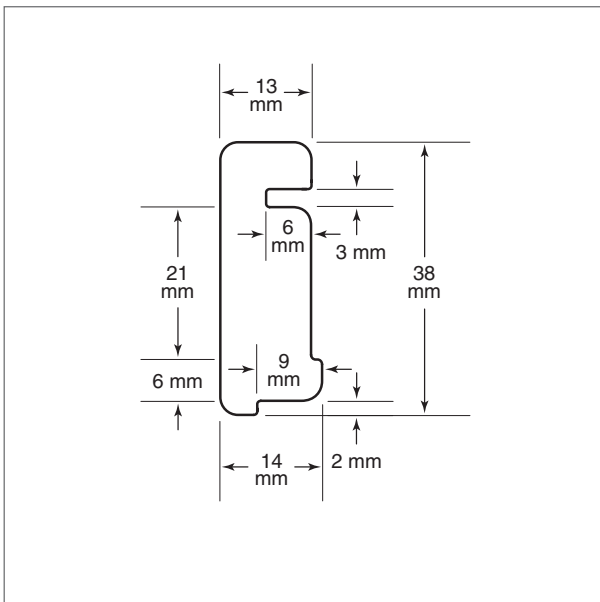
Wine Rack Wood Facing

FULL-SCALE TEMPLATE

The natural cherrywood facing on wine storage racks can be stained and sealed, or replaced with wood more complementary to surrounding cabinetry. Refer to the full-scale template below for profile dimensions of the wood facing and the chart for the width.

WOOD FACING WIDTH

WOOD FACING WIDTH	WIDTH
ICBUW-24	495 mm
ICBIW-18	295 mm
ICBIW-24	448 mm
ICBIW-30, ICBIW-30R	600 mm
ICBBW-30	624 mm

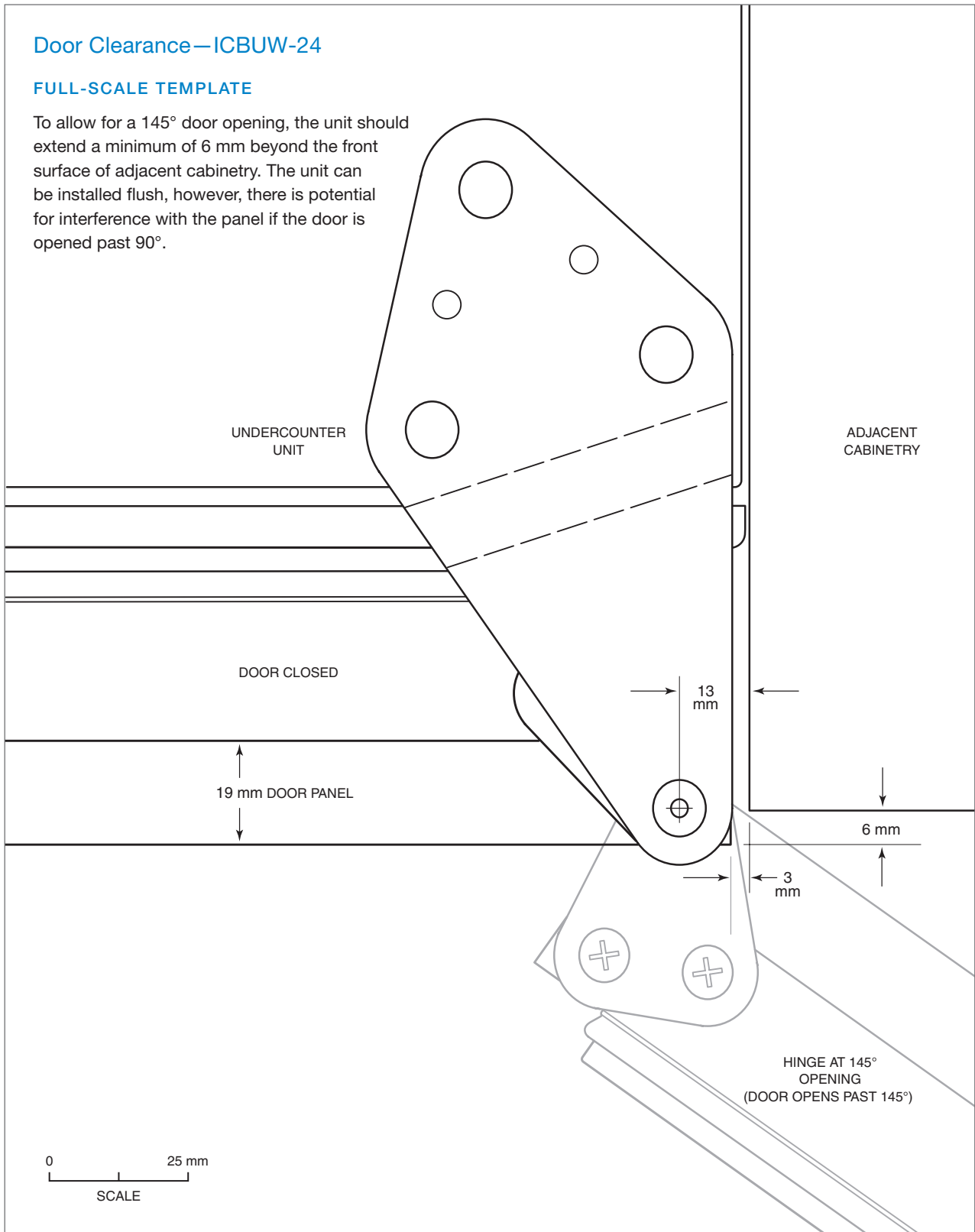


Wine rack wood facing profile

Door Clearance—ICBUW-24

FULL-SCALE TEMPLATE

To allow for a 145° door opening, the unit should extend a minimum of 6 mm beyond the front surface of adjacent cabinetry. The unit can be installed flush, however, there is potential for interference with the panel if the door is opened past 90°.

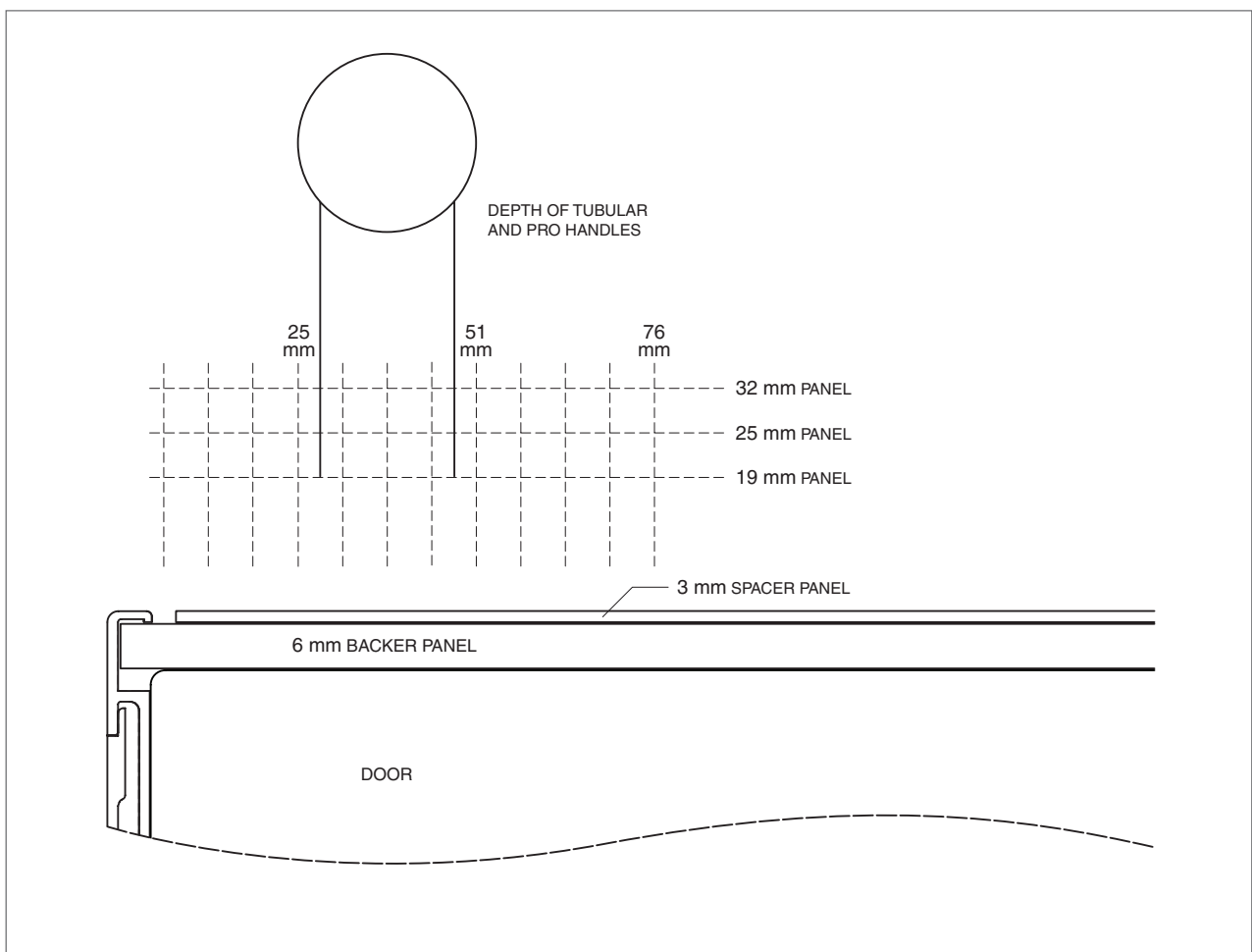


145° door opening (top view)

Overlay | Flush Inset Panels—ICBBW-30

FULL-SCALE TEMPLATE

Overlay and flush inset panels must be a minimum of 16 mm thick to support mounting the handle. Panel thickness does not include the backer and spacer panel. Mount the handle close to the opening edge of the door.

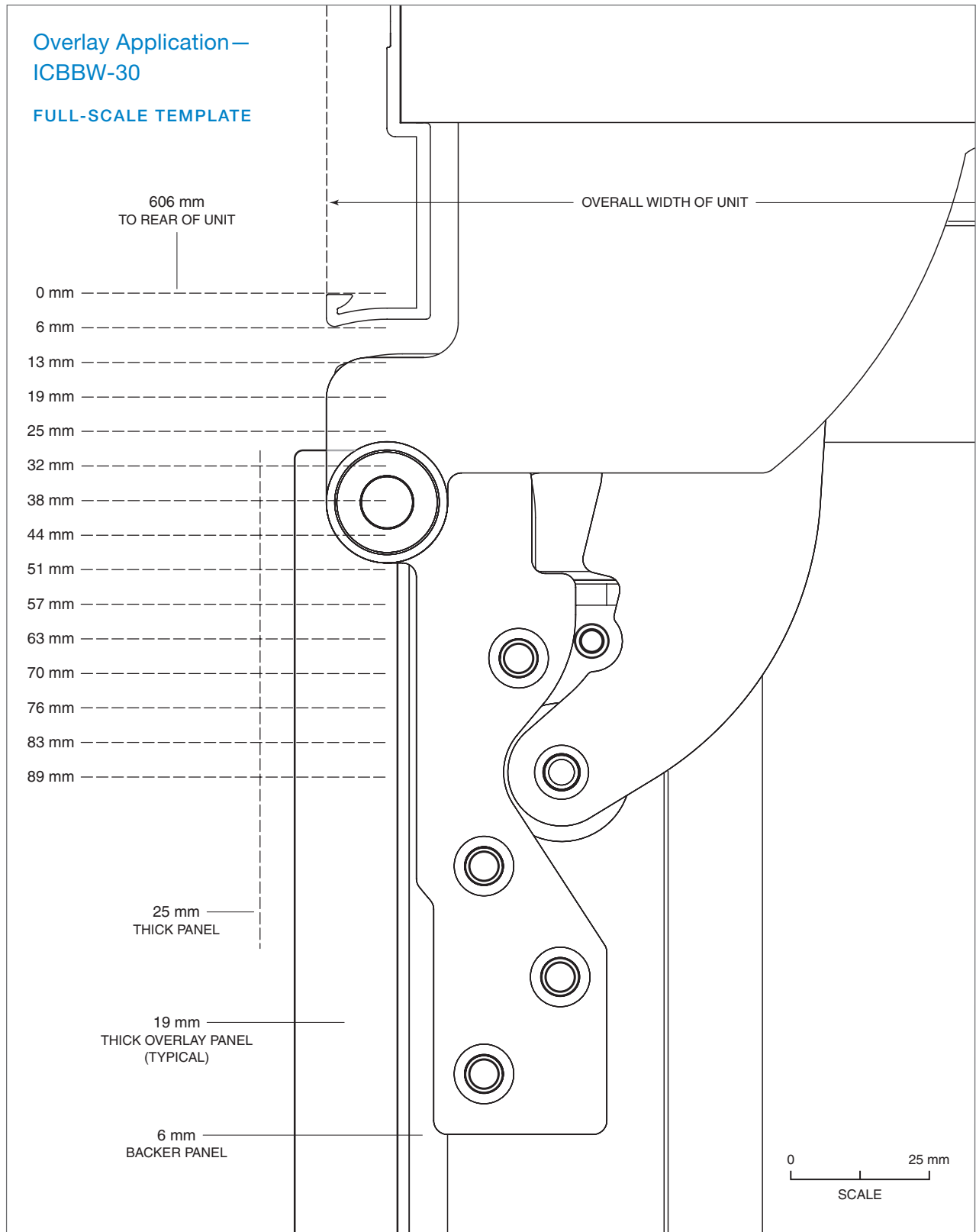


Overlay and flush inset panel thickness

WINE STORAGE

Overlay Application—
ICBBW-30

FULL-SCALE TEMPLATE

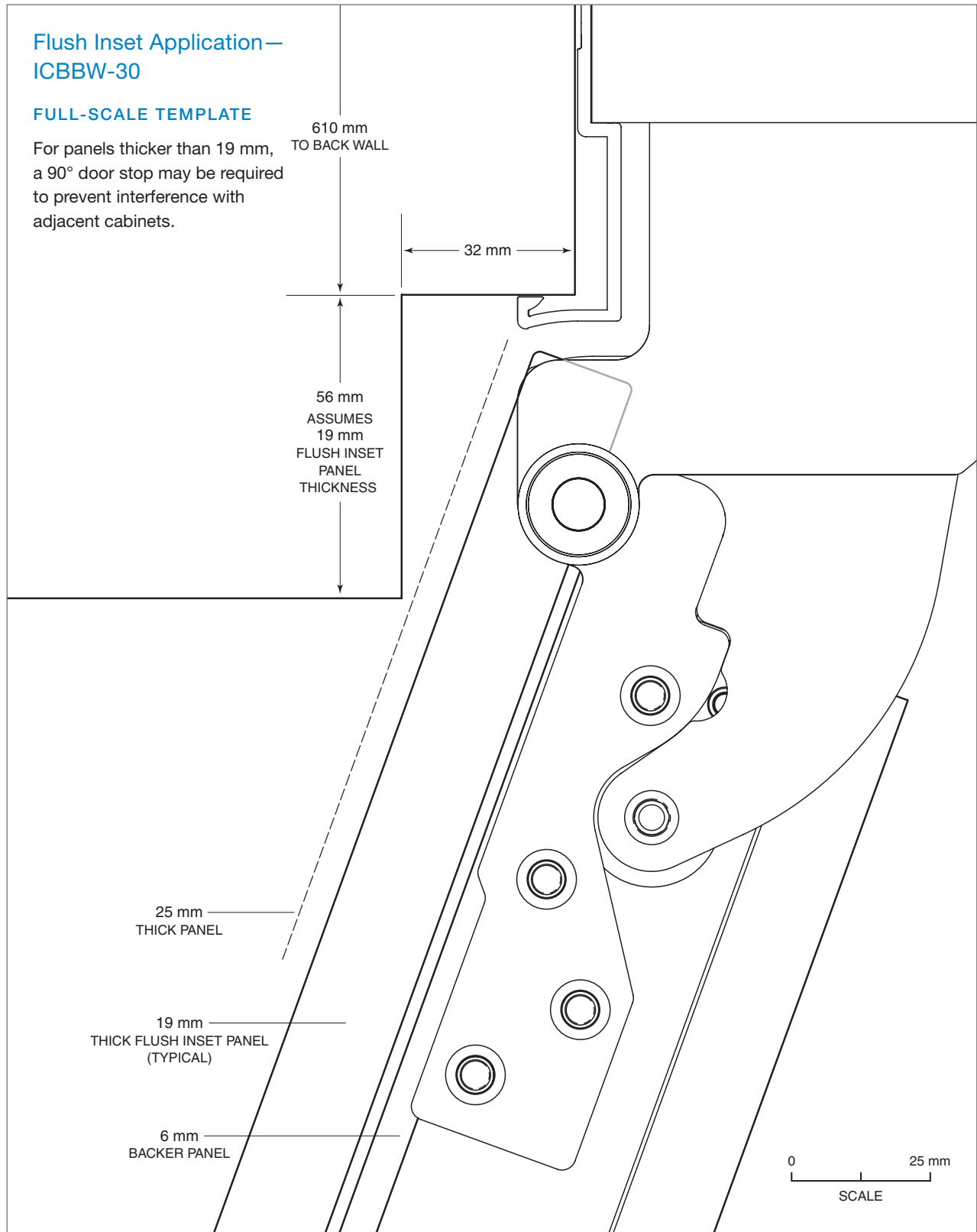


90° door opening (top view)

**Flush Inset Application—
ICBBW-30**

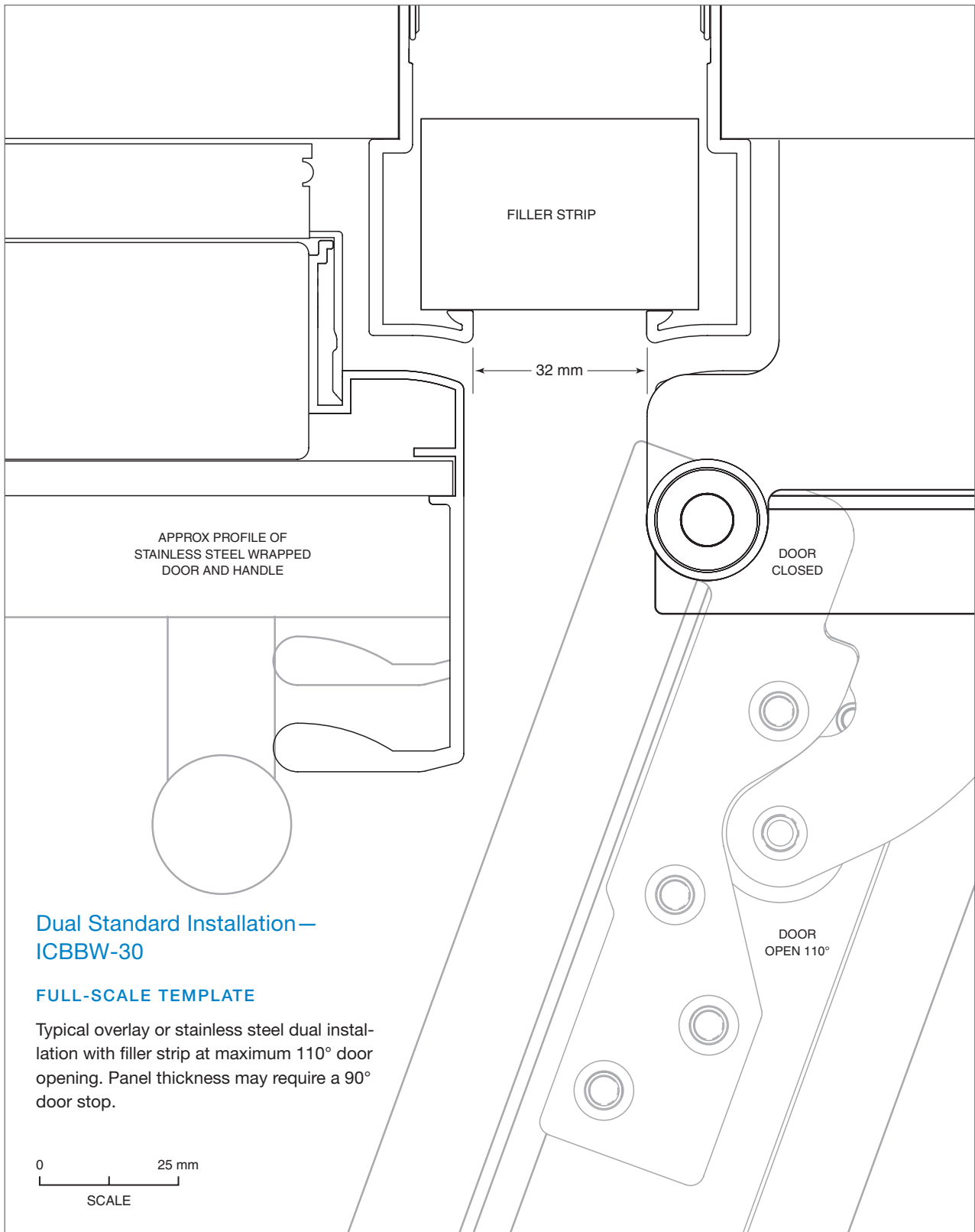
FULL-SCALE TEMPLATE

For panels thicker than 19 mm,
a 90° door stop may be required
to prevent interference with
adjacent cabinets.



110° door opening (top view)

WINE STORAGE

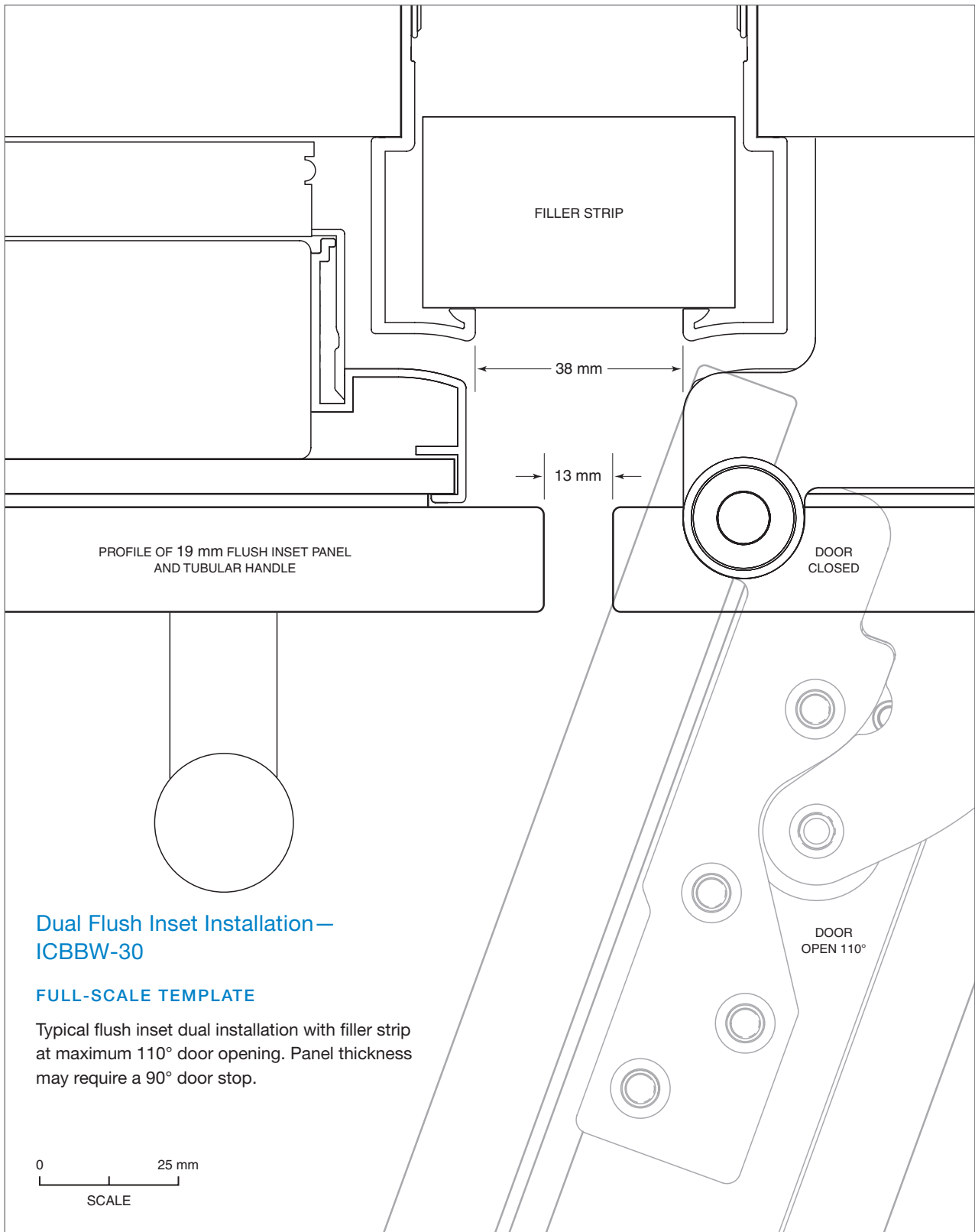


Dual Standard Installation— ICBBW-30

FULL-SCALE TEMPLATE

Typical overlay or stainless steel dual installation with filler strip at maximum 110° door opening. Panel thickness may require a 90° door stop.

Dual standard installation (top view)



Dual flush inset installation (top view)