

INDUCTION COOKTOPS

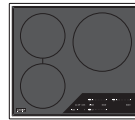
Induction Cooktops

Almost instantaneous temperature response. Practically no wasted heat. Induction cooking has been popular among European chefs and homeowners for decades. Now Wolf leads the way in bringing this remarkable technology to North American kitchens. Its secret is magnetism. Electromagnetic elements cause iron and magnetic stainless cookware to heat up instantly and with perfectly distributed heat. Heat generation stops the instant you turn off the element or remove the pan. The cooktop's surface remains cool. Your kitchen stays cooler too. Transitional models have a brushed stainless steel trim. Contemporary models can be mounted flush with the countertop.

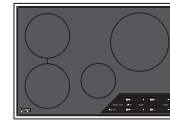
The following models have the same stainless steel frame as our module cooktops for paired installations: ICBCI243TF/S, ICBCI304TF/S, and ICBCI365TF/S.

INDUCTION COOKTOPS

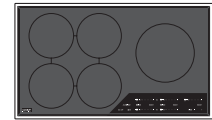
TRANSITIONAL



ICBCI243TF/S

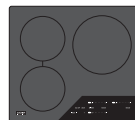


ICBCI304TF/S



ICBCI365TF/S

CONTEMPORARY



ICBCI243C/B



ICBCI304C/B

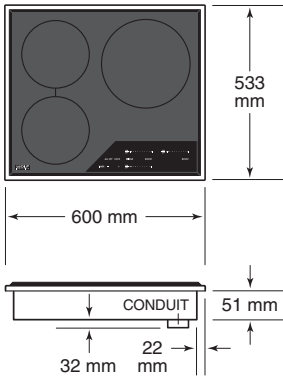


ICBCI365C/B

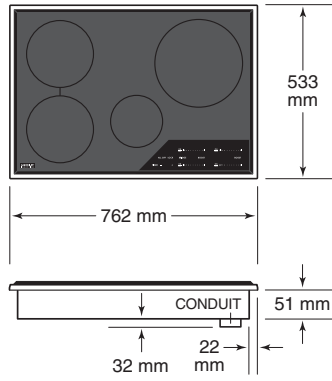
INDUCTION COOKTOPS

Induction Cooktops

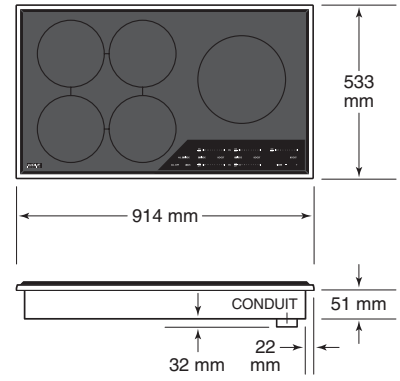
60 cm TRANSITIONAL



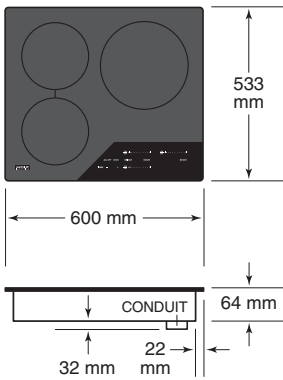
76 cm TRANSITIONAL



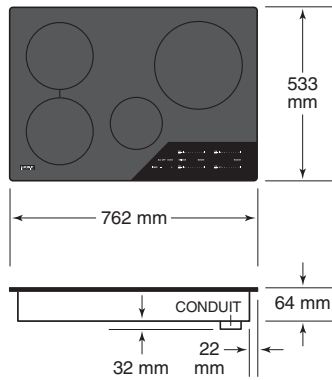
91 cm TRANSITIONAL



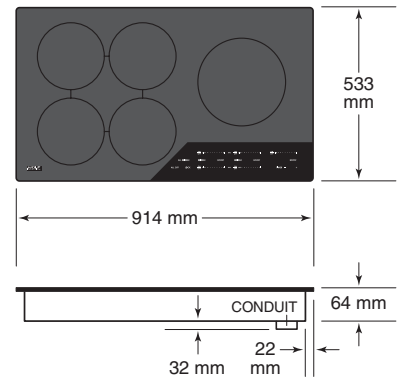
60 cm CONTEMPORARY



76 cm CONTEMPORARY



91 cm CONTEMPORARY



INDUCTION COOKTOPS

Induction Cooktops

ELEMENT RATING

60 cm COOKTOP		W
279 mm	2600 / 3150 boost	
203 mm	2100 / 3000 boost	
203 mm	2100	

76 cm COOKTOP		W
279 mm	2600 / 3150 boost	
203 mm	2100 / 3000 boost	
203 mm	2100	
152 mm	1400	

91 cm COOKTOP		W
279 mm	2600 / 3700 boost	
(2) 203 mm	2100 / 3000 boost	
(2) 203 mm	2100	

Planning Information

A minimum height clearance of 159 mm is required from the top of the countertop to any combustible surface directly below the cooktop.

Contemporary induction cooktops can be mounted flush with the top of the countertop, or as a frameless standard installation sitting on top of the countertop surface. If the cooktop is to be mounted flush with the countertop, a recessed area surrounding the cooktop cutout must be provided.

IMPORTANT NOTE: Flush mount installations are intended for granite, solid surface, or stone countertop surfaces only.

ELECTRICAL REQUIREMENTS

Installation must comply with all applicable electrical codes and be properly grounded (earthed).

Locate the electrical supply as shown in the illustrations on the following pages. A separate circuit servicing only this appliance is required.

Performance may be compromised if the electrical supply is less than 220 volts.

The cooktop is supplied with a single phase and 3-phase convertible power inlet box.

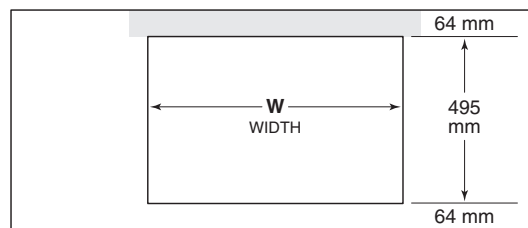
ELECTRICAL REQUIREMENTS

INDUCTION COOKTOPS	SINGLE PHASE	3-PHASE
Required Power Supply	220-240 V AC 50/60 Hz	380-415 V AC 50 Hz
TOTAL AMPS	SINGLE PHASE	3-PHASE
60 cm Induction	30	16
76 cm Induction	32	16
91 cm Induction	48	16

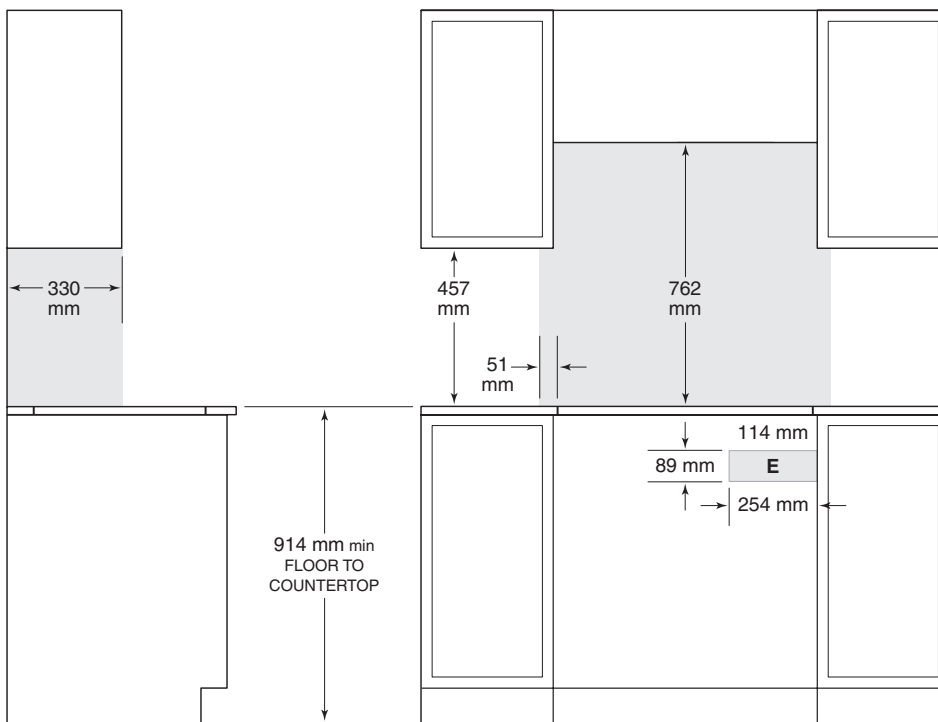
INDUCTION COOKTOPS

60 cm / 76 cm / 91 cm Induction Cooktop

STANDARD INSTALLATION



COUNTERTOP CUTOUT



SIDE VIEW

FRONT VIEW

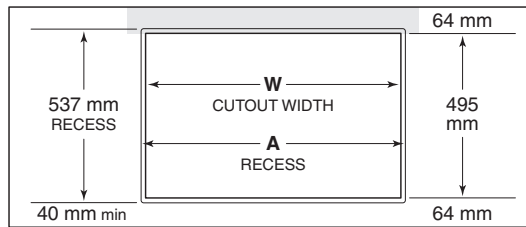
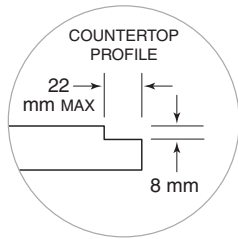
*NOTE: Shaded area above countertop indicates minimum clearance to combustible surfaces, combustible materials cannot be located within this area.
Electrical supply location only applies to installations with built-in oven.*

CUTOUT WIDTH	W
60 cm Cooktop	562 mm
76 cm Cooktop	737 mm
91 cm Cooktop	889 mm

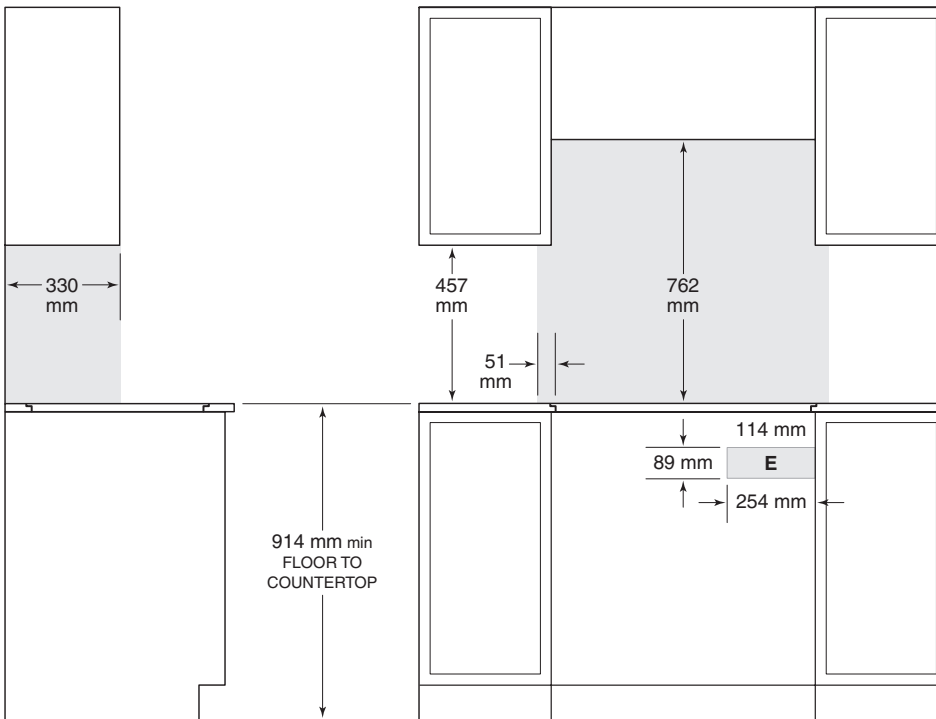
INDUCTION COOKTOPS

60 cm / 76 cm / 91 cm Induction Cooktop

FLUSH INSTALLATION



COUNTERTOP CUTOUT



SIDE VIEW

FRONT VIEW

*NOTE: Shaded area above countertop indicates minimum clearance to combustible surfaces, combustible materials cannot be located within this area.
Electrical supply location only applies to installations with built-in oven.
Outside corner radius 11 mm.*

CUTOUT WIDTH	W	A
60 cm Cooktop	562 mm	603 mm
76 cm Cooktop	737 mm	765 mm
91 cm Cooktop	889 mm	918 mm