

## CONTEMPORARY INDUCTION COOKTOP W.914 ICBCI365C/B

The ICBCI365C/B offers 5 highly efficient, low energy induction elements, with a unique bridging feature for even greater flexibility.

Wolf's new line of induction cooktops heats cookware instantly and delivers precise control at both high and low end, all on a cool, safe cooking surface. Sear, saute, simmer with complete confidence.

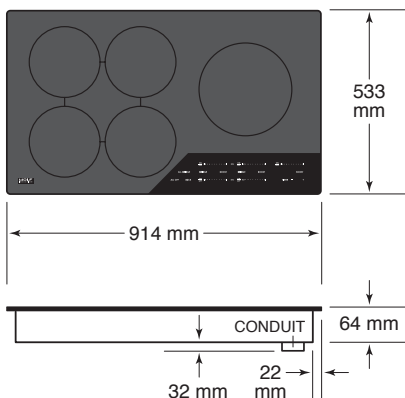
Induction cooking has been used for decades by professionals and homeowners demanding the best in performance. They are 90-95% energy efficient; as a result, no heat is wasted because energy is supplied directly to the cooking vessel.

## SPECIFICATIONS

### Key Features:

- Unique bridging feature for even greater flexibility
- Lock mode—cooktop will be locked so that no elements can be turned on
- Universal OFF turns all elements off
- Countdown timer with 1 to 99 minute range
- Flexible cooking configurations for a variety of pan sizes and dish preparation
- Illuminated white LED sliding touch controls provide clean and clear feedback

### Technical Specifications:





## CONTEMPORARY INDUCTION COOKTOP W.914 ICBCI365C/B

### PLANNING INFORMATION

- A minimum height clearance of 159 mm is required from the top of the countertop to any combustible surface directly below the cooktop.
- Contemporary induction cooktops can be mounted flush with the top of the countertop, or as a frameless standard installation sitting on top of the countertop surface. If the cooktop is to be mounted flush with the countertop, a recessed area surrounding the cooktop cutout must be provided. Wolf downdraft systems cannot be used with contemporary induction cooktops.
- **IMPORTANT NOTE:** Flush mount installations are intended for granite, solid surface or stone countertop surfaces only.

### ELECTRICAL

- Installation must comply with all applicable electrical codes and be properly grounded (earthed).
- Locate the electrical supply as shown in the illustrations on the following pages. A separate circuit, servicing only this appliance is required.
- Performance may be compromised if the electrical supply is less than 220 volts.
- The cooktop is supplied with a single phase and 3-phase convertible power inlet box.

### ELECTRICAL REQUIREMENTS

INDUCTION COOKTOPS	SINGLE PHASE	3-PHASE
Required Power Supply	220-240 V AC 50/60 Hz	380-415 V AC 50 Hz

TOTAL AMPS	SINGLE PHASE	3-PHASE
60 cm Induction	30	16
76 cm Induction	32	16
91 cm Induction	48	16

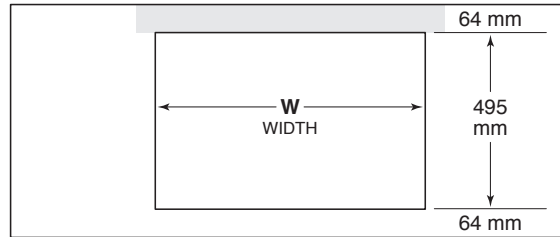
### ELEMENT RATING

91 cm COOKTOP	W
279 mm	2600   3700 boost
(2) 203 mm	2100   3000 boost
(2) 203 mm	2100

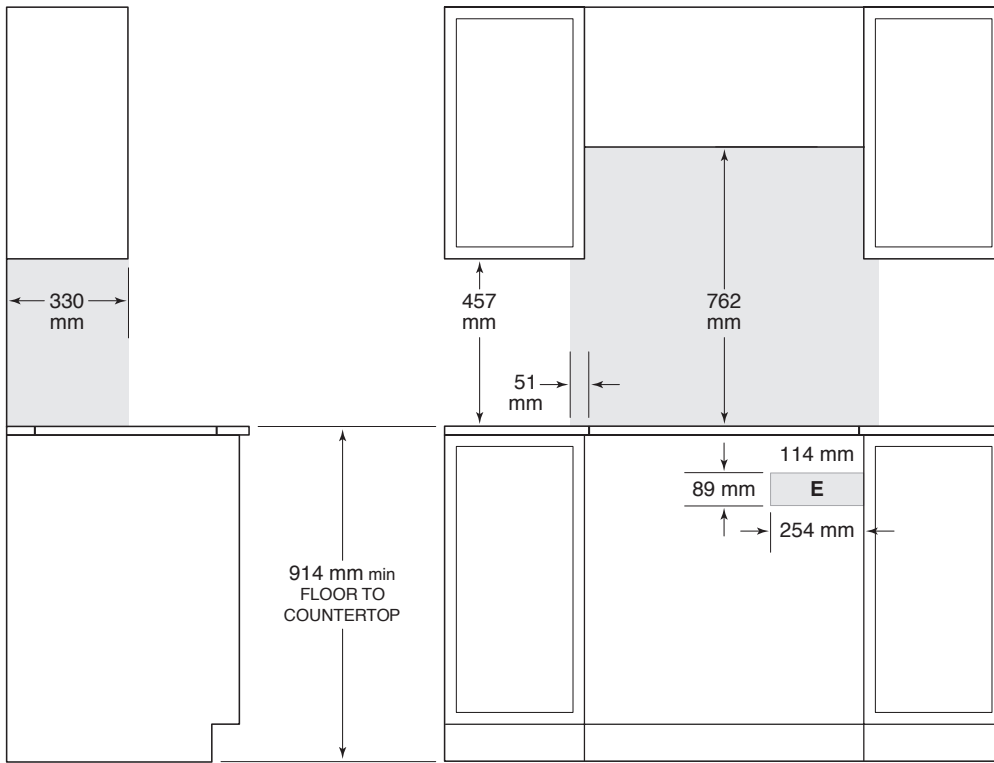


# CONTEMPORARY INDUCTION COOKTOP W.914

## ICBCI365C/B STANDARD INSTALLATION



COUNTERTOP CUT-OUT



SIDE VIEW

FRONT VIEW

*NOTE: Shaded area above countertop indicates minimum clearance to combustible surfaces, combustible materials cannot be located within this area.  
Electrical supply location only applies to installations with built-in oven.*

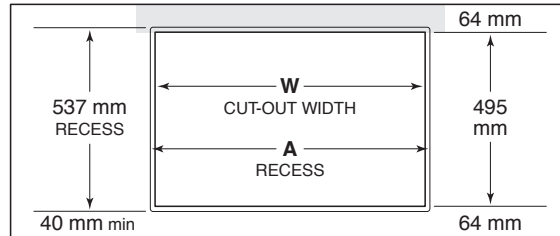
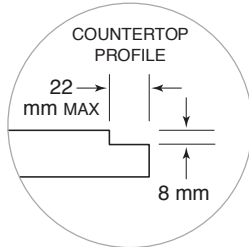
### CUTOUT WIDTH

60 cm Induction  
76 cm Induction  
91 cm Induction

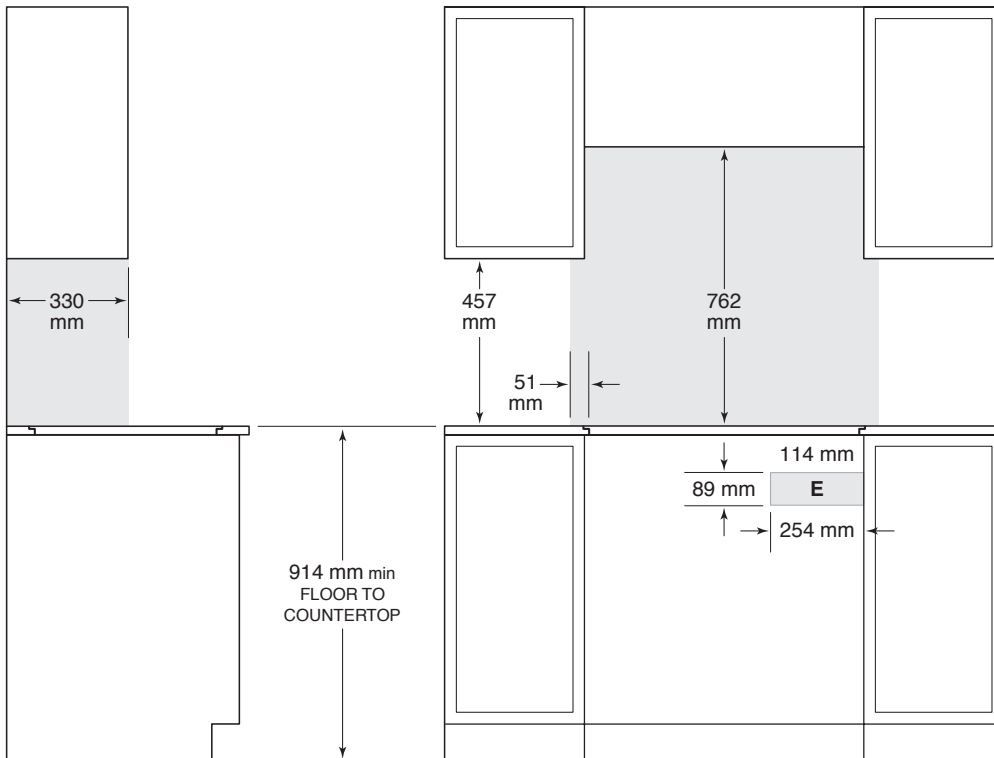
### W

562 mm  
737 mm  
889 mm

## CONTEMPORARY INDUCTION COOKTOP W.914 ICBCI365C/B FLUSH INSTALLATION



COUNTERTOP CUT-OUT



SIDE VIEW

FRONT VIEW

*NOTE: Shaded area above countertop indicates minimum clearance to combustible surfaces, combustible materials cannot be located within this area.*

*Electrical supply location only applies to installations with built-in oven.*

*Outside corner radius 11 mm.*

### CUTOUT WIDTH

60 cm Induction  
76 cm Induction  
91 cm Induction

### W

562 mm  
737 mm  
889 mm

### A

603 mm  
765 mm  
918 mm