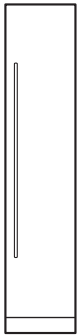


## DESIGNER REFRIGERATION

### Designer Refrigeration

With custom front panels and hardware, Sub-Zero invented Designer columns, tall, and drawer models that disappear into the decor. Designer units fit flush with other cabinets, making Designer refrigeration as practical and beautiful in the master suite, bar, or theatre room as in the kitchen. Model ICBID-24RO, approved for outdoor installations, is ideal for any outdoor kitchen.

### DESIGNER MODELS



ICBIC-18FI



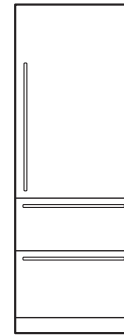
ICBIC-24R  
ICBIC-24FI  
ICBIC-24C



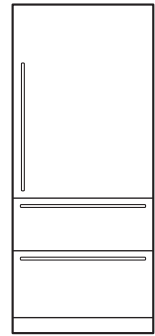
ICBIC-30RID  
ICBIC-30FI



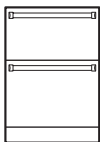
ICBIC-36RID



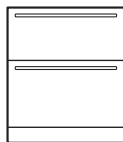
ICBIT-30RID  
ICBIT-30CIID



ICBIT-36CIID



ICBID-24RO



ICBID-30R  
ICBID-30CI

## DESIGNER REFRIGERATION

### Specifications

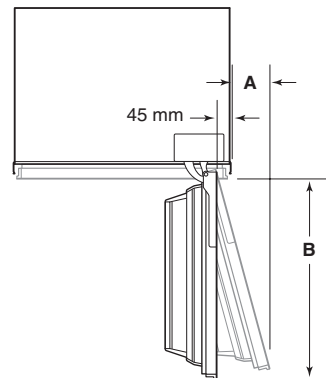
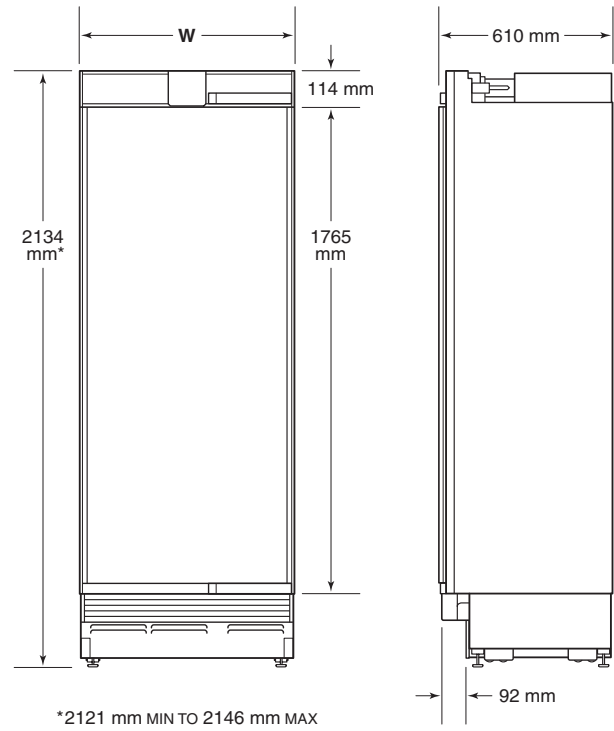
#### INTERIOR CAPACITY

COLUMN		
	R (L)	F (L)
ICBIC-18FI		230
ICBIC-24R	352	
ICBIC-24FI		338
ICBIC-24C	193	58
ICBIC-30RID	475	
ICBIC-30FI		415
ICBIC-36RID	590	
TALL		
	R (L)	F (L)
ICBIT-30RID	397	
ICBIT-30CIID	295	95
ICBIT-36CIID	359	130
DRAWER		
	R (L)	F (L)
ICBID-24RO	113	
ICBID-30R	138	
ICBID-30CI	58	39

**IMPORTANT NOTE:** Dimensions do not include panels or handles. Dimensions will vary with panel thickness.

### Designer Refrigeration

#### COLUMN

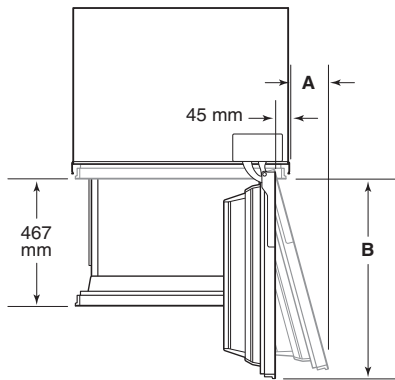
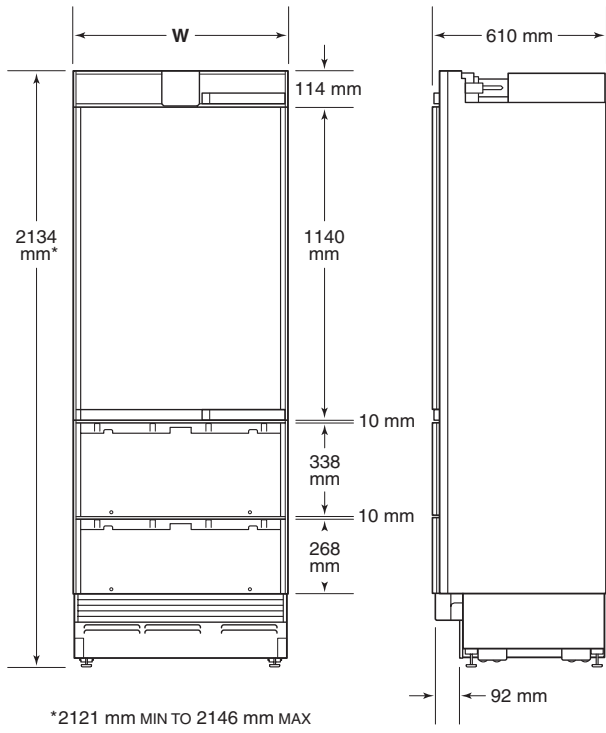


COLUMN	W	A	B
ICBIC-18FI	457 mm	64 mm	419 mm
ICBIC-24R, ICBIC-24FI, ICBIC-24C	610 mm	102 mm	572 mm
ICBIC-30RID, ICBIC-30FI	762 mm	143 mm	724 mm
ICBIC-36RID	914 mm	184 mm	876 mm

DESIGNER REFRIGERATION

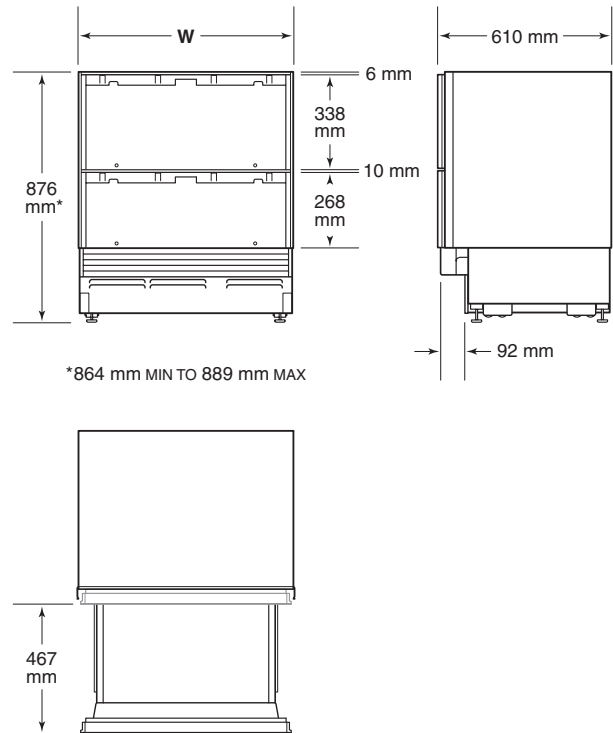
Designer Refrigeration

TALL



TALL	W	A	B
ICBIT-30RID, ICBIT-30CIID	762 mm	143 mm	724 mm
ICBIT-36CIID	914 mm	184 mm	876 mm

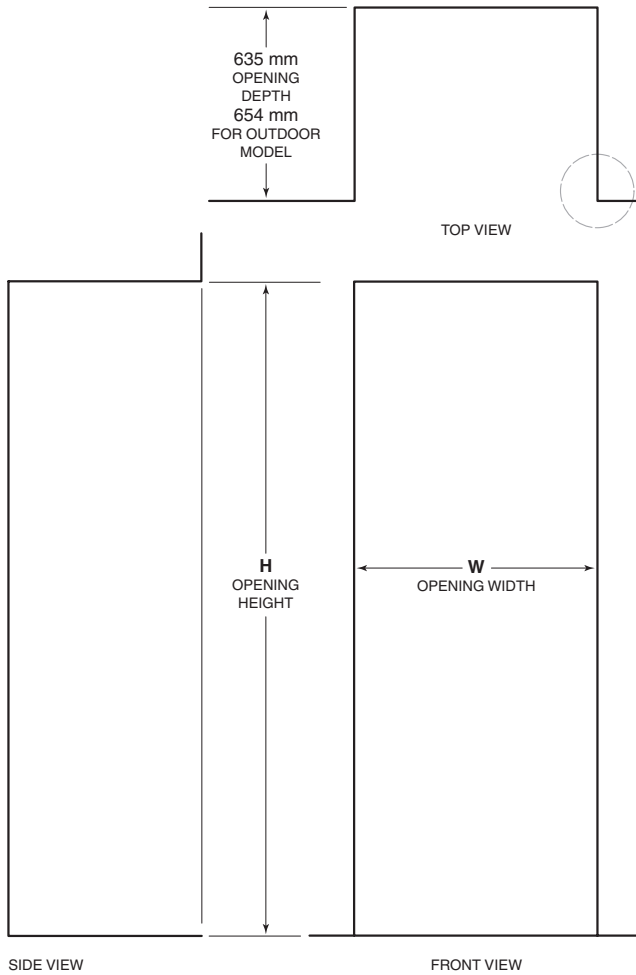
DRAWER



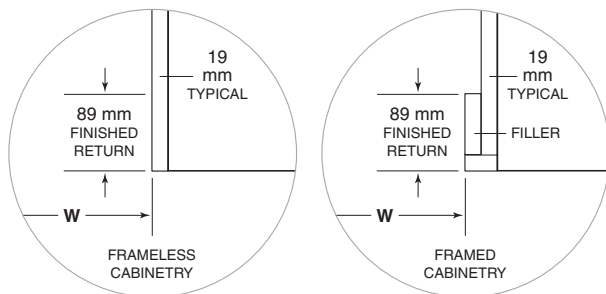
DRAWER	W
ICBID-24RO	610 mm
ICBID-30R, ICBID-30CI	762 mm

## Opening Dimensions

### DESIGNER MODELS



NOTE: 89 mm finished returns will be visible and should be finished to match cabinetry—114 mm for outdoor model.



### OPENING DIMENSIONS

COLUMN	W*	H
457 mm Column	457 mm	2134 mm
610 mm Column	610 mm	2134 mm
762 mm Column	762 mm	2134 mm
914 mm Column	914 mm	2134 mm
TALL	W*	H
762 mm Tall	762 mm	2134 mm
914 mm Tall	914 mm	2134 mm
DRAWER	W*	H
610 mm Drawer	610 mm	876 mm
762 mm Drawer	762 mm	876 mm

\*For stainless steel side panel accessory, add 25 mm per panel to opening width.

The depth of each Designer model is 610 mm. Allow for panel thickness when planning the finished opening depth. A minimum 89 mm finished return is required on all sides of the opening—114 mm for the outdoor model. Framed cabinets will require additional finished filler material behind the face frame for a proper installation. Refer to the illustration.

### DUAL INSTALLATION

When installing two units side by side in a dual installation, the opening width is the width of the two units added together. A dual installation kit will be required for this installation. If a dual installation kit is not specified, a minimum 51 mm filler strip is required between the units.

Dual installation kits are available through an authorized Sub-Zero dealer. For questions regarding the installation, contact your authorized Sub-Zero dealer.

## DESIGNER REFRIGERATION

### Electrical Requirements

Installation must comply with all applicable electrical codes and be properly grounded (earthed).

The electrical supply must be located within the shaded area shown in the illustration and chart below. A separate circuit servicing only this appliance is required.

**IMPORTANT NOTE:** For indoor models, a ground fault circuit interrupter (GFCI) is not recommended and may cause interruption of operation.

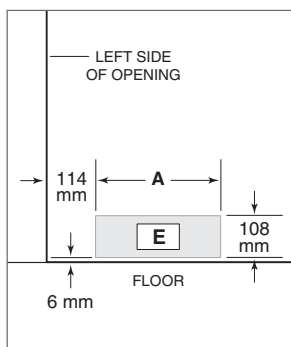
For the outdoor model, a ground fault circuit interrupter (GFCI) is required to reduce the risk of electrical shock.

#### ELECTRICAL REQUIREMENTS

Power Supply	220-240 V AC, 50/60 Hz
Circuit Breaker	10 amp
Receptacle	grounding-type (earthed)

#### ELECTRICAL SUPPLY LOCATION

	A
457 mm Model	152 mm
610 mm Model	241 mm
762 mm Model	318 mm
914 mm Model	394 mm



Electrical supply location

### Plumbing Requirements

Installation must comply with all applicable plumbing codes.

The water supply line should be located within the shaded area shown in the illustration below. The water supply line should be connected to the house supply with an easily accessible shut-off valve. Do not use self-piercing valves.

The water supply line must not interfere with installation of the anti-tip bracket.

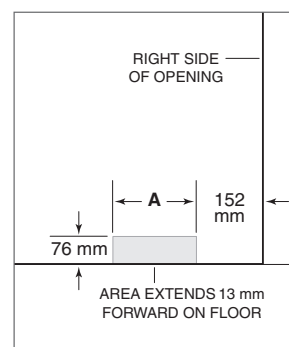
A reverse osmosis system can be used provided there is constant water pressure of 2.4–8.3 bar supplied to the unit at all times. A copper line is not recommended for this application.

#### PLUMBING REQUIREMENTS

Water Supply Line	6.4 mm OD copper line, braided stainless steel, or PEX tubing
Water Pressure	2.4–8.3 bar
Excess Water Line for Connection	.9 m

#### WATER SUPPLY LOCATION

	A
457 mm Model	76 mm
610 mm Model	140 mm
762 mm Model	152 mm
914 mm Model	229 mm



Water supply location

### Stainless Steel Panels

The outdoor model requires the use of Sub-Zero stainless steel outdoor accessory panels. Stainless steel panels are available through an authorized Sub-Zero dealer.

The thickness of the indoor stainless steel panels is 19 mm and outdoor stainless steel panels is 38 mm. The depth of each Designer model is 610 mm. Allow for panel thickness when planning the finished opening depth.

3 mm reveals are typical, however, the reveal between the upper and lower outdoor stainless steel panels is 6 mm to accommodate the lock.

### Custom Panels

For Designer models, custom door panels and handle hardware must be provided. Refer to the panel requirements chart and typical panel dimensions.

The thickness of the custom panel can vary. A minimum 16 mm thick panel is required, but the thickness can be increased provided it does not exceed the weight limit. The depth of each Designer model is 610 mm. Allow for panel thickness when planning the finished opening depth. Refer to the full-scale template on page 41.

**⚠ CAUTION**

As reveals between cabinetry and the unit decrease, severe finger pinching can occur while door is closing.

Finish all sides of the custom panels. They will be visible when the door/drawer is open.

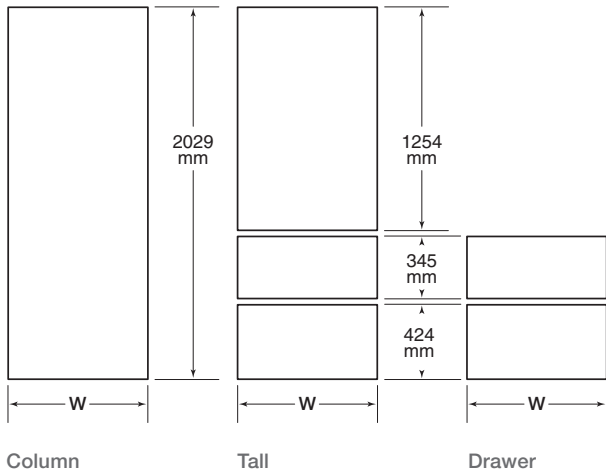
D-style handles are recommended. Door handles must be located near the edge of the panel opposite the hinge and should be centered top to bottom. Drawer handles must be located near the top edge of each panel. Stainless steel tubular and pro handles are available through an authorized Sub-Zero dealer.

**PANEL REQUIREMENTS**

<b>COLUMN</b>	<b>MAX WEIGHT</b>
457 mm Model	20 kg
610 mm Model	27 kg
762 mm Model	34 kg
914 mm Model	34 kg
<b>TALL (DOOR)</b>	<b>MAX WEIGHT</b>
762 mm Model	22 kg
914 mm Model	27 kg
<b>DRAWER</b>	<b>MAX WEIGHT</b>
Drawer Panel	7 kg
<b>PANEL THICKNESS</b>	<b>MINIMUM</b>
All Panels	16 mm

### Custom Panels

#### TYPICAL PANEL DIMENSIONS



Typical panel dimensions are based on a 2134 mm finished height for column and tall models and 876 mm for drawer models, with a 102 mm toe kick and 3 mm reveals. Panel dimensions must be adjusted accordingly for all other installations. Refer to the illustration for panel heights and the chart below for panel widths.

PANEL WIDTH	W
457 mm Model	451 mm
610 mm Model	603 mm
762 mm Model	756 mm
914 mm Model	908 mm

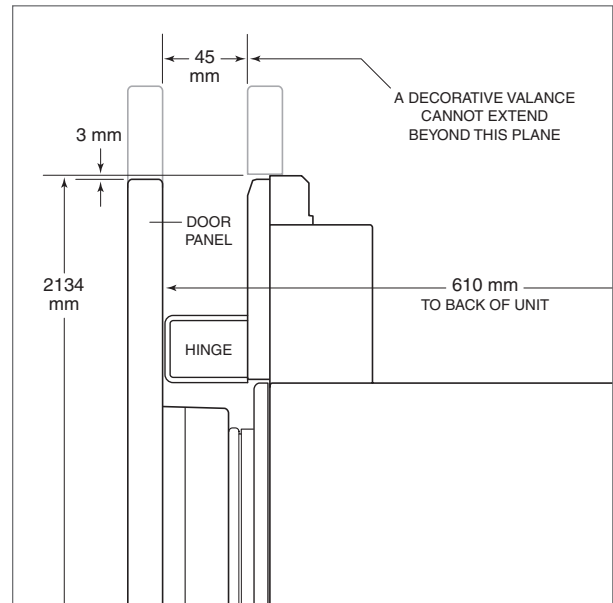
#### DUAL INSTALLATION

For dual installations, refer to the illustration for panel heights and the chart below for panel widths.

PANEL WIDTH—DUAL INSTALLATION	W
457 mm Model	452 mm
610 mm Model	605 mm
762 mm Model	757 mm
914 mm Model	910 mm

#### DOOR PANEL HEIGHT

The height of the custom door panel can extend beyond the typical panel height, provided it does not exceed the weight limit. Refer to the illustration below.



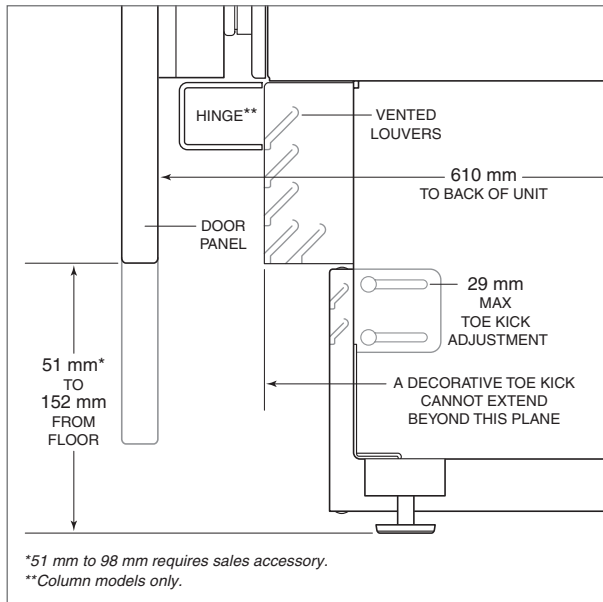
Upper valance—column and tall (side view)

## DESIGNER REFRIGERATION

### Custom Panels

#### TOE KICK CLEARANCE

**Indoor Models Only:** The height of the toe kick area can extend beyond the typical toe kick height, provided it does not exceed the dimensions in the illustration below. Toe kick heights from 51 mm to 98 mm require a reduced toe kick accessory available through an authorized Sub-Zero dealer.



Toe kick (side view)

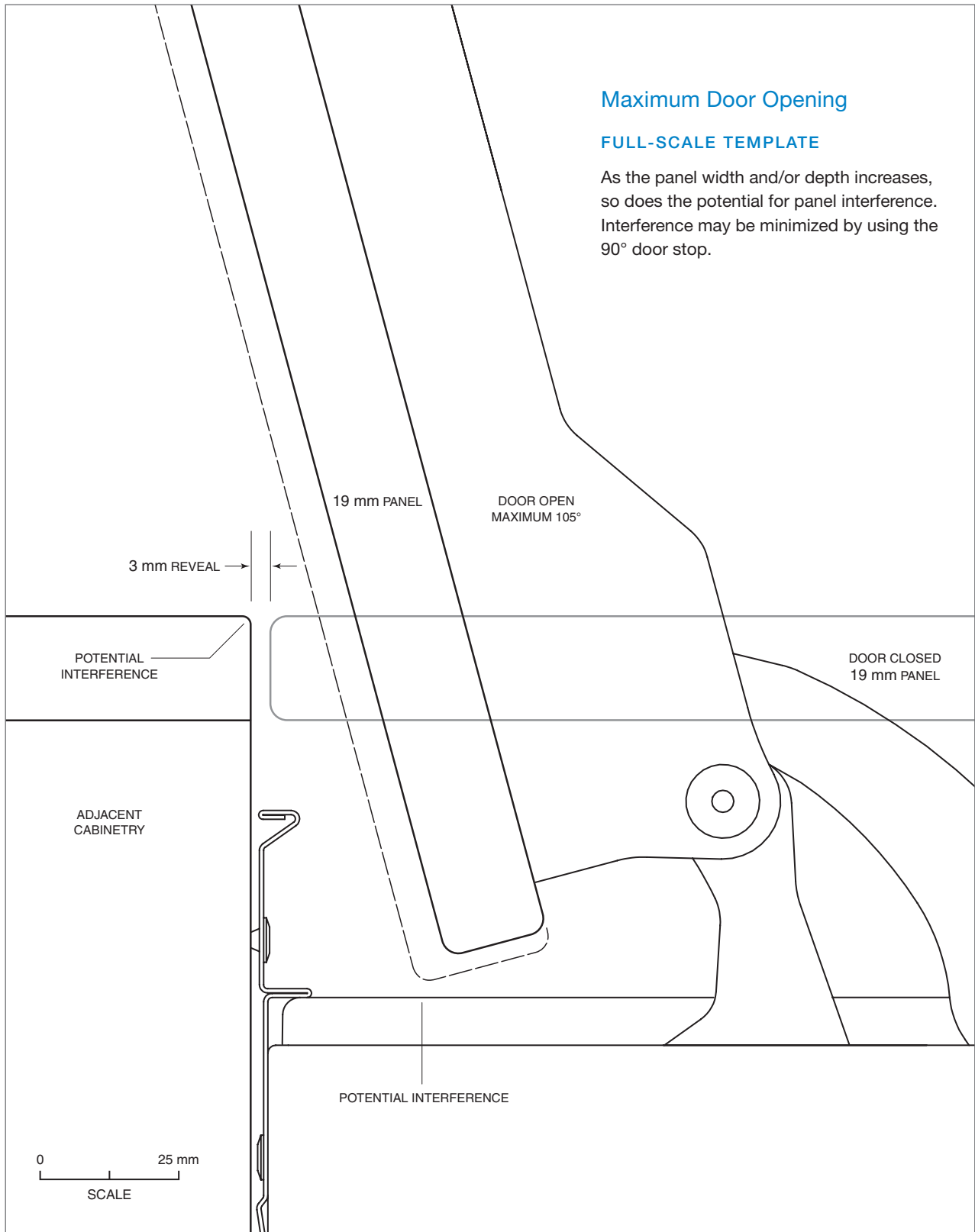
### Standard Handles

Optional stainless steel tubular and pro handles are available through an authorized Sub-Zero dealer.

Refer to the chart below for standard handle lengths for Designer models.

HANDLE LENGTH	TUBULAR	PRO
Column Door	1273 mm	1229 mm
Tall Door	845 mm	800 mm
610 mm Drawer	540 mm	495 mm
762 mm Drawer	692 mm	648 mm
914 mm Drawer	845 mm	800 mm





### Maximum Door Opening

#### FULL-SCALE TEMPLATE

As the panel width and/or depth increases, so does the potential for panel interference. Interference may be minimized by using the 90° door stop.

Maximum door opening (top view)