

MICROWAVE OVENS

Microwave Ovens

As true cooking instruments, Wolf microwave ovens have features that make fast meals better meals. The new drop-down door microwaves feature a door that hinges at the bottom. Drop-down door microwaves are designed to match Wolf transitional, professional, and contemporary products. Microwave ovens can be installed in a standard or flush inset application.

DROP-DOWN DOOR MICROWAVES

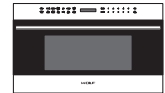
TRANSITIONAL



ICBMDD24TE/S/TH

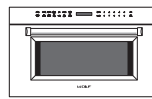


ICBMDD30TM/S/TH



ICBMDD30TE/S/TH

PROFESSIONAL



ICBMDD30PM/S/PH



ICBMDD30PE/S/PH

CONTEMPORARY

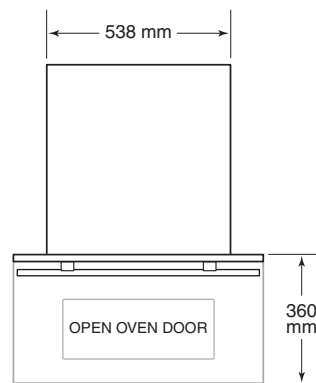
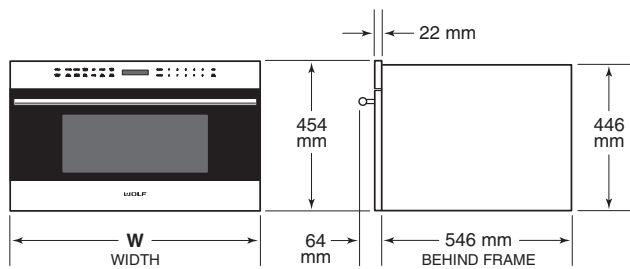


ICBMDD30CM/B/TH

MICROWAVE OVENS

Drop-Down Door Microwave Ovens

TRANSITIONAL

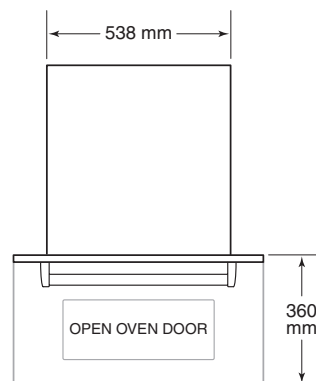
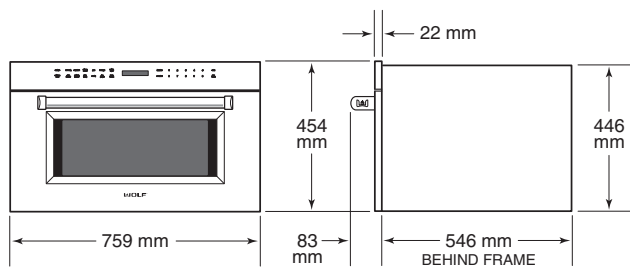


WIDTH

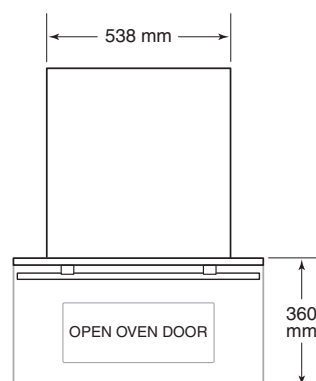
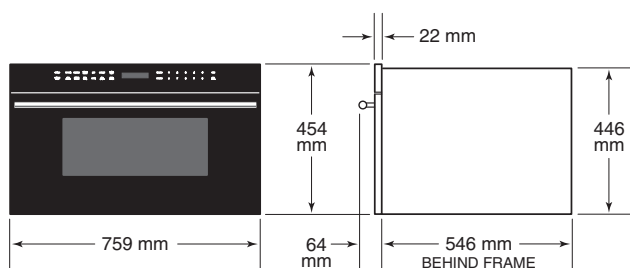
W

60 cm Model	597 mm
76 cm Model	759 mm

PROFESSIONAL



CONTEMPORARY



MICROWAVE OVENS

Planning Information

DROP-DOWN DOOR MICROWAVE

The drop-down door microwave oven can be installed in a standard or flush inset application.

Finish the edges of the opening. They may be visible when the door is open.

For standard installations, the face trim will overlap stiles and rails. Refer to the chart below.

For flush inset installations, a minimum 3 mm reveal is required on all sides. To ensure consistent reveals, each corner of the opening must be exactly 90°.

INSTALLATION REQUIREMENTS

BASE SUPPORT			MIN
Drop-Down Door Microwave			57 kg
TRIM OVERLAP	60 cm MODEL	76 cm MODEL	
Top	5 mm	5 mm	
Bottom	0 mm	0 mm	
Sides	18 mm	98 mm	

ELECTRICAL REQUIREMENTS

Installation must comply with all applicable electrical codes and be properly grounded (earthed).

Locate the electrical supply as shown in the illustrations on the following pages. The receptacle may also be located in an adjacent cabinet within reach of the power cord. A separate circuit servicing only this appliance is required. A ground fault circuit interrupter (GFCI) is not recommended and may cause interruption of operation.

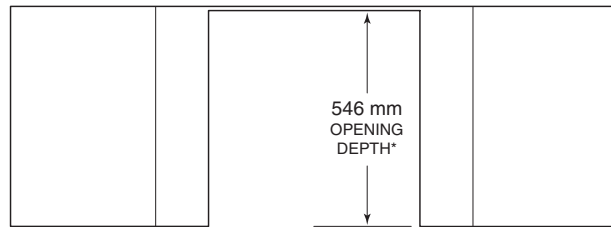
ELECTRICAL REQUIREMENTS

Electrical Supply	220-240 V AC, 50/60 Hz
Service	1600 W
Receptacle	grounding-type (earthed)
Power Cord	1.2 m

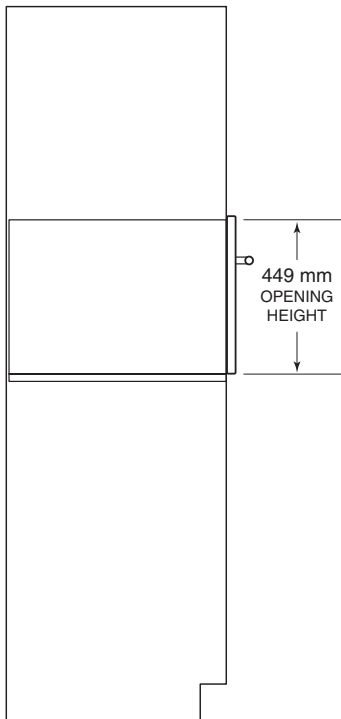
MICROWAVE OVENS

Drop-Down Door Microwave Oven

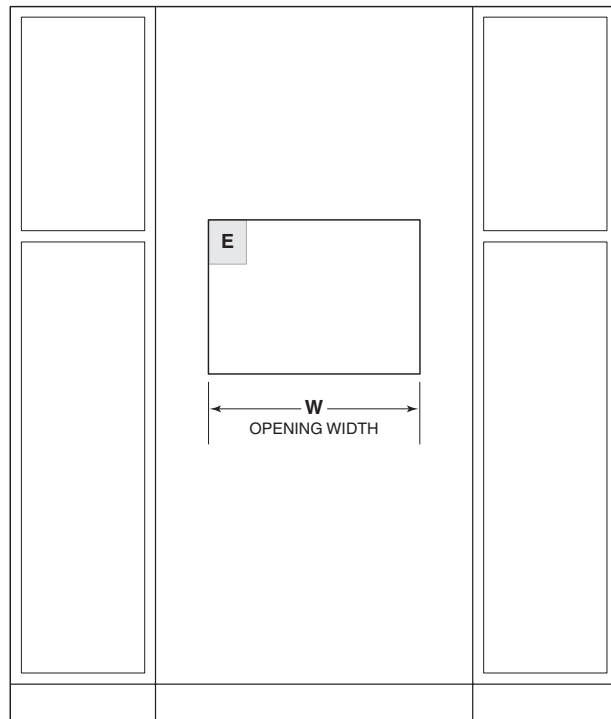
STANDARD INSTALLATION



TOP VIEW



SIDE VIEW



FRONT VIEW

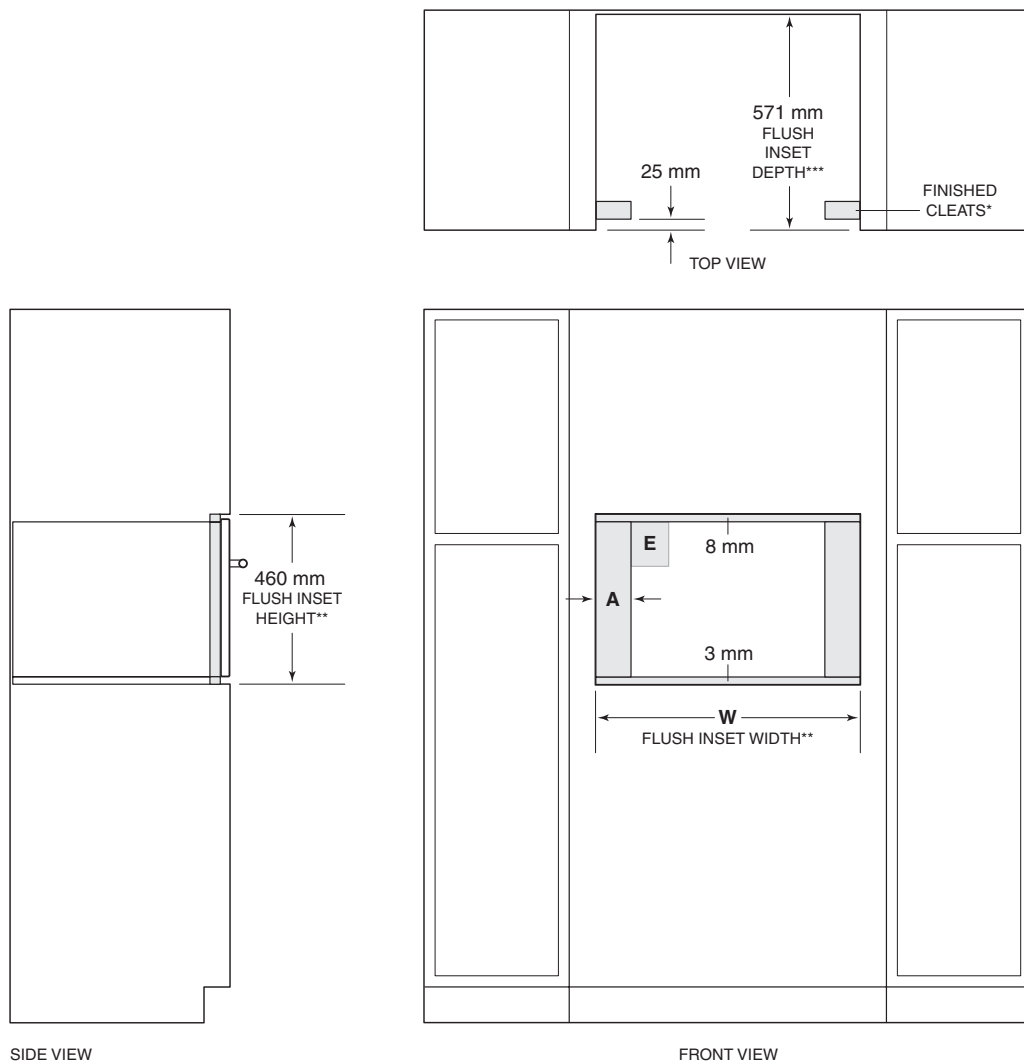
**Does not include additional depth for the electrical connection.
NOTE: Both 60 cm and 76 cm models require the same opening dimensions.*

OPENING WIDTH	W
60 cm Model	562 mm
76 cm Model	562 mm

MICROWAVE OVENS

Drop-Down Door Microwave Oven

FLUSH INSET INSTALLATION



*Will be visible and should be finished to match cabinetry.

**Dimension provides minimum reveals.

***Does not include additional depth for the electrical connection.

FLUSH INSET WIDTH	W	A
60 cm Model	603 mm	21 mm
76 cm Model	765 mm	102 mm