

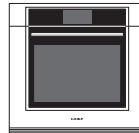
M SERIES OVENS

M Series Built-In Ovens

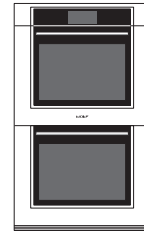
Four striking looks are just the beginning. Superior performance features include our advanced Dual VertiCross™ convection fan system, touch-screen controls, convenient preset cooking programs, and improved interior lighting. There is more usable space inside for deliciousness on a grand scale. M series ovens can be installed in a standard or flush inset application.

M SERIES OVENS

TRANSITIONAL

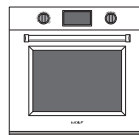


ICBSO30TM/S/TH

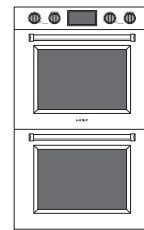


ICBDO30TM/S/TH

PROFESSIONAL



ICBSO30PM/S/PH

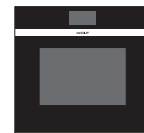


ICBDO30PM/S/PH

CONTEMPORARY



ICBSO30CM/S



ICBSO30CM/B



ICBDO30CM/S

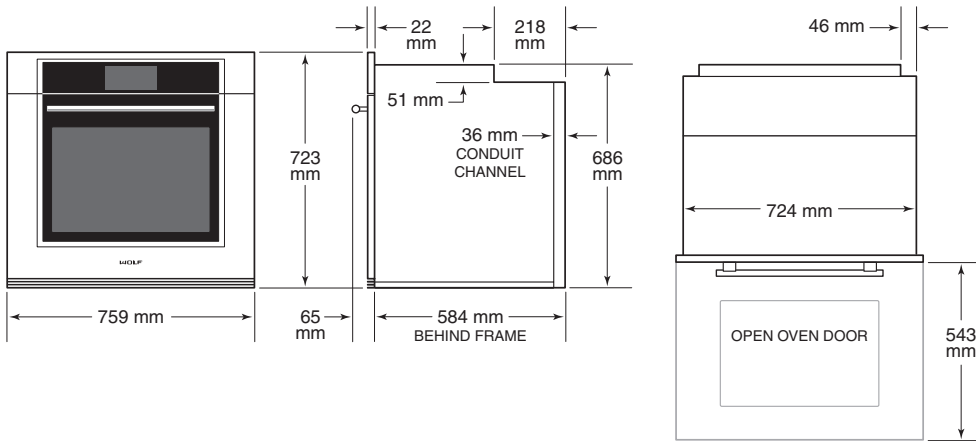


ICBDO30CM/B

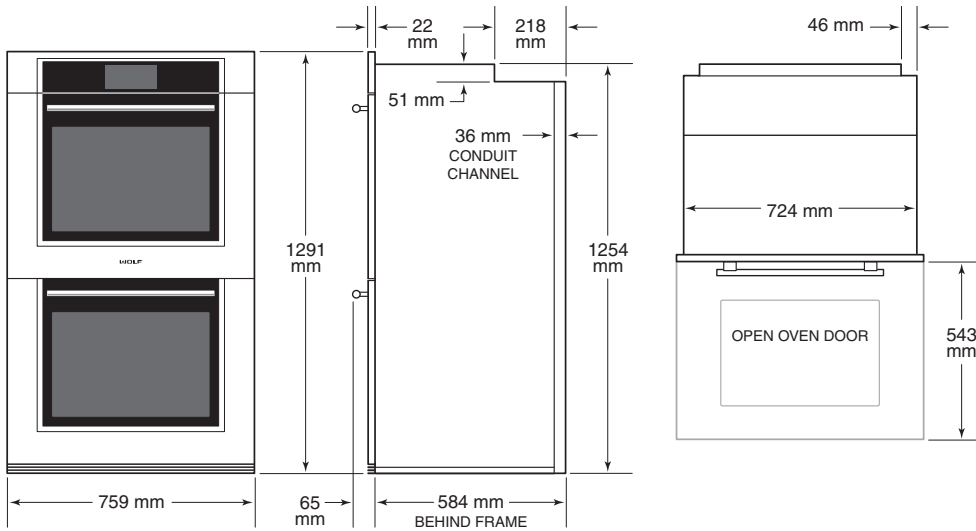
M SERIES OVENS

M Series Built-In Ovens

TRANSITIONAL SINGLE OVEN



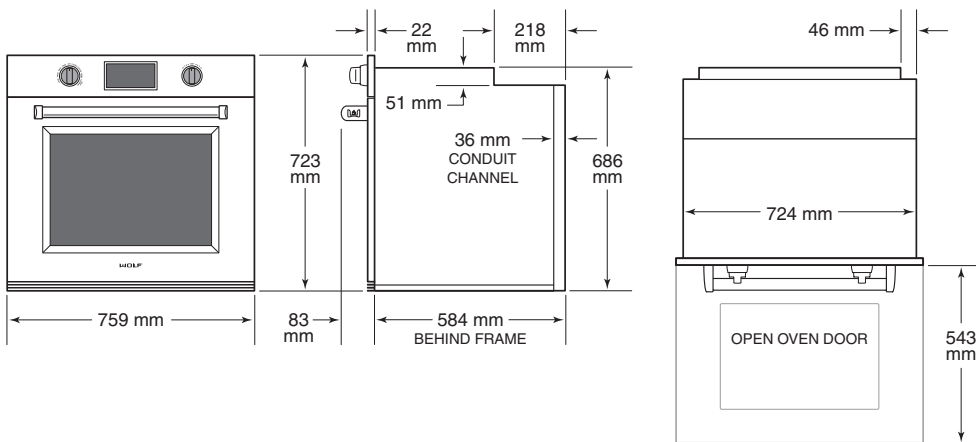
TRANSITIONAL DOUBLE OVEN



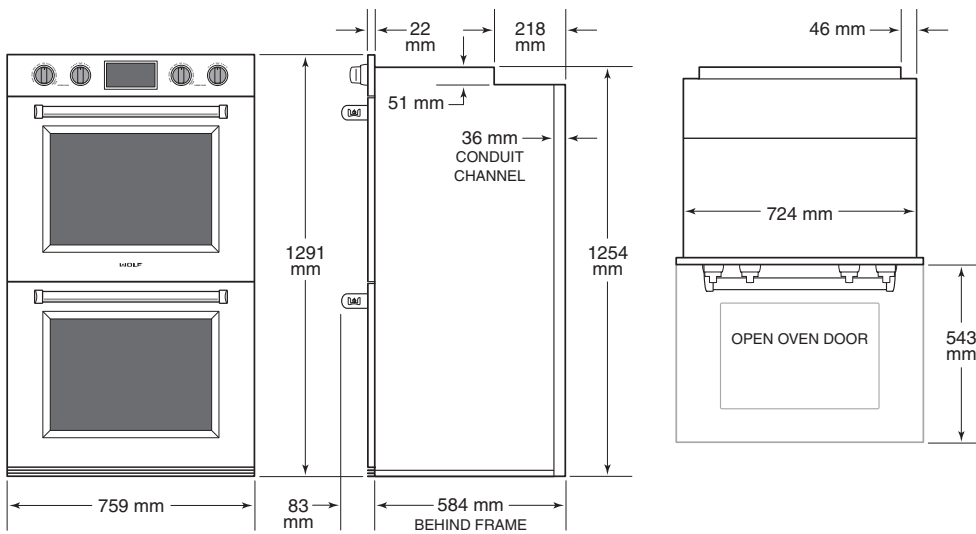
M SERIES OVENS

M Series Built-In Ovens

PROFESSIONAL SINGLE OVEN



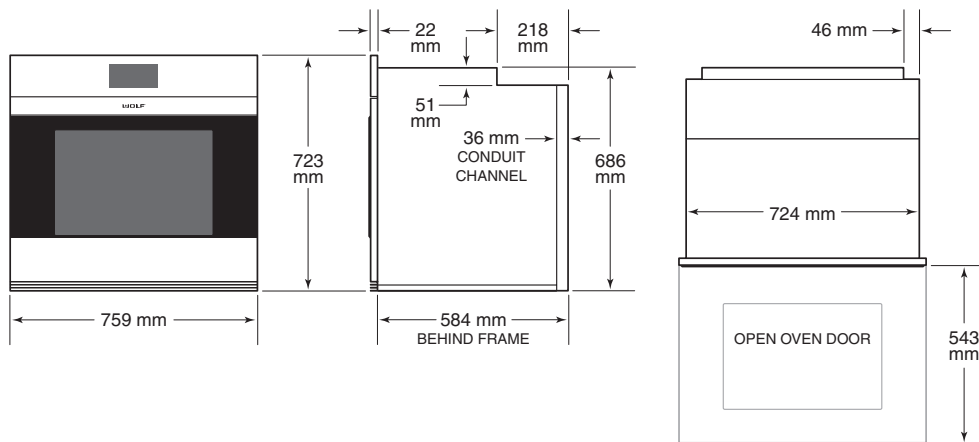
PROFESSIONAL DOUBLE OVEN



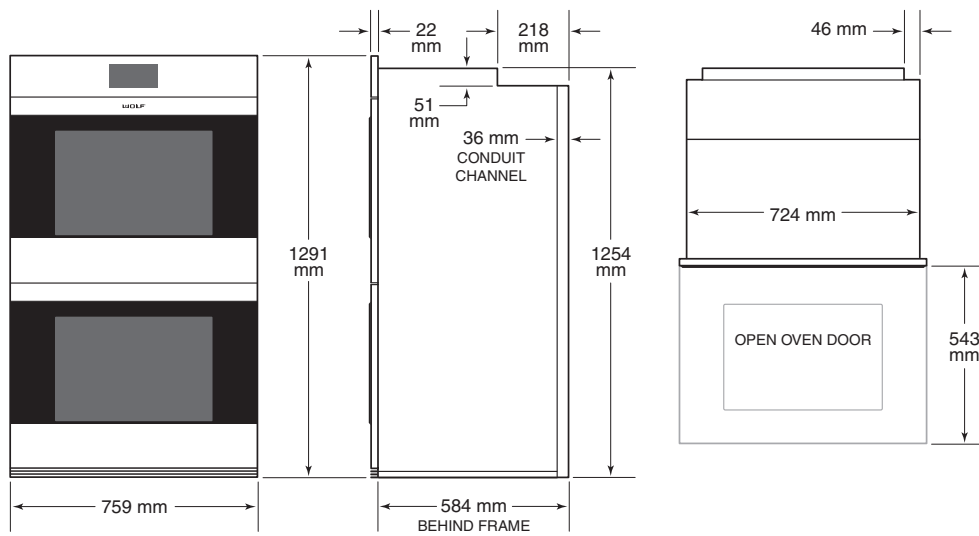
M SERIES OVENS

M Series Built-In Ovens

CONTEMPORARY STAINLESS STEEL SINGLE OVEN



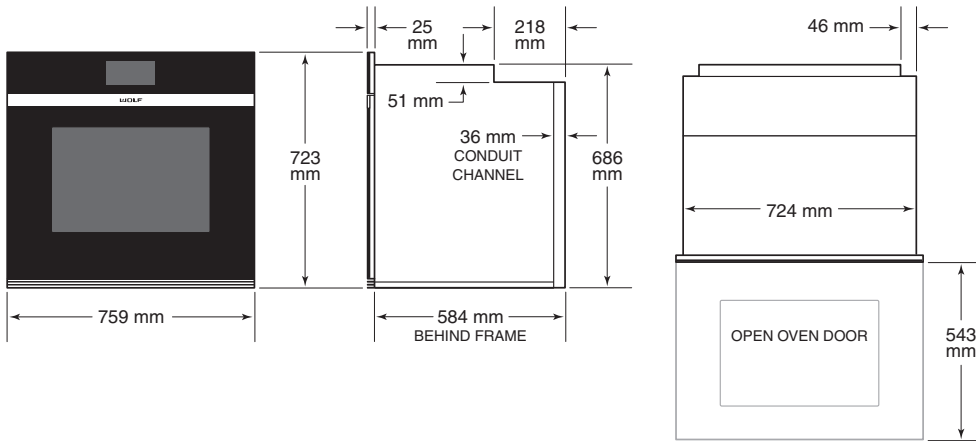
CONTEMPORARY STAINLESS STEEL DOUBLE OVEN



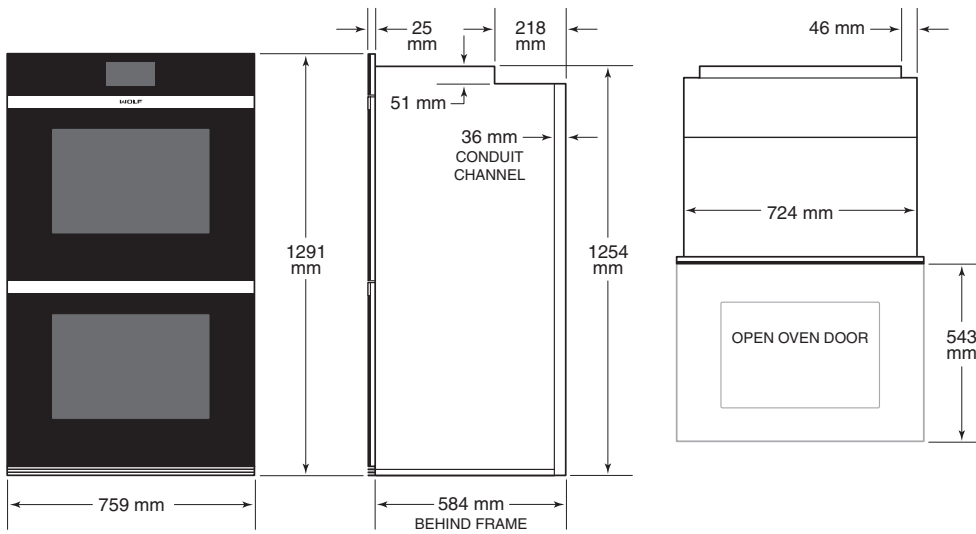
M SERIES OVENS

M Series Built-In Ovens

CONTEMPORARY BLACK GLASS SINGLE OVEN



CONTEMPORARY BLACK GLASS DOUBLE OVEN



M SERIES OVENS

Planning Information

The M series oven can be installed in a standard or flush inset application. If a cooktop is installed above an oven, a minimum of 6 mm is required between the units. Location of the electrical supply within the oven opening may require additional cabinet depth.

Finish the edges of the opening. They may be visible when the door is open.

For standard installations, the face trim will overlap stiles and rails. Refer to the chart below.

For flush inset installations, a minimum 3 mm reveal is required on all sides. To ensure consistent reveals, each corner of the opening must be exactly 90°.

INSTALLATION REQUIREMENTS

BASE SUPPORT	MIN
Single Oven	115 kg
Double Oven	181 kg

TRIM OVERLAP	
Top	25 mm
Bottom	0 mm
Sides	18 mm

DUAL INSTALLATION

Two 76 cm single M series ovens can be installed side by side in a standard or flush inset application. A dual installation kit is required. To maintain appropriate airflow, the ovens must be installed into one opening. Any cosmetic or structural material placed between the ovens will impede airflow and is not recommended. Refer to the illustrations on the following pages.

The dual installation kit is available through an authorized Wolf dealer.

ELECTRICAL REQUIREMENTS

Installation must comply with all applicable electrical codes and be properly grounded (earthed).

Locate the electrical supply flush with the back wall and within the shaded area shown in the illustration for your specific installation on the following pages. For ease of installation, the electrical supply for the oven can be placed in an adjacent cabinet within reach of the conduit.

Performance may be compromised if the electrical supply is less than 220 volts.

The oven is supplied with a single phase and 3-phase convertible power inlet box. The wiring diagram covering the control circuit is provided with the oven.

ELECTRICAL REQUIREMENTS

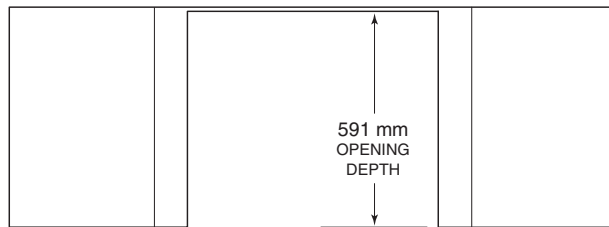
SINGLE OVEN	SINGLE PHASE	3-PHASE
Required Power Supply	220-240 V AC 50/60 Hz	380-415 V AC 50 Hz
Maximum Connected Load	4.2-4.8 kW	3.0-3.6 kW

DOUBLE OVEN	SINGLE PHASE	3-PHASE
Required Power Supply	220-240 V AC 50/60 Hz	380-415 V AC 50 Hz
Maximum Connected Load	8.4-9.6 kW	4.2-4.8 kW

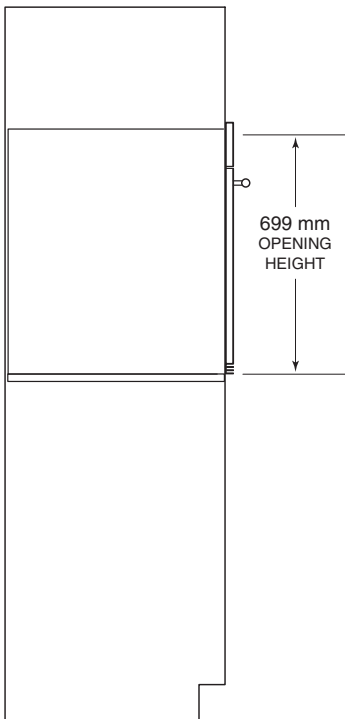
M SERIES OVENS

M Series Single Oven

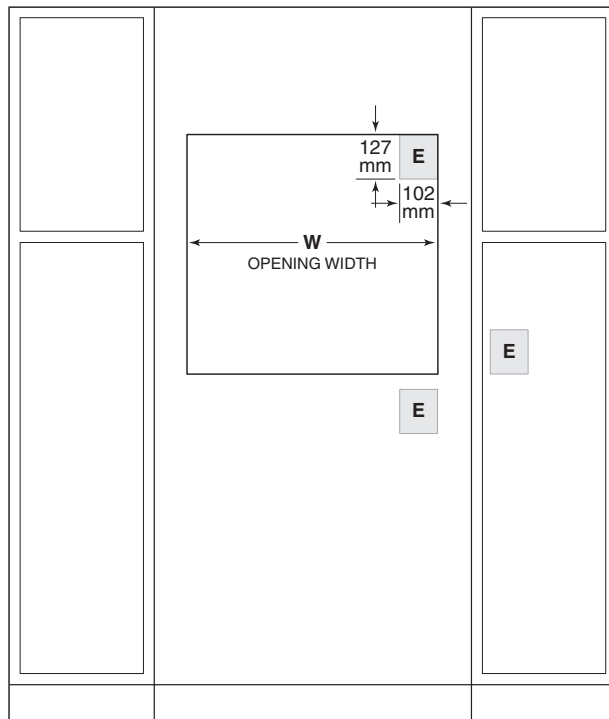
STANDARD INSTALLATION



TOP VIEW



SIDE VIEW



FRONT VIEW

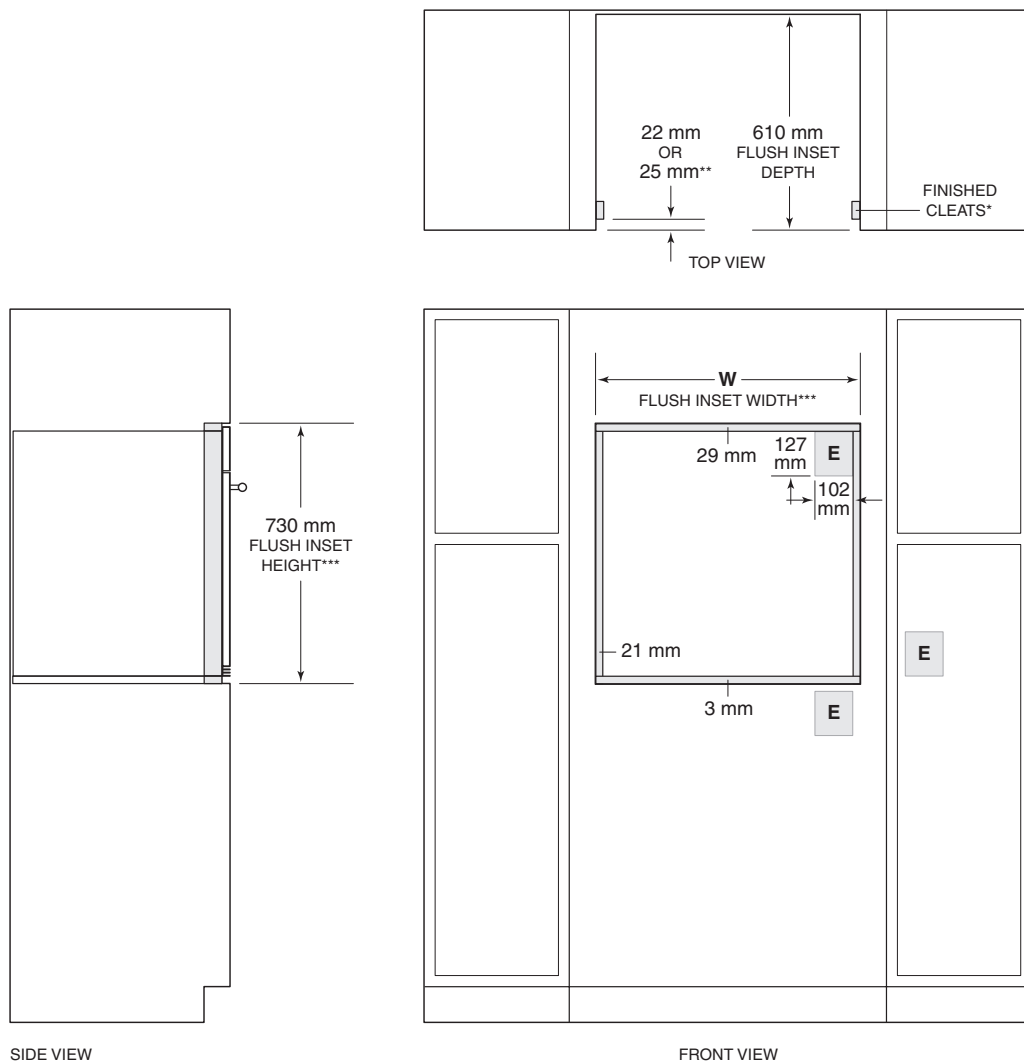
NOTE: Location of electrical supply within opening may require additional cabinet depth.

OPENING WIDTH	W
76 cm Model	724 mm

M SERIES OVENS

M Series Single Oven

FLUSH INSET INSTALLATION



*25 mm minimum depth. Shaded areas will be visible and should be finished to match cabinetry.

**22 mm for transitional, professional and contemporary stainless steel models and 25 mm for contemporary black glass model.

***Dimension provides minimum reveals.

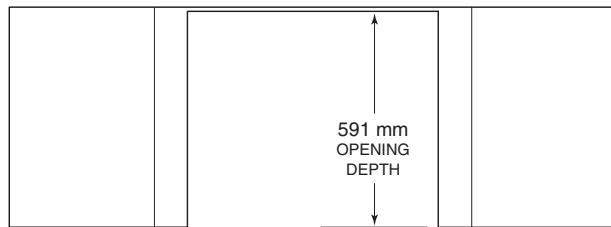
NOTE: Location of electrical supply within opening may require additional cabinet depth.

FLUSH INSET WIDTH	W
76 cm Model	765 mm

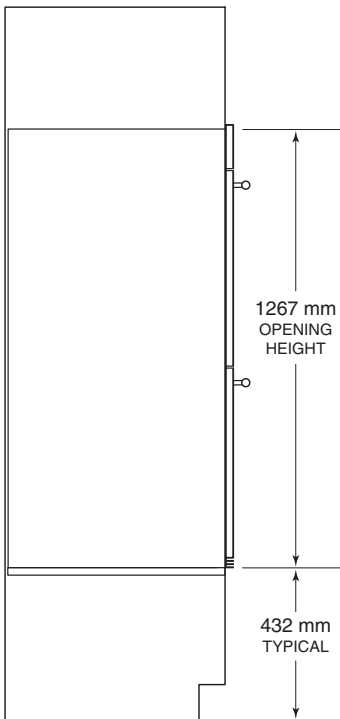
M SERIES OVENS

M Series Double Oven

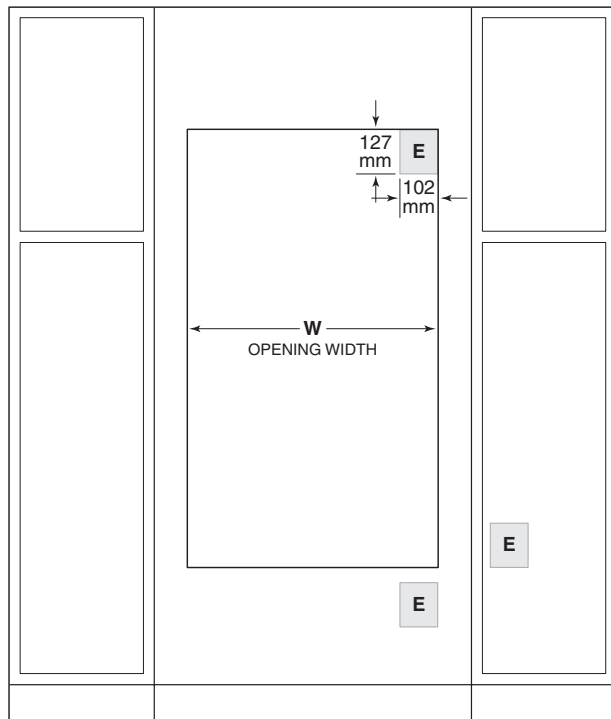
STANDARD INSTALLATION



TOP VIEW



SIDE VIEW



FRONT VIEW

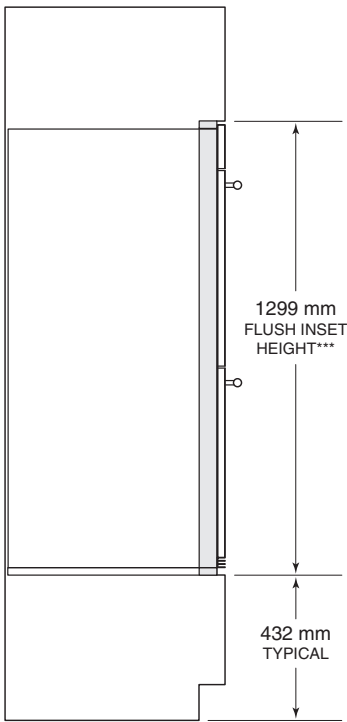
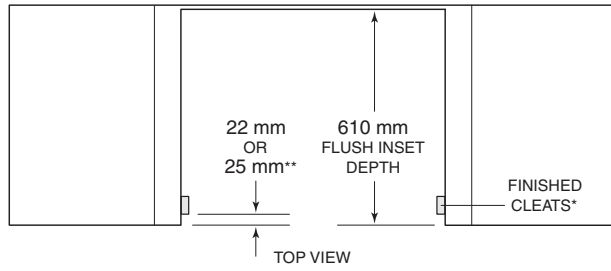
NOTE: Location of electrical supply within opening may require additional cabinet depth.

OPENING WIDTH	W
76 cm Model	724 mm

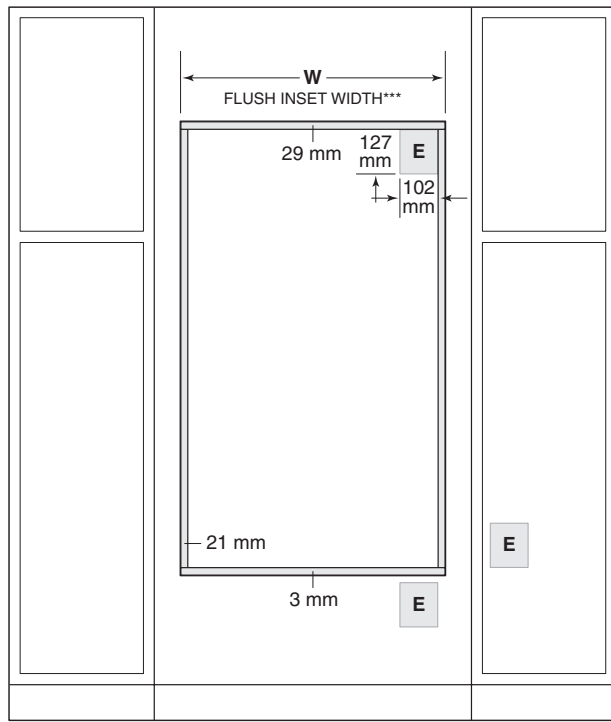
M SERIES OVENS

M Series Double Oven

FLUSH INSET INSTALLATION



SIDE VIEW



FRONT VIEW

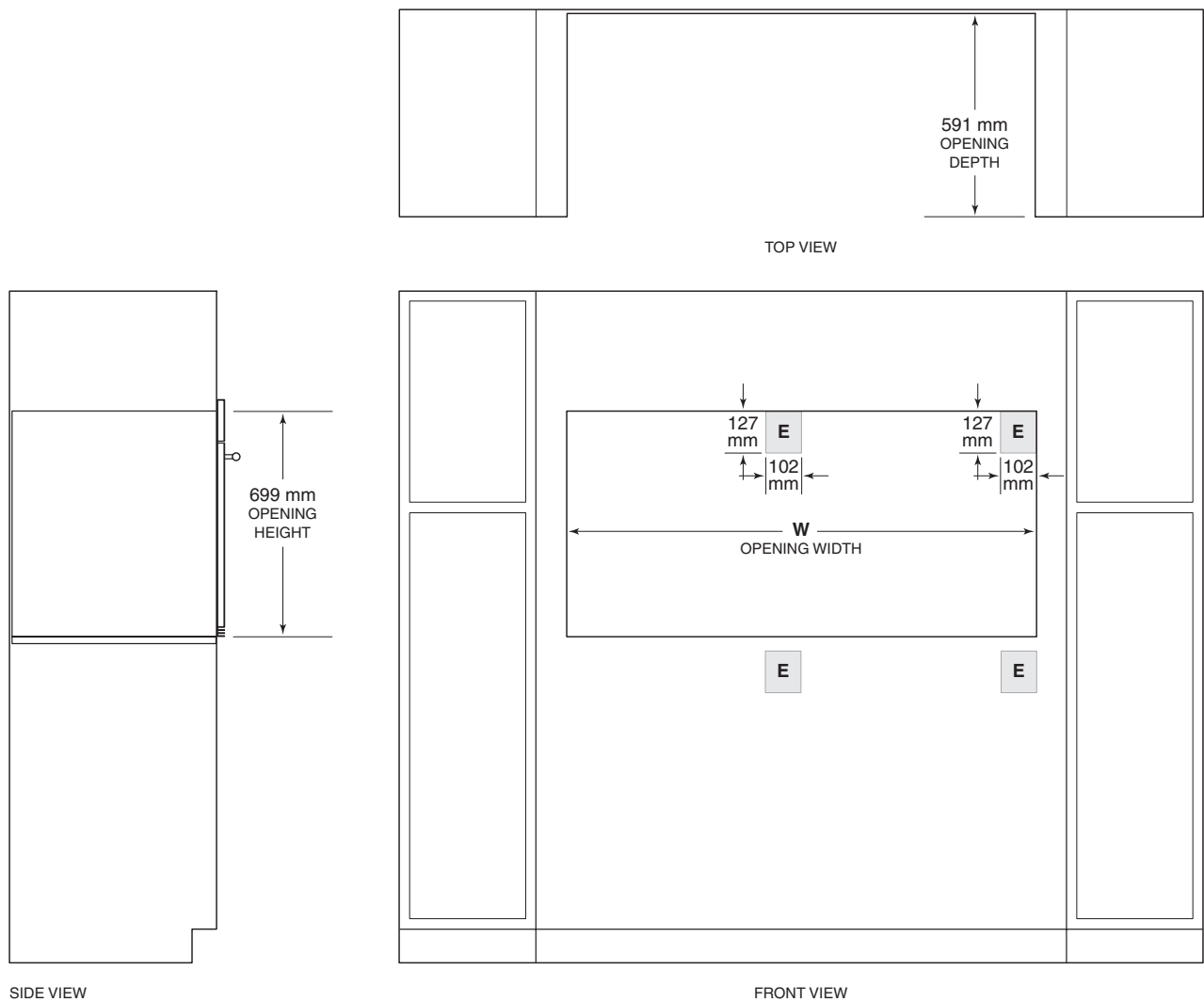
*25 mm minimum depth. Shaded areas will be visible and should be finished to match cabinetry.
 **22 mm for transitional, professional and contemporary stainless steel models and 25 mm for contemporary black glass model.
 ***Dimension provides minimum reveals.
 NOTE: Location of electrical supply within opening may require additional cabinet depth.

FLUSH INSET WIDTH	W
76 cm Model	765 mm

M SERIES OVENS

M Series Single Oven

DUAL STANDARD INSTALLATION



NOTE: Location of electrical supply within opening may require additional cabinet depth. A dual installation kit is required for this installation.

DUAL OPENING WIDTH	W
Two 76 cm Models	1486 mm

