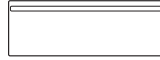


Warming Drawers

Wolf warming drawers are designed to take care of prepared foods until it is time to serve them. You can adjust the temperature, keeping moist foods moist and crisp foods crisp. Warming drawers are ideal for proofing dough. Drawer fronts are available to match the look of Wolf ovens and sealed burner rangetops. The integrated drawer front allows for a custom panel and handle.

WARMING DRAWER FRONTS

M/E SERIES



TRANSITIONAL



PROFESSIONAL



CONTEMPORARY

INTEGRATED



CUSTOM PANEL

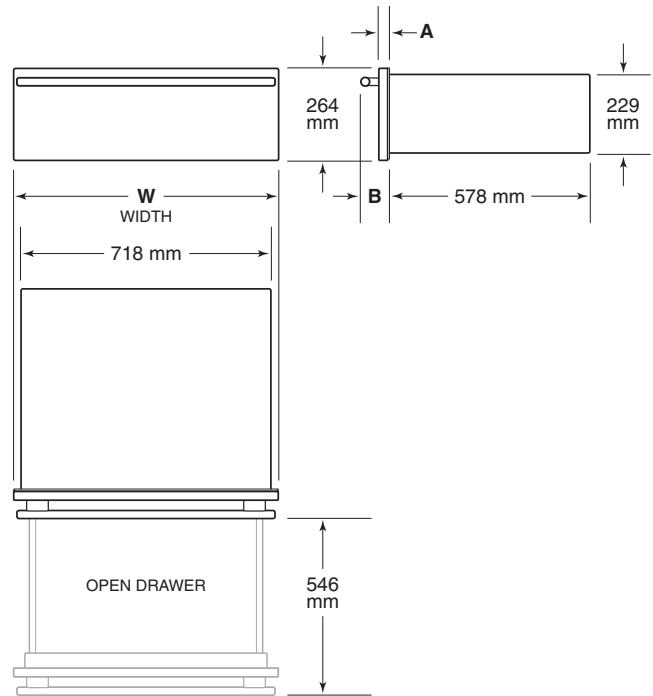
Warming Drawers

DRAWER FRONT OPTIONS

Wolf warming drawer fronts allow for many design options, but the warming drawer itself will be the same for all applications. A panel mounting kit is required when installing a custom panel. The panel mounting kit is available through an authorized Wolf dealer.

The 51 mm thick drawer front, in 76 cm and 91 cm widths, is designed to be installed below a sealed burner rangetop, so the panel aligns properly with the front of the rangetop. Dimensions for the warming drawer remain the same, even though the drawer front may be wider to match a Wolf 91 cm oven or sealed burner rangetop.

DIMENSIONS



DRAWER FRONT

MODEL	W
76 cm Drawer Front	759 mm
91 cm Drawer Front	911 mm

M SERIES	A	B
Transitional / Professional	22 mm	83 mm
Contemporary	25 mm	86 mm

E SERIES	A	B
Transitional / Professional	29 mm	89 mm
Professional (51 mm thick)	54 mm	114 mm
Contemporary	35 mm	95 mm

INTEGRATED DRAWER FRONT

CUSTOM PANEL	W	H	D
Typical Dimensions	759 mm	264 mm	19 mm
Min Thickness			16 mm

Planning Information

The warming drawer must be installed with a Wolf drawer front, available through an authorized Wolf dealer. Specific installation instructions are included with the drawer front.

The warming drawer can be installed in a standard or flush inset application.

For a standard installation, the drawer collar and front panel sit proud of the cabinet face frame. A recessed installation requires the cabinetry be recessed by 5 mm so the collar is flush with the cabinet face frame but the drawer front will sit proud. A flush inset installation requires the drawer collar and front panel be recessed to be flush with surrounding cabinetry. Refer to the illustrations on the following pages for minimum cabinet dimensions for your specific installation.

Finish the edges of the opening. They may be visible when the drawer is open.

For standard installations, the face trim will overlap stiles and rails. Refer to the chart below.

For flush inset installations, a minimum 3 mm reveal is required on all sides. To ensure consistent reveals, each corner of the opening must be exactly 90°.

INSTALLATION REQUIREMENTS

BASE SUPPORT	MIN
Warming Drawer	90 kg
TRIM OVERLAP	
Top, Bottom and Sides	16 mm

ELECTRICAL REQUIREMENTS

Installation must comply with all applicable electrical codes and be properly grounded (earthed).

Locate the electrical supply flush with the back wall and within the shaded area shown in the illustrations on the following pages. For ease of installation, the electrical supply for the warming drawer can be placed in an adjacent cabinet within reach of the power cord.

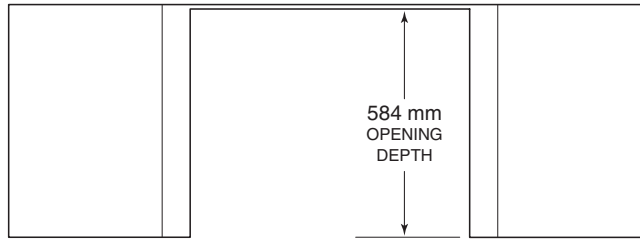
ELECTRICAL REQUIREMENTS

Electrical Supply	220-240 V AC, 50/60 Hz
Service	850 W
Receptacle	grounding-type (earthed)
Power Cord	.9 m

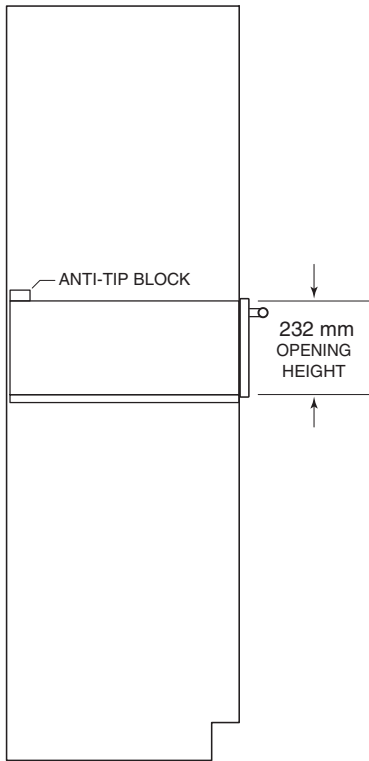
WARMING DRAWERS

Warming Drawer

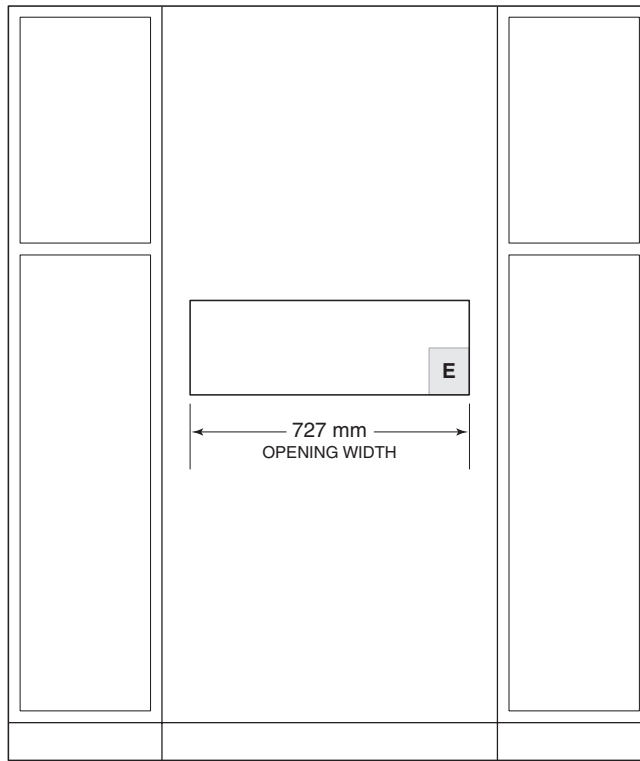
STANDARD INSTALLATION



TOP VIEW



SIDE VIEW



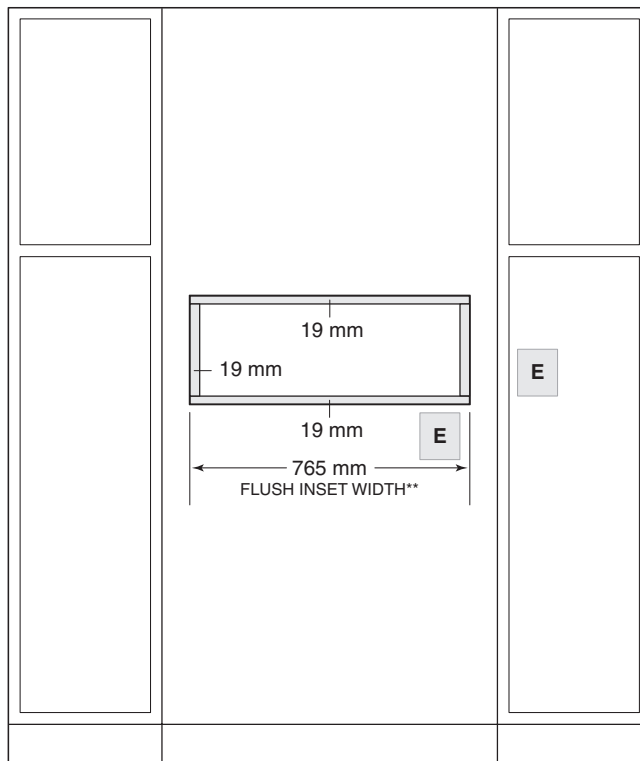
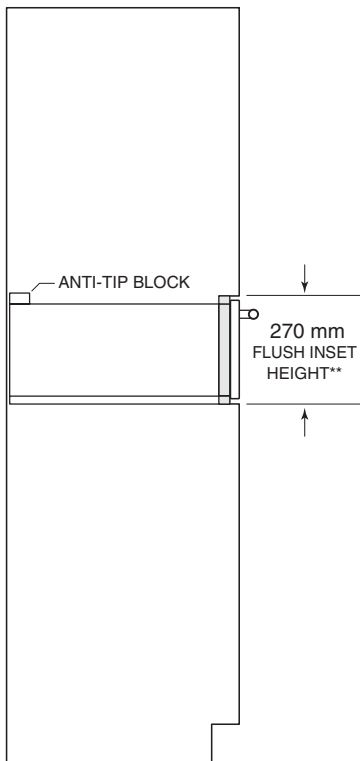
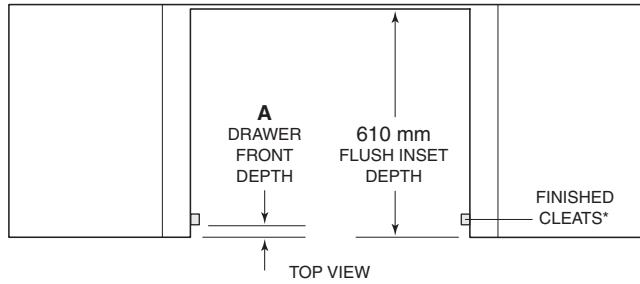
FRONT VIEW

NOTE: Location of electrical supply within opening may require additional cabinet depth.

WARMING DRAWERS

Warming Drawer

FLUSH INSET INSTALLATION



SIDE VIEW

FRONT VIEW

*Will be visible and should be finished to match cabinetry.

**Dimension provides minimum reveals.

NOTE: Location of electrical supply within opening may require additional cabinet depth.

DRAWER FRONT DEPTH (A)	M SERIES	E SERIES
Transitional / Professional	22 mm	29 mm
Professional (51 mm thick)	NA	54 mm
Contemporary	25 mm	35 mm

Custom front panel depth is dependent on panel thickness.