

K 28202 D edt/cs

Freestanding refrigerator

with Dynamic cooling and lever handle for convenient side-by-side combination.



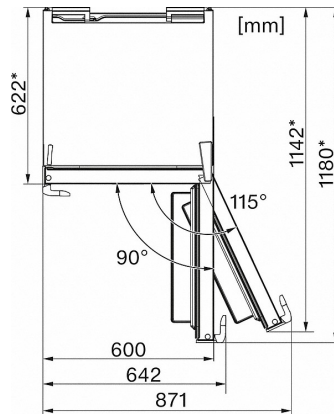
- Optimum and maintenance-free LED lighting in compartment
- High efficiency and top-class freshness
- Easy and effortless opening of refrigerators thanks to EasyOpen

Appliance category	
Refrigerator	•
Construction type	
Freestanding appliance	•
Door hinge	right
Side-by-side enabled	•
Design	
Casing colour	Stainless steel look
Front colour	Stainless steel/CleanSteel
Refrigeration section lighting	LED
User convenience	
ComfortClean	•
DynaCool	•
Concealed door opener	EasyOpen lever handle
Controls	
Operating concept	TouchControl
No. of temperature zones	1
Fridge/Fridge section	
Height-adjustable tempered glass shelves	•
No. of shelves	5
Chrome-plated metal bottle rack	•
No. of vegetable drawers	Qty 2
Number of door shelves for jars	3
Door rack for bottles	2
Safety	
Acoustic door alarm	•
Optical door alarm	•
Technical data	
Appliance width in mm	600
Appliance height in mm	1,852
Appliance depth in mm	623
Weight in kg	75.60
Climate class	SN-T
Refrigerator compartment in l	381
Current consumption (mA)	1,200
Voltage in V	220-240
Fuse rating in A	10
Length of supply lead in m	2.0
Standard accessories	
Egg tray	•

K 28202 D edt/cs

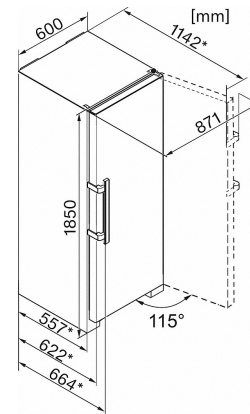
Freestanding refrigerator

with Dynamic cooling and lever handle for convenient side-by-side combination.



K28202D ws, K28202D edt/cs, K28302D ws, K28302D edt/cs, K28242D ws, K28242D edt/cs, top view, (Sketch) (*footnote)

*To ensure that energy consumption as stated is achieved, machines should be used together with the enclosed spacer brackets. This increases the total depth of the unit by approx. 3.5 cm. Machines are still fully functional when operated without these brackets but have a slightly higher energy consumption.



K28202D ws, K28202D edt/cs, K28302D ws, K28302D edt/cs, K28242D ws, K28242D edt/cs (sketch) (*footnote)

*To ensure that energy consumption as stated is achieved, machines should be used together with the enclosed spacer brackets. This increases the total depth of the unit by approx. 3.5 cm. Machines are still fully functional when operated without these brackets but have a slightly higher energy consumption.