

KF 2981 Vi

MasterCool FrenchDoor

For high-end design and technology on a large scale.



- Push2open for convenient door-opening assistance
- Food stays fresh for up to 3 x longer thanks to MasterFresh
- Light floods the interior thanks to LED elements – BrilliantLight
- Communication with appliances couldn't be easier – WiFiConn@ct
- Convenient control thanks to colour touch display MasterSensor

<b>Appliance category</b>	
Fridge-freezer	•
<b>Construction type</b>	
Built-in appliance	•
Integrated appliance	•
Door hinge	right
Side-by-side enabled	•
<b>Design</b>	
Lighting	BrilliantLight
<b>User convenience</b>	
Freshness system	MasterFresh
DynaCool	•
NoFrost	•
NoFrost	•
DuplexCool Pro	•
SelfClose	•
IceMaker with mains water connection	•
Push2open	•
FullAccess	•
EasyClean	•
MaxLoad hinge	•
<b>Controls</b>	
Operating concept	MasterSensor
Automatic SuperCool	•
No. of temperature zones	3
Sabbath mode	•
<b>Fridge/Fridge section</b>	
Height-adjustable tempered glass shelves	2
No. of crisper drawers	2
SlidingShelf	•
Door shelves for jars	2
Door rack for bottles	4
<b>Freezer/Freezer section</b>	
Number of freezer baskets	2
<b>Efficiency and sustainability</b>	
Energy Star	•
<b>Safety</b>	
Lock function	•
Spill guard	•
Acoustic door alarm	•
Acoustic temperature alarm, freezer section	•
Optical door alarm	•
Optical temperature alarm	•

KF 2981 Vi

MasterCool FrenchDoor

For high-end design and technology on a large scale.

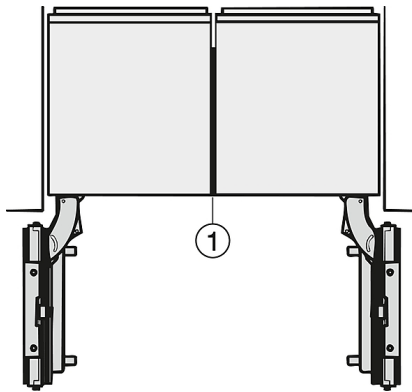


<b>Technical data</b>	
Niche width in mm	914
Niche height in mm	2,134
Niche depth in mm	629
Appliance width in mm	908
Appliance height in mm	2,127
Appliance depth in mm	629
Max. door front weight – refrigerator, in kg	68
Max. door front weight – freezer, in kg	10
Climate class	T
Refrigerator compartment in l	344
4* freezer compartment in l	124
PerfectFresh zone in l	34
Storage time in case of fault	17
Freezer capacity in kg/24 h	16.0
Voltage in V	220-240
Fuse rating in A	10
Length of supply lead in m	3.0
<b>Standard accessories</b>	
Active AirClean filter	•

KF 2981 Vi

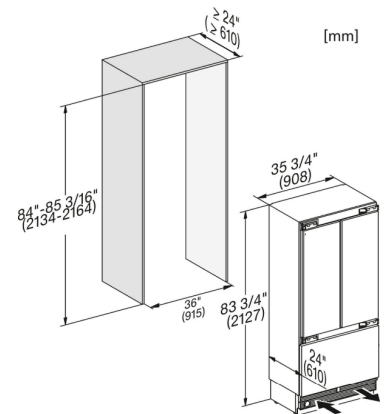
MasterCool FrenchDoor

For high-end design and technology on a large scale.

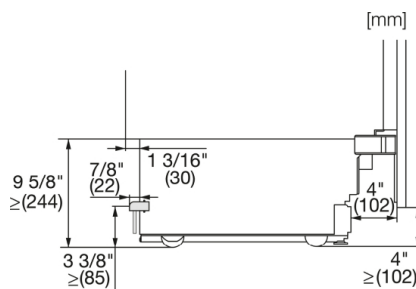


Side-by-side, MasterCool, without partition wall, with heating mat (Sketch) (with footnote)

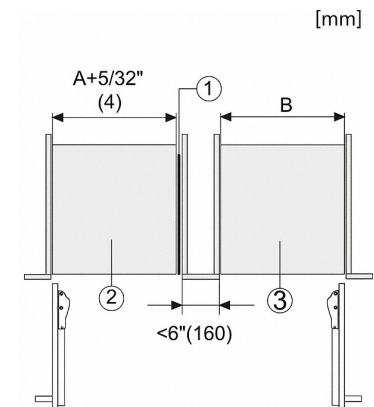
1) Heating mat KSK 2001 (EU, AUS, CN) or KSK 2002 (US, CA, MX, BR)



KF2982Vi, KF2981Vi, installation, MasterCool, installation drawings



KF2901Vi/SF, KF2911Vi/SF, KF2801Vi/SF, KF2811Vi/SF, KF2981Vi/SF, sideview, MasterCool, installation drawings



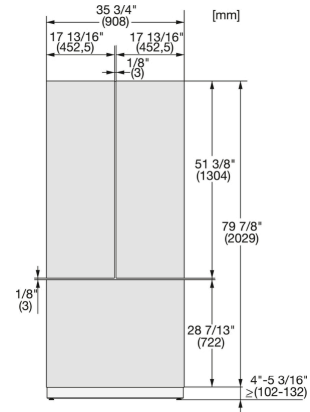
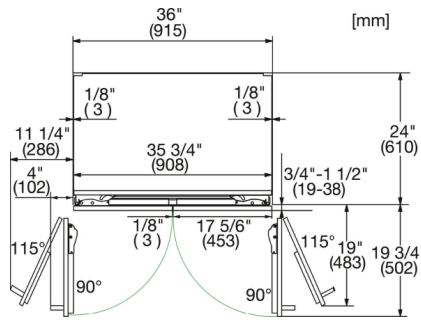
Side-by-Side, MasterCool, footnote, installation drawings

1. KSK 2001/2002
2. Device A
3. Device B
- A = niche device A
- B = niche device B

KF 2981 Vi

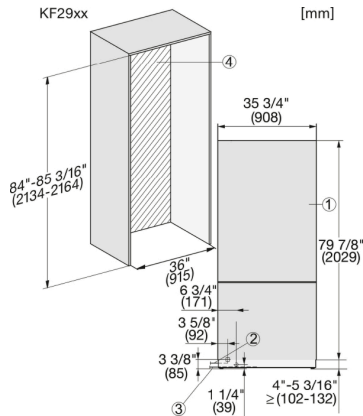
MasterCool FrenchDoor

For high-end design and technology on a large scale.



KF2982Vi, KF2982SF, KF2981Vi, KF2981SF, MasterCool, top view, installation drawings

KFP3635ed/cs, KFP3634ed/cs R, KFP3634ed/cs L, KFP3634ed/cs, Front panel, Front dimensions, MasterCool, sketch



KF2902Vi/SF, KF2912Vi/SF, KF2982Vi/SF, KF2901Vi/SF, KF2911Vi/SF, KF2981Vi/SF, installation, MasterCool

1. View from the front
2. Mains Connection cable, L = 3000 mm (118 inch)
3. Water inlet position, L = 2000mm (not for KON USA)
4. No water/ELT connections permitted in this area