

KFNS 37682 iD

Built-in fridge-freezer combination

High-quality storage thanks to Perfect fresh Pro, FlexiLight and Frost free.



- Professional storage-even fresher with PerfectFresh Pro
- Individually adjustable glass shelf lighting thanks to FlexiLight
- No icing up of food and no need to defrost thanks to Frost free
- Store food anywhere in the refrigerator – DynaCool
- Door shelves can be cleaned in the dishwasher – ComfortClean

<b>Appliance category</b>	
Fridge-freezer	•
<b>Construction type</b>	
Built-in appliance	•
Integrated appliance	•
Door hinge	right
Convertible door hinging	•
Side-by-side enabled	•
<b>Design</b>	
Refrigeration section lighting	FlexiLight
PerfectFresh Pro LED lighting	•
<b>User convenience</b>	
Freshness system	PerfectFresh Pro
ComfortClean	•
DynaCool	•
NoFrost	•
DuplexCool	•
VarioRoom	•
SoftClose	•
SelfClose	•
<b>Controls</b>	
Operating concept	TouchControl
Fridge compartment can be switched off	•
Independent temperature regulation of fridge and freezer zones	•
Automatic SuperCool	•
SuperFreeze	•
No. of temperature zones	3
Sabbath mode	•
<b>Fridge/Fridge section</b>	
Height-adjustable tempered glass shelves	•
No. of shelves	3
of which illuminated	2
No. of crisper drawers	2
Number of door shelves for jars	1
Door rack for bottles	1
<b>Freezer/Freezer section</b>	
Number of freezer drawers/baskets	Qty 3
<b>Safety</b>	
Lock function	•
Acoustic door alarm	•
Acoustic temperature alarm, freezer section	•
Optical door alarm	•
Optical temperature alarm	•
Power cut indication for freezer section	•

KFNS 37682 iD

Built-in fridge-freezer combination

High-quality storage thanks to Perfect fresh Pro, FlexiLight and Frost free.

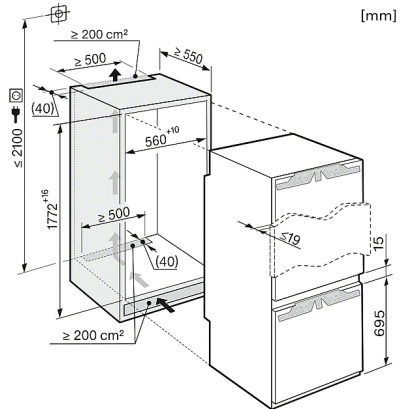


<b>Technical data</b>	
Niche width in mm	560
Niche height in mm	1,772
Niche depth in mm	550
Appliance width in mm	559
Appliance height in mm	1,770
Appliance depth in mm	544
Door hinge technology	Fixed door
Max. door front weight – refrigerator, in kg	17
Max. door front weight – freezer, in kg	12
Climate class	SN-T
Refrigerator compartment in l	111
4* freezer compartment in l	63
PerfectFresh zone in l	68
Storage time in case of fault	15
Freezer capacity in kg/24 h	10.0
Current consumption (mA)	1,400
Voltage in V	220-240
Fuse rating in A	10
Length of supply lead in m	2.1
<b>Standard accessories</b>	
Butter dish	•
Egg tray	•
Ice packs	•
Ice cube tray	•

KFNS 37682 iD

Built-in fridge-freezer combination

High-quality storage thanks to Perfect fresh Pro, FlexiLight and Frost free.



KDN37232iD, KF37233iD, KFN37432iD, KFN37452iDE,  
KFNS37432iD, KFN37433iD, KFN37282iD, KFN37682iD  
(installatin drawings)