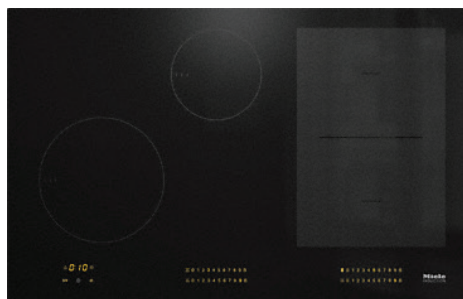


KM 7574 FL

Induction cooktop with onset controls
with PowerFlex cooking area for maximum power output



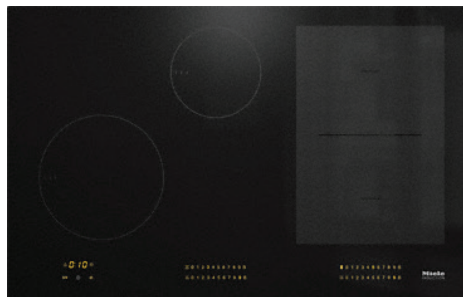
- Intuitive and quick selection via number sequences – Smart Select
- 4 cooking zones incl. 1 high-power PowerFlex cooking area
- A width of 800mm for surface-mounted or flush-fit installation
- Shortest heating-up times – TwinBooster
- Communication with rangehood – automatic function Con@ctivity

Heating type	
Heating type	Induction
Construction type	
Independent of cooker	•
Design	
Elegant glass ceramic surface	•
Ceramic surface colour	Black
Flush-fit installation	•
Can be combined with SmartLine	•
Cooking zone details	
Number of cooking zones	4
Number of cooking areas	1
Maximum number of pans	4
PowerFlex cooking zone	
No.	2
Size in mm	Ø 150 – 230
Max. rating in W	2100
Max. Booster power rating in W	3000
Max. TwinBooster power rating in W	3650
Cooking zone	
Position	front left
Type	Dual-circuit ring
Size in mm	Ø 160-220
Max. rating in W	2300
Max. Booster power rating in W	3000
Max. TwinBooster power rating in W	3650
Position	rear centre
Type	Dual-circuit ring
Size in mm	Ø 100-160
Max. rating in W	1400
Max. Booster power rating in W	1700
Max. TwinBooster power rating in W	2200
Position	right
Type	PowerFlex bridge
Size in mm	230x390
Max. rating in W	3400
Max. Booster power rating in W	4800
Max. TwinBooster power rating in W	7300

Miele

KM 7574 FL

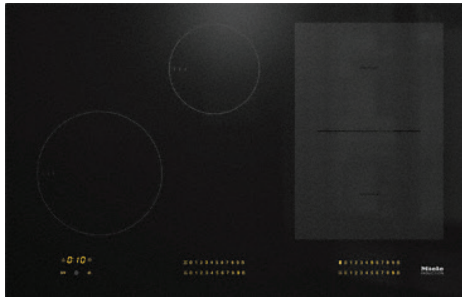
Induction cooktop with onset controls
with PowerFlex cooking area for maximum power output



User convenience	
Operation via sensor controls	Smart Select
Display colour	Yellow
Permanent pan recognition	•
Pan and pan size recognition	•
Stop & Go function	•
Recall function	•
Minute minder	•
Safety switch-off	•
Auto heat-up	•
Keeping warm	•
Individual setting options (e.g. buzzers)	•
Appliance networking	
Miele@home	•
WiFiConn@ct	•
Automatic function Con@ctivity 3.0	•
Cleaning convenience	
Easy to clean ceramic glass	•
Wipe protection	•
Safety	
Safety switch-off	•
Lock function	•
System lock	•
Integrated cooling fan	•
Overheating protection	•
Residual heat indicator	•
Technical data	
Dimensions in mm (width)	800
Dimensions in mm (height)	52
Dimensions in mm (depth)	526
Casing height incl. connection box in mm	51
Cutout dimensions in mm (width) with surface-mounted installation	780
Cutout dimensions in mm (depth) with surface-mounted installation	500
Internal cutout dimensions in mm (width) with flush installation	780
Internal cutout dimensions in mm (depth) with flush installation	500
External cutout dimensions in mm (width) with flush installation	804
External cutout dimensions in mm (depth) with flush installation	524
Weight in kg	12
Total rated load in kW	7.3
Voltage in V	230
Connection cable length in m	1.4

KM 7574 FL

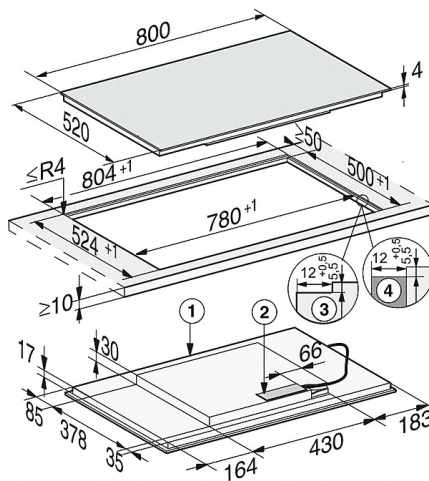
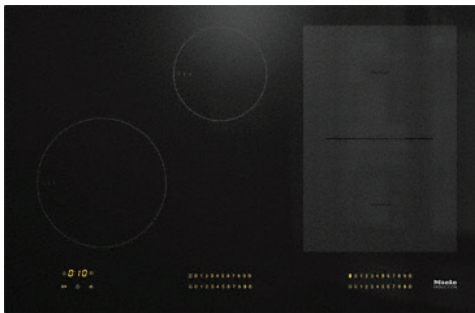
Induction cooktop with onset controls
with PowerFlex cooking area for maximum power output



Standard accessories

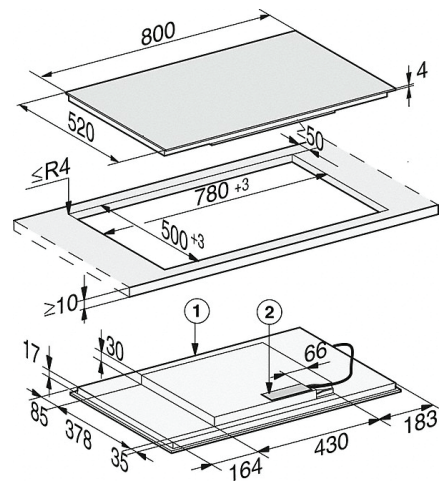
Mains cable

Induction cooktop with onset controls
with PowerFlex cooking area for maximum power output



KM 7574 FL flush-fit installation (installation-drawing)

1) Front, 2) Mains connection box with mains connection cable, L = 1440 mm, are enclosed loosely, 3) Stepped cut-out natural stone worktop, 4) Wood support 12 mm (not supplied)



KM 7574 FL flush-fit installation (installation-drawing)

1) Front, 2) Mains connection box with mains connection cable, L = 1440 mm, are enclosed loosely