

**FREESTANDING SINGLE UNITS**

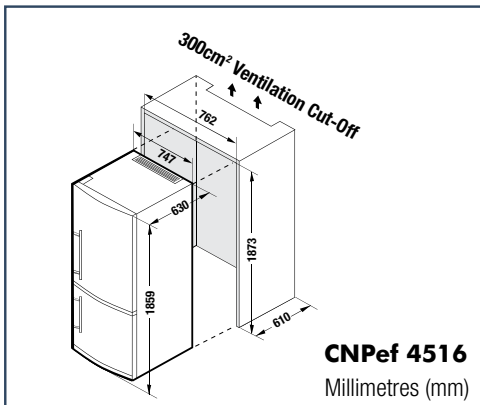
**CNPef 4516**



**LIEBHERR**

Quality, Design and Innovation

# LIEBHERR FREESTANDING SINGLE REFRIGERATOR/FREEZER CNPef 4516



Whilst every effort is made to ensure all specifications and information in this flyer are correct at time of printing, Andi-Co Australia Pty. Ltd. reserve the right to make changes without notification. Where actual appliance measurements, specifications and ratings are crucial, we recommend that the actual appliance installation instructions that accompany each appliance be checked. Andi-Co Australia will not be liable for any loss.

| Model   | CNPef 4516                   |
|---|------------------------------|
| Type   Finish                                 | FS   SmartSteel (Doors Only) |
| Energy consumption (kWh/yr)   Star rating     | 360   3.5                    |
| Compressors                                   | 1                            |
| Total capacity litres (L) - Gross   Net       | 442   413                    |
| Refrigerator Gross (L)   Refrigerator Net (L) | 343   331                    |
| Freezer gross (L)   Freezer Net (L)           | 99   82                      |
| MagicEye control system   Display             | SoftTouch   LED              |
| Child proof setting for display & temperature | •                            |
| LED standard lighting (fridge)                | •                            |
| Door open warning signal                      | •                            |
| Temperature alarm                             | •                            |
| Malfunction warning signal                    | •                            |

#### Refrigerator Features

|                                   |   |
|-----------------------------------|---|
| Fruit & vegetable drawers         | 2 |
| SuperCool                         | • |
| Sabbath mode                      | • |
| GlassLine shelves                 | • |
| Elegant holding columns           | • |
| Automatic refrigerator defrosting | • |

#### Freezer Features

|   |            |
|---|------------|
| Freezer defrosting                        | Frost Free |
| FrostSafe system with transparent drawers | •          |
| Freezer drawers                           | 2          |
| SuperFrost                                | •          |
| 24hr freezing capacity (kg)               | 8          |

#### Technical Information

|                                    |             |
|------------------------------------|-------------|
| Default hinge                      | Right       |
| Voltage (V)   Rated Current (amps) | 220-240   1 |
| Made in                            | Austria     |

KEY: FS = Freestanding. Cavity clearance for freestanding units please allow min. 50 mm above the unit if there is no ventilation cut-out. Door hinging either right or left hand must be nominated for this model.