



The Spacious Freshness Centre

Quality, Design and Innovation

LIEBHERR



Door-on-door technology: Allows custom panels to be affixed directly onto the appliance door so that the hinges are concealed, plus the cabinet and the fridge open as one, ensuring a wide range of design options and easy installation.



IceMaker: Liebherr's automatic IceMaker produces flawless crescent ice and keeps constant supply on hand for every occasion. An activated charcoal filter ensures pure water for production of clear ice crescents.



BioFresh: BioFresh guarantees the perfect temperature and ideal humidity for much longer freshness. While the DrySafe is perfect for meat, fish, and dairy products, the high humidity in the Fruit & Vegetable-Safe can prevent fruit and vegetables from drying out and helps preserve stored goods for an even longer period.

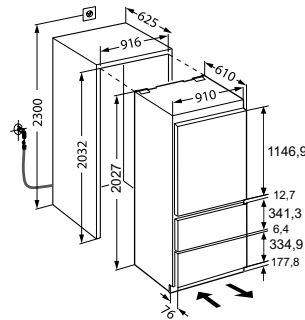
The 91-cm-wide, built-in fridge-freezer **ECBN 6156** is a real eyecatcher! Available with door-on-door installation that gives customised integration into existing kitchen units, and two freezer drawers that easily extend on premium-quality telescopic rails, this built-in masterpiece is a design highlight for any kitchen. Opt for our stainless steel panels and handles and other accessories¹ for that extra touch of elegance.

ECBN 6156
PremiumPlus

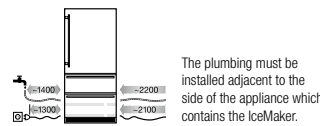
Bio Fresh	No Frost	Duo Cooling	Ice Maker
-----------	----------	-------------	-----------

Energy consumption (kWh/y)	496
Sound rating dB(A) *	42
Refrigerator capacity lite	364
BioFresh comp. litre	69
Freezer capacity litre	116
Number of shelves	4
Number of door racks	6
Number of freezer drawers	2
Number of BioFresh drawers	2
Electronic control	LCD display, touch electronic
Door / side walls	Steel
Refrigerator temperature range °C	+3°C to +9°C
Freezer temperature range °C	-14°C to -28°C
Temperature alarm	Visual and audible
Defrost type	Automatic
Interior light	LED
Door alarm	Audible
IceMaker	Fixed water connection 20mm (3/4")
Ice cube output kg/24h	1.3
SoftSystem	No
Door hinges	Right
Product dimensions (H/W/D) cm	202.7 / 91 / 61
Cut out dimensions (H/W/D) cm	203.2 - 207.2 / 91.5 / min. 62.5
Gross / Net weight kg	177 / 164
Voltage V/Hz	220-240 / 50

Installation Diagram



Water Connection



* Noise output - according to EN 60704-3

¹ Optional accessories: Stainless Steel Panel 80" Large Door (Part no. 990033300), Stainless Steel Panel 84" Large Door (Part no. 990033100), Stainless Steel Panel Freezer Panels (Part no. 990032300), Stainless Steel Handles 3/4" (Part no. 990032700), Oval Aluminium Handles (Part no. 990032900), SBS Kit (Part no. 990015500), Door Reversal Kit (Part no. 990016500)