

UNDERBENCH WINE CELLAR

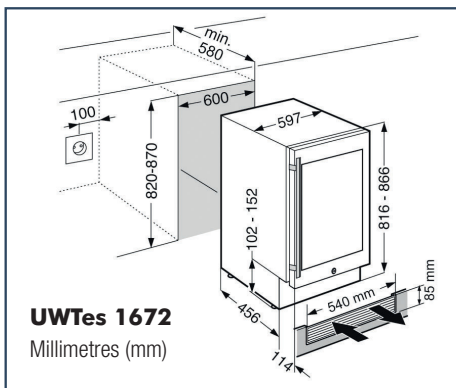
UWTes 1672



LIEBHERR

LIEBHERR

DUAL ZONE UNDERBENCH WINE CELLAR UWTeS 1672



Whilst every effort is made to ensure all specifications and information in this flyer are correct at time of printing, Andi-Co Australia Pty. Ltd. reserve the right to make changes without notification. Where actual appliance measurements, specifications and ratings are crucial, we recommend that the actual appliance installation instructions that accompany each appliance be checked. Andi-Co Australia will not be liable for any loss.

Built-in

Model	UWTeS 1672
Type Category	BI-UB Vinidor
Finish	Stainless Steel
°Energy consumption (kWh/yr) 24hr	°196 0.535
△Bottle capacity (750ml Bordeaux)	34
Safety glass door	•
MagicEye control system Display	• LED
Digital temperature display	Internal
Tinted glazed door	Double
Temperature zones	2
Temperature range (°C) Min Max °C	5 20
Suitable for ambient temperature Min Max°C	10 38
Interior light	Dimmable LED
Hand crafted beech wood shelves	3
Shelves mounted on telescopic rails	•
Base shelves	2
Recirculated air cooling	•
Fresh air supply via activated charcoal filter	1
Child proof lock (control panel)	•
SlimLine handles	•
Reversible door hinges	•
Key lock	•
Label holders	•
Compressors	1
Door open warning signal	•
Temperature alarm	•
Malfunction warning signal	•
Ventilation switch	•
Adjustable height by 50mm	•
Automatic defrosting	•

Technical Information

Default hinge	Right
Gross weight (kg) Net weight (kg)	56 49
Height (mm)	820 - 870
Width (mm)	600
Depth (mm)	580
Voltage (V) Rated Current (A)	220-240 0.8
Made In	Austria

KEY: UB = Underbench, BI = Built-In, ° = Measurements taken at +25°C ambient and +12°C interior temperature tested by Liebherr Germany (not to Australian standards), △ = Based on Bordeaux 750ml bottle - capacity may vary depending on bottle shape and size. Door hinging either right or left hand must be nominated for this model.