

KFNS 7795 D

Built-in fridge-freezer combination

PerfectFresh Active, DynaCool and IceMaker for outstanding appearance.



- Fresh 5x longer with active humidification – PerfectFresh Active
- Ice cubes thanks to the IceMaker with fresh water connection
- Individually adjustable glass shelf lighting with FlexiLight 2.0
- No icing up of food and no need to defrost thanks to NoFrost
- Uniform temperature distribution inside the appliance – DynaCool

<b>Appliance category</b>	
Fridge-freezer	•
<b>Construction type</b>	
Built-in appliance	•
Integrated appliance	•
Door hinge	right
Convertible door hinging	•
Side-by-side enabled	•
<b>Design</b>	
Freezer compartment lighting	LED
Fan lighting	•
Freshness system lighting	•
IceMaker lighting	•
<b>User convenience</b>	
Networking with Miele@home	•
Freshness system	PerfectFresh Active
Active humidification in top drawer	•
Fine adjustment inner door	•
ComfortClean	•
DynaCool	•
NoFrost	•
DuplexCool	•
ComfortSize	•
VarioRoom	•
SoftClose	•
SelfClose	•
Ice cube maker with fresh water connection (IceMaker)	•
<b>Controls</b>	
Operating concept	FreshTouch
Fridge compartment can be switched off	•
Independent temperature regulation of fridge and freezer zones	•
Automatic SuperCool	•
SuperFreeze	•
No. of temperature zones	3
Sabbath mode	•
Party mode	•
Holiday mode	•

KFNS 7795 D

Built-in fridge-freezer combination

PerfectFresh Active, DynaCool and IceMaker for outstanding appearance.

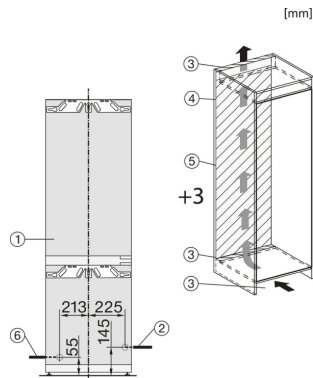


<b>Fridge/Fridge section</b>	
No. of shelves	4
of which illuminated	2
No. of crisper drawers	2
Dry back wall	CleanSteel
FlexiTray	•
Number of door shelves for jars	1
Door rack for bottles	1
Door shelves	2
<b>Freezer/Freezer section</b>	
Number of freezer drawers	3
of which on runners	3
<b>Safety</b>	
Lock function	•
Acoustic door alarm	•
Acoustic temperature alarm, freezer section	•
Optical door alarm	•
Optical temperature alarm	•
Power cut indication for freezer section	•
<b>Technical data</b>	
Niche width in mm	560
Niche height in mm	1,772
Niche depth in mm	550
Appliance width in mm	559
Appliance height in mm	1,770
Appliance depth in mm	546
Door hinge technology	Fixed door
Max. door front weight – refrigerator, in kg	18
Max. door front weight – freezer, in kg	12
Climate class	SN-T
including PerfectFresh zone in l	71
Storage time in case of fault in h	9
Current consumption (mA)	1,400
Voltage in V	220-240
Fuse rating in A	10
Length of supply lead in m	2.2
Replacing lamps	Customer Service
Number of phases	1
<b>Standard accessories</b>	
Egg tray	•
PerfectFresh organisation box	•

KFNS 7795 D

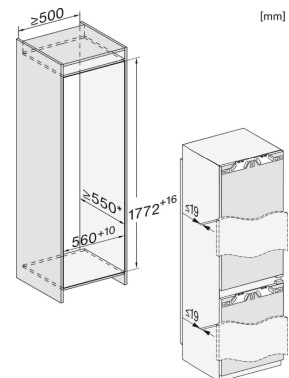
Built-in fridge-freezer combination

PerfectFresh Active, DynaCool and IceMaker for outstanding appearance.



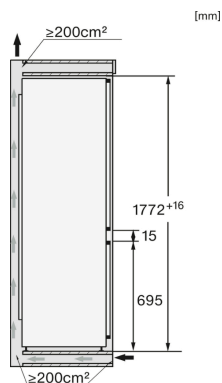
KFN7795D, installation (footnote\*) (installation drawings)

- \*1. View from the front
- \*2. Mains connection cable, L = 2100 mm
- \*3. Ventilation cut-out min. 200 cm<sup>2</sup>
- \*4. Ventilation
- \*5. No connections permitted in this area
- \*6. Water connection L = 2000 mm



KFN7795D, built-in (footnote\*) (installation drawings)

\*The declared energy consumption was calculated in a 560 mm deep niche. The appliance is fully functional in a 550 mm niche but the energy consumption will be slightly higher.



KFN7795D, side view (installation drawings)