

Gas cooktop with a mono wok burner for special applications.

KM 2334



- Easy and direct controls - operation via Dial controls
- Professional design - 770 wide stainless steel trough
- Particularly versatile - 5 burners incl. 1 mono wok
- Extremely safe - GasStop function
- Easy cleaning - dishwasher-safe ComfortClean pot rests

Heating type	
Heating type	Gas
Construction type	
Independent of oven	•
Design	
Stainless steel trough	•
Miele logo embossed in stainless steel	•
Cast iron pot rest (matt black enamelled)	•
Ring details	
No. of rings	5
Ring	
Position	front left
Type	Economy burner
Diameter in mm	Ø 100-220
Power rating in W	1000
Position	rear left
Type	Standard burner
Diameter in mm	Ø 120-240
Power rating in W	2000
Position	Centred
Type	Single wok burner
Diameter in mm	150-260
Power rating in W	4000
Position	rear right
Type	Standard burner
Diameter in mm	Ø 100-220
Power rating in W	2000
Position	front right
Type	Standard burner
Diameter in mm	Ø 100-220
Power rating in W	1700
User convenience	
Operation via touchpad sensors	Knob
Operation via knobs	•
Electronic ignition with one-handed operation	•
Cleaning convenience	
Dishwasher-proof pot rests	•
Safety	
GasStop	•
Technical data	
Dimensions in mm (width)	770
Dimensions in mm (depth)	508
Built-in height with mains connection box in mm	100
Cutout dimensions in mm (width)	750
Cutout dimensions in mm (depth)	490
Total connected load in kW	10,5
Weight in kg	11
Voltage in V	230
Fuse rating in A	10
Frequency in Hz	50-60
Number of phases	1
Cable length in m	2,0

Gas cooktop with a mono wok burner for special applications.

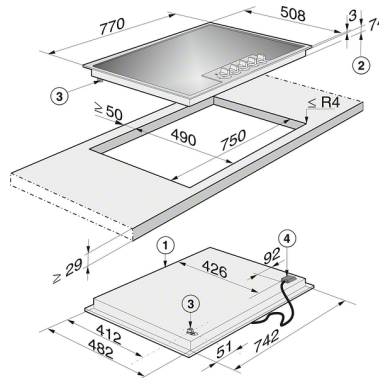
KM 2334

**Standard accessories**

Connection cable	•
Jet set for liquid gas	•
Wok ring	•
Small trivet	•

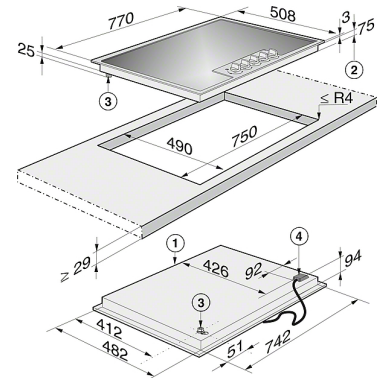
Gas cooktop with a mono wok burner for special applications.

KM 2334



KM 2334 (installation drawing)

1. Front
2. Building-in depth
3. Gas connection R 1/2 - ISO 7-1 (DIN EN 10226)
4. Mains connection box with mains connection cable L 2000 mm



KM 2334 (installation drawing) AUS

1. Front
2. Building-in depth
3. Gas connection R 1/2 - ISO 7-1 (DIN EN 10226)
4. Mains connection box with mains connection cable L 2000 mm