

KM 3014

Gas cooktop

with 3 burners incl. dual wok for particularly versatile cooking convenience.



- Simple controls – single-handed operation via rotary dial control
- Elegant design – 626mm wide gas on glass cooktop
- Particularly versatile – 3 burners incl. 1 dual wok
- Extremely safe – GasStop function
- Easy cleaning – dishwasher-safe ComfortClean pot rests

Heating type	
Heating type	Gas
Construction type	
Independent of cooker	•
Design	
Elegant glass ceramic surface	•
Miele logo embossed in stainless steel	•
Cast iron pot rests (matt black enamelled)	•
Cooking zone details	
Number of cooking zones	3
Cooking zone	
Position	left centre
Type	Dual wok burner
Rating in W	4700
Position	rear right
Type	Economy burner
Rating in W	1000
Position	front right
Type	Standard burner
Rating in W	1700
User convenience	
Operation via knobs	•
Electronic ignition with single-hand operation	•
Cleaning convenience	
Easy to clean ceramic glass	•
Dishwasher-proof pot rests	•
Safety	
Safety switch-off	•
GasStop	•
GasStop & ReStart	•
Technical data	
Dimensions in mm (width)	626
Dimensions in mm (depth)	526
Casing height incl. connection box in mm	71
Cutout dimensions in mm (width) with surface-mounted installation	600
Cutout dimensions in mm (depth) with surface-mounted installation	500
Voltage in V	230
Weight in kg	14
Standard accessories	
Mains cable	•
Jets for liquid gas	•
Wok ring	•
Small trivet	•

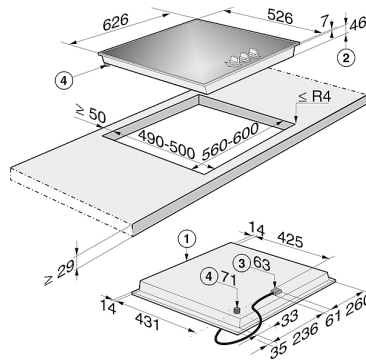
Hobs and CombiSets



KM 3014

Gas cooktop

with 3 burners incl. dual wok for particularly versatile cooking convenience.



KM 3014 G (installation drawing) VG AUS

1. Front
2. Building- in depth
3. Mains connection box with mains connection cable L = 2,000 mm
4. Gas connection R 1/2" - ISO 7-1 (DIN EN 10226)