

KM 3034

Gas cooktop

with electronic functions for maximum safety and user convenience.



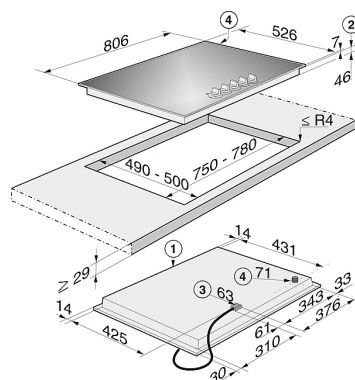
- Optimal - single-handed operation via rotary dial and
- Elegant design - 806 wide gas on glass hob
- Particularly versatile - 5 burners including 1 dual wok
- Extremely safe - GasStop
- Easy cleaning - dishwasher-safe ComfortClean pot rests

Heating type	
Heating type	Gas
Construction type	
Independent of cooker	•
Design	
Elegant glass ceramic surface	•
Miele logo embossed in stainless steel	•
Cast iron pot rests (matt black enamelled)	•
Cooking zone details	
Number of cooking zones	5
Cooking zone	
Position	front left
Type	High-speed burner
Rating in W	2700
Position	rear left
Type	Economy burner
Rating in W	1000
Position	Centred
Type	Dual wok burner
Rating in W	4700
Position	rear right
Type	Standard burner
Rating in W	1700
Position	front right
Type	Standard burner
Rating in W	1700
User convenience	
Operation via knobs	•
Electronic ignition with single-hand operation	•
QuickStart	•
Cleaning convenience	
Easy to clean ceramic glass	•
Safety	
Safety switch-off	•
Heat indicator	•
Operational indicator	•
Convenient rapid switch-off	•
GasStop & ReStart	•
Technical data	
Dimensions in mm (width)	806
Dimensions in mm (depth)	536
Cut-out dimensions in mm (width)	780
Cut-out dimensions in mm (depth)	500
Voltage in V	230
Total rated load in kW	0.0
Weight in kg	20
Length of supply lead in m	2.0
Standard accessories	
Mains cable	•
Jets for liquid gas	•
Wok ring	•
Small trivet	•

KM 3034

Gas cooktop

with electronic functions for maximum safety and user convenience.



KM 3034 G (Installation drawing) VG AUS

1. Front
2. Building-in depth
3. Mains connection box with mains connection cable L = 2,000 mm
4. Gas connection R 1/2" - ISO 7-1 (DIN EN 10226)