

N 90, Compact built-in oven, Stainless steel
C27CS22H0B



COOKING PASSION SINCE 1877



Compact built-in oven with CircoTherm - NEFF's outstanding hot-air system for simultaneous baking and roasting on multiple levels

- ✓ CircoTherm – Smart hot-air solution that lets you bake on up to four levels.
- ✓ Wi-Fi enabled oven - Unleash your creativity via the Home Connect app.
- ✓ Baking and Roasting Assistant - Your helper in the kitchen for ideal cooking times, temperatures, and modes for many dishes at your fingertips.
- ✓ Soft Close with Soft Opening - The damping system cushions the door for gentle opening and closing.



Features

Technical Data

Color / Material Front : Stainless steel

Built-in / Free-standing : Built-in

Door opening : Drop down

Integrated Cleaning system : Pyrolytic+Hydrolytic

Control Panel Material : Glass

Door Material : Glass

Dimensions : 455 x 596 x 548 mm

Dimensions of the packed product (HxWxD) : 520 x 690 x 650 mm

Min. required niche size for installation (HxWxD) : 450-455 x 560-568 x 550 mm

Cavity dimensions : 237 x 480 x 415 mm

Usable volume of cavity : 47 l

Number of interior lights : 1

Net weight : 31.2 kg

Gross weight : 33.5 kg

EAN code : 4242004236511

Connection Rating : 2990 W

Fuse protection : 13 A

Voltage : 220-240 V

Frequency : 50; 60 Hz

Length electrical supply cord : 150 cm



4 242004 236511

N 90, Compact built-in oven, Stainless steel

C27CS22H0B



COOKING PASSION SINCE 1877

Features

Heating Functions

- Compact oven with 13 cooking functions heating methods: CircoTherm / HotAir Defrost Bread Baking Full surface grill Dough proving CircoTherm Eco Centre area grill Top/Bottom heat Top/Bottom heat Eco CircoTherm Intensive / Pizza setting Low temperature / slow cooking Bottom heat CircoRoasting
- Temperature range 40 °C - 275 °C

Design

- Cavity volume: 47 l
- Anthracite enamel cavity with 3 shelf positions
- Bar handle

Cleaning

- Pyrolytic self-cleaning: The fastest way to clean an oven. At 485°C everything turns to ash, so no chemical cleaners are necessary with this cleaning method. When the program is finished, just let the oven cool down and wipe it out with a damp cloth. That's all there is to it
- Easy Clean cleaning program: Just add 400ml water and a drop of washing-up liquid in the base pan (recessed area on the bottom of the oven cavity) and run the EasyClean program. This helps to soften baked-on residue so that you can just wipe it down for fast and uncomplicated cleaning

Convenience

- 4.1" TFT colour and graphics display with ShiftControl
- SoftMove oven door with soft open and soft close, soft opening, Bottom hinged door
- Built in cooking functions: Baking and Roasting Assistant: Takes the guess work out by recommending the ideal heating mode, temperature and time for a wide variety of dishes, which you can manually adjust to your desire to ensure perfect results
- Electronic clock
- Rapid heat-up: Reduce the preheat time at the touch of a button
- Independent oven interior light button, Halogen lighting
- Cooling fan
- Stainless-steel fan
- Individual adjustable child lock
Residual heat indicator Safety switch off Start button door contact switch Automatic door lock during pyrolysis
- HomeConnect ready on Wi-Fi, Home Connect helps you to unleash your cooking creativity by allowing you to manage your oven and coffee machine over your Wi-Fi. Tap via the app, speak to your oven with voice control, and make appliances interact with one another automatically. Home Connect is an ever-growing platform that brings the future to your kitchen.

Accessories

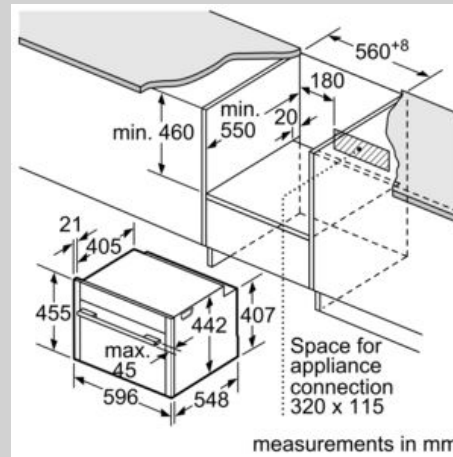
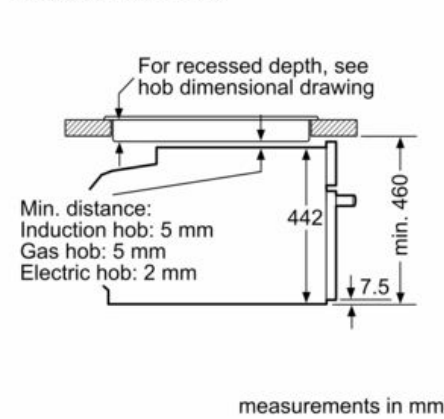
- combination grid, 1 x Universal pan

Technical Information

- Length of mains cable: 150 cm
- Total connected load electric: 2.99 KW
- Appliance dimension (HxWxD): 455 mm x 596 mm x 548 mm
- Installation dimensions (HxWxD): 450 mm - 455 mm x 560 mm - 568 mm x 550 mm
- Nominal voltage: 220 - 240 V

Dimensioned drawings

Installation with a hob.



If the compact appliance will be installed underneath a hob, the following worktop thicknesses (including substructure if necessary) must be taken into account.

| Hob type | min. worktop thickness | |
|-------------------------------|------------------------|-------|
| | fitted | flush |
| Induction hob | 42 mm | 43 mm |
| Full surface Induction hob | 52 mm | 53 mm |
| Gas hob | 32 mm | 43 mm |
| Electric hob | 32 mm | 35 mm |

