

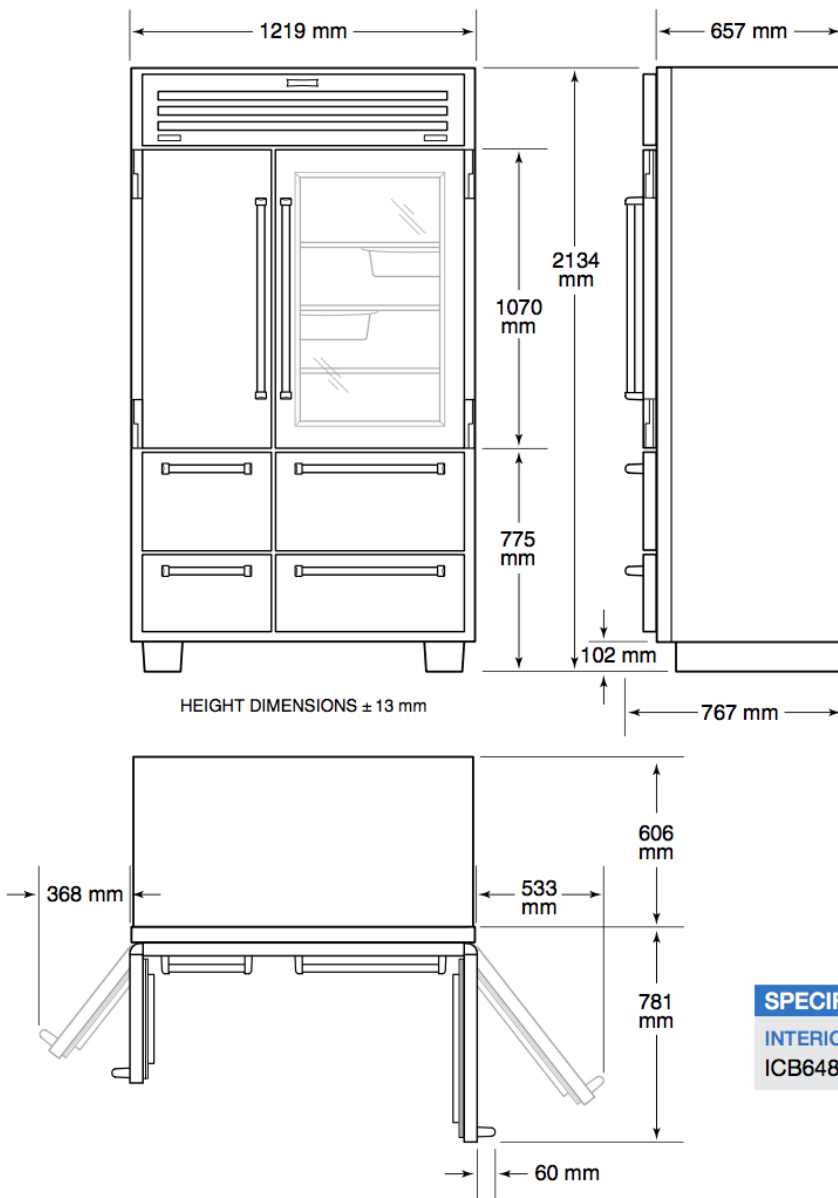


SUB-ZERO BUILT-IN REFRIGERATION

PRO 48 Refrigeration

Overall Dimensions

PRO 48 Models



Models ICB648PRO and ICB648PROG.

SPECIFICATIONS		
INTERIOR CAPACITY	R (L)	F (L)
ICB648PRO, ICB648PROG	521	331

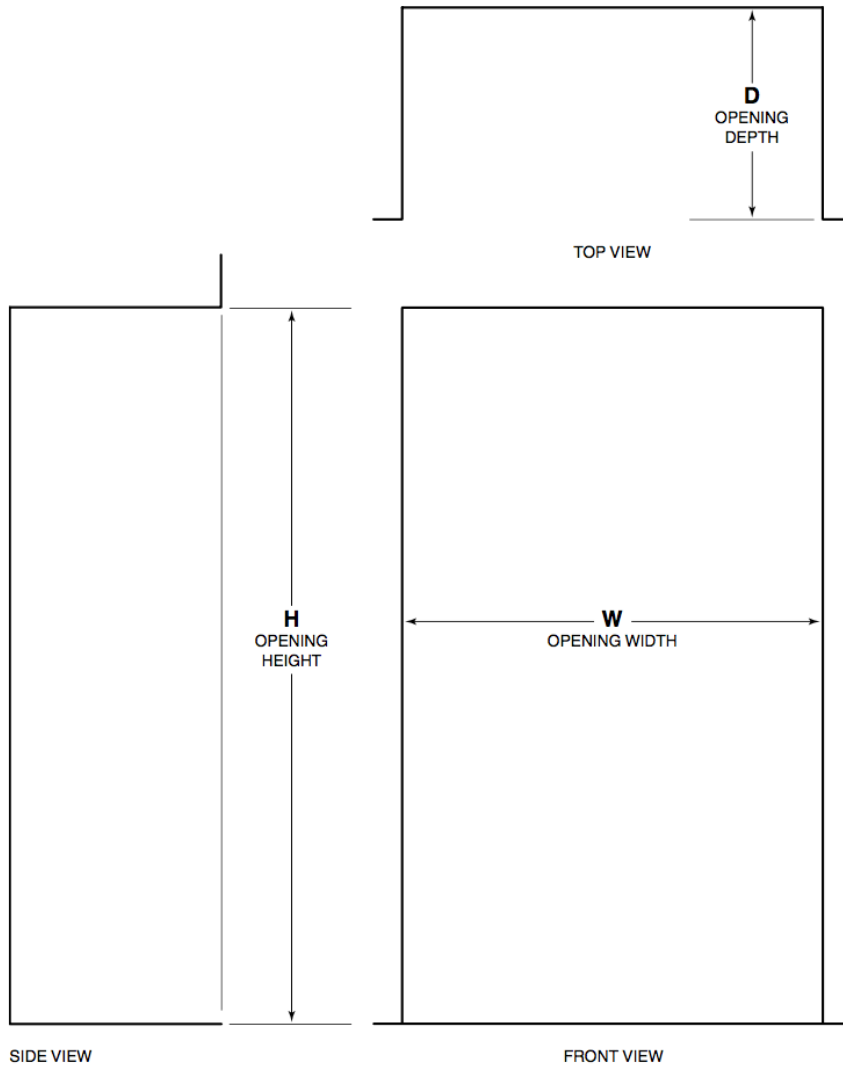


SUB-ZERO BUILT-IN REFRIGERATION

PRO 48 Refrigeration

Opening Dimensions

Standard and Flush Installation



OPENING DIMENSIONS			
INSTALLATION	W	H	D
Standard	1206 mm	2127 mm	610 mm
Flush	1219 mm	2137 mm	660 mm

For standard built-in installations, the face frame of the unit will extend 51 mm beyond cabinetry. For flush installations, the front of the face frame will be flush with surrounding cabinetry.

SUB-ZERO BUILT-IN REFRIGERATION

PRO 48 Refrigeration

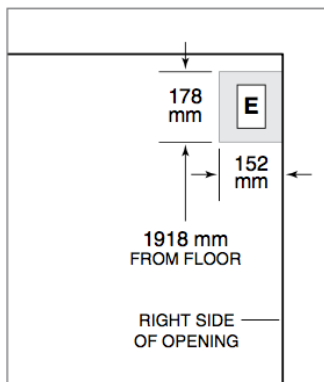
Electrical

International models from the factory designed without a transformer require a 220-240 V AC, 50/60 Hz electrical supply, fused at the correct rating for the unit. If required by local or national codes, the power cord can be easily replaced using the power inlet device.

The electrical supply should be located within the shaded area shown in the illustration below. A separate circuit, servicing only this appliance is required. A ground fault circuit interrupter (GFCI) is not recommended and may cause interruption of operation.

Installation must comply with all applicable electrical codes.

ELECTRICAL REQUIREMENTS	
Power Supply	220-240 V AC, 50/60 Hz
Circuit Breaker	1 amp
Receptacle	grounding-type (earthed)



Electrical supply location.

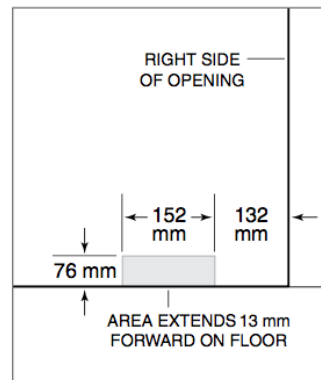
Plumbing

The water supply line should be located within the shaded area shown in the illustration below. The water supply line should be connected to the house supply with an easily accessible shut-off valve. Do not use self-piercing valves. The water supply line must not interfere with installation of the anti-tip bracket.

A reverse osmosis system can be used provided there is constant water pressure of 2.4–8.3 bar supplied to the unit at all times. A copper line is not recommended for this application.

Installation must comply with all applicable plumbing codes.

PLUMBING REQUIREMENTS	
Water Supply	6.35 mm OD copper line, braided stainless steel, or PEX tubing
Water Pressure	2.4–8.3 bar
Excess Water Line for Connection	.9 m



Water supply location.

Standard Handles

Refer to the chart below for standard handle lengths for PRO 48 models.

HANDLE LENGTH		
PRO 48	TUBULAR	PRO
Door	NA	703 mm
Refrigerator Drawer	NA	506 mm
Freezer Drawer	NA	294 mm