



PRO VENTILATION HOODS

ICBPW482418 | ICBPW362418

- Heavy-duty stainless steel construction
- Handfinished with hemmed edges and welded seams
- Bright halogen lighting
- Infinite speed blower control
- Heat sentry for safety
- Recessed controls for sleeker look
- Blower required (internal, in-line or remote blowers available)
- Transition with backdraft minimizes backward flow of cold air

SPECIFICATIONS

Model ICBPW362418

- 914mm Wall Ventilation Hood
- Dimensions: 914 W x 610 D x 457 H
- 36 kgs. Shipping Wt.

Model ICBPW482418

- 1219mm Wall Ventilation Hood
- Dimensions: 1219 W x 610 D x 457 H
- 43 kgs. Shipping Wt.

- Accessories:
 - 914 W x 965 H Backsplash with 2 Warming Racks
 - 1219 W x 965 H Backsplash with 2 Warming Racks
 - 914 W x 965 H Stainless Steel Backsplash
 - 1219 W x 965 H Stainless Steel Backsplash



PRO VENTILATION HOODS

ICBPW482418 | ICBPW362418

PLANNING INFORMATION

- Pro ventilation hoods are recommended for use with all Wolf cooking appliances. Wall hoods should be at least as wide as the cooking surface.
- For optimal performance in wall hood applications, a pro 69 cm deep wall hood is recommended for use with ranges and rangetops with a charbroiler or griddle.
- Installation of the hood should be 762 mm to 914 mm from the bottom of the hood to the counter-top.
- Pro hoods are shipped without a blower assembly. Internal and remote blowers are available through an authorized Wolf dealer. The blower will vary in size and is dictated by the cooking unit, volume of air and length of the duct run. Pro hoods accommodate a 254 mm round duct and have a vertical discharge. For the 61 cm and 69 cm deep wall hoods, a horizontal discharge kit is available through an authorized Wolf dealer.
- Consult a qualified HVAC professional for specific installation and ducting applications.
- Optional stainless steel duct covers in a variety of heights are available for pro wall hoods through an authorized Wolf dealer.

ELECTRICAL

- Installation must comply with all applicable electrical codes and be properly grounded (earthed).
- Locate the electrical supply within the shaded area shown in the illustration on the following page. Allow a minimum 305 mm electrical cable for connection. A separate circuit, servicing only this appliance is required.

ELECTRICAL REQUIREMENTS

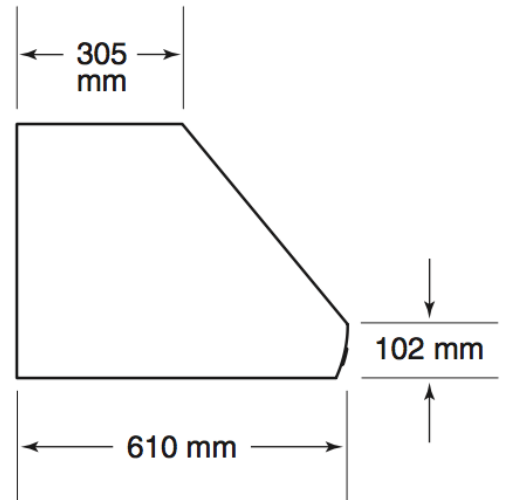
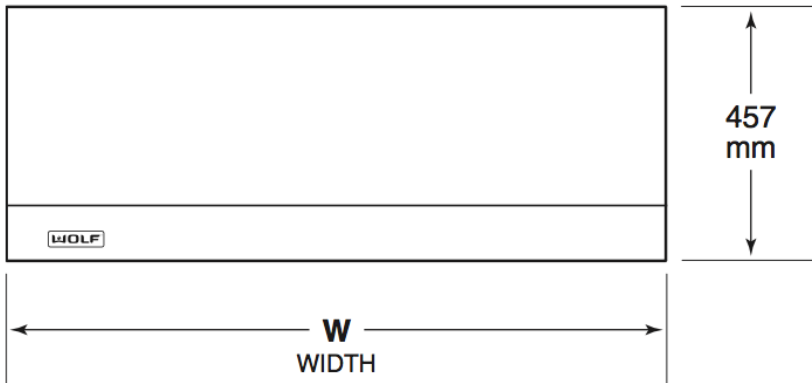
Electrical Supply	220-240V, 50Hz 220V, 60Hz
Service	1.9A

RECIRCULATING INSTALLATION

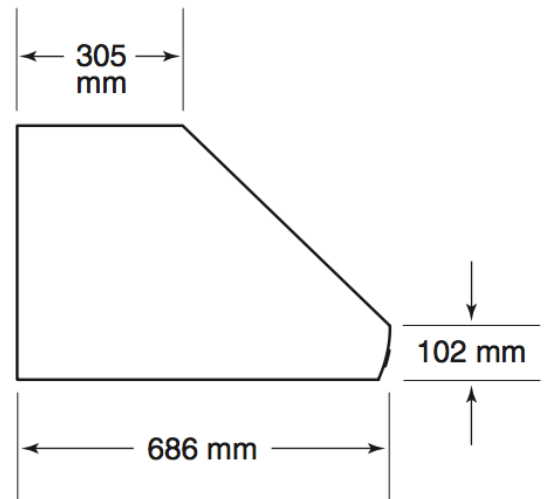
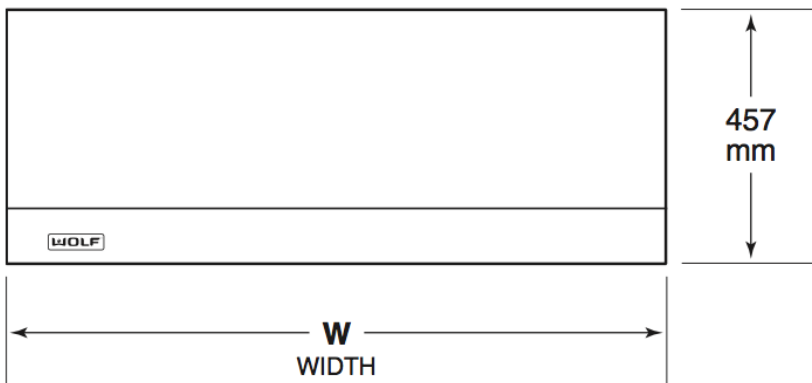
61 cm and 69 cm deep wall hoods with an internal blower (1014 CMH or less), 76 cm and 91 cm widths only, can be used in a non-ducted application with a recirculating filter. In this installation, kitchen air is purified through filters and returned as clean air into the room. A recirculation kit, available through an authorized Wolf dealer is required.

PRO VENTILATION HOODS
ICBPW482418 | ICBPW362418

61 cm DEEP WALL HOOD



69 cm DEEP WALL HOOD



WIDTH

61 cm DEEP WALL HOOD W
91 cm, 122 cm

69 cm DEEP WALL HOOD W
76 cm, 91 cm, 107 cm, 122 cm, 152 cm