

## PUR 98 W

Wall mounted rangehood  
with energy-efficient LED lighting and light-touch switches for easy use.



- Timeless design – 898mm wide stainless steel rangehood
- Powerful – 790m<sup>3</sup>/h on the booster setting
- Efficient filtration – 10-layer stainless-steel grease filter
- Safe and easy to clean – Miele CleanCover
- Suitable for every home – for extraction or recirculation

<b>Construction type</b>	
Wall-mounted rangehood	•
<b>Design</b>	
Colour	Stainless steel
RAL colours available as customisation on request	•
Customisation possible on request	•
<b>Operating modes</b>	
Type of air guide	Convertible
Active charcoal filter (order separately)	DKF12-1
<b>User convenience</b>	
Electronic controls	•
Light-touch controls	•
Power levels (number without Booster level)	3
Booster level	•
Programmable Booster level switch-off	•
<b>Cleaning convenience</b>	
Easy-to-clean canopy interior – CleanCover	•
<b>Filter system</b>	
Number of dishwasher safe stainless steel grease filters	3
<b>Lighting</b>	
LED	•
Light intensity in Lx	450
Colour temperature in K	3,000
<b>Fan</b>	
Dual-action fan	•
AC motor	•
<b>Air throughput with max. duct diameter in extraction mode (not for external version)</b>	
Air throughput in Level 1 (m <sup>3</sup> /h)	290
Air throughput in Level 2 (m <sup>3</sup> /h)	420
Air throughput in Level 3 (m <sup>3</sup> /h)	570
Air throughput in Booster level (m <sup>3</sup> /h)	790
Sound power in Level 1 (dB(A) re 1 pW)	47
Sound power in Level 2 (dB(A) re 1 pW)	54
Sound power in Level 3 (dB(A) re 1 pW)	62
Sound power in Booster level (dB(A) re 1 pW)	68
Sound pressure in Level 1 (dB(A) re 20 µPa)	34
Sound pressure in Level 2 (dB(A) re 20 µPa)	41
Sound pressure in Level 3 (dB(A) re 20 µPa)	49
Sound pressure in Booster level (dB(A) re 20 µPa)	55

PUR 98 W

Wall mounted rangehood

with energy-efficient LED lighting and light-touch switches for easy use.

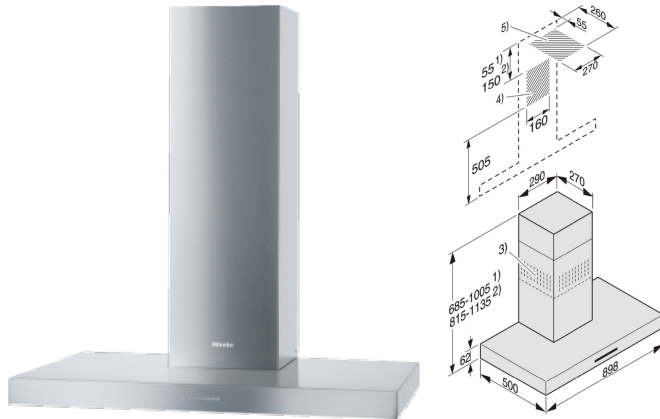


<b>Air throughput in recirculation mode</b>	
Air throughput in Level 1 (m <sup>3</sup> /h)	220
Air throughput in Level 2 (m <sup>3</sup> /h)	320
Air throughput in Level 3 (m <sup>3</sup> /h)	420
Air throughput in Booster level (m <sup>3</sup> /h)	470
Sound power in Level 1 (dB(A) re 1 pW)	60
Sound power in Level 2 (dB(A) re 1 pW)	66
Sound power in Level 3 (dB(A) re 1 pW)	71
Sound power in Booster level (dB(A) re 1 pW)	74
Sound pressure in Level 1 (dB(A) re 20 µPa)	47
Sound pressure in Level 2 (dB(A) re 20 µPa)	53
Sound pressure in Level 3 (dB(A) re 20 µPa)	58
Sound power in Booster level (dB(A) re 1 pW)	61
<b>Safety</b>	
Safety switch-off	•
<b>Technical data</b>	
Overall height for extraction mode and external mode cooker hoods in mm	685
Overall height for recirculation mode cooker hoods in mm	815
Canopy width in mm	898
Canopy height in mm	62
Canopy depth in mm	500
Net weight in kg	25.0
Length of supply lead in m	1.5
Standard plug fitted	•
Total rated load in kW	0.30
Voltage in V	230
Fuse rating in A	10
Number of phases	1
<b>Installation notes</b>	
Extraction ducting connection at top	•
Extraction connection at top and rear	•
Diameter of extraction ducting connection in mm	150
Telescopic chimney	•
<b>Standard accessories</b>	
Non-return flap	•
Adapter to reduce ducting diameter from 150 mm to 125 mm Ø	•

PUR 98 W

Wall mounted rangehood

with energy-efficient LED lighting and light-touch switches for easy use.



DA 419-6, DA 419-7 (Installation drawing)

- 1) Extraction
- 2) Recirculation
- 3) Ventilation grille at top for recirculation
- 4+5) Installation cut-out (5 not required for recirculation)