



Color Variants

RF463301AU

Optional accessories

RA450000

Mechanical particle filter

RA450010

Activated charcoal filter for water filter system including saturation indicator

Required installation accessories

RA460011

Installation Accessories

RA422610

Stainless steel door panel with handle

RA425110

Long stainless steel door handle

RA460020

Connecting element for vertically split appliance fronts (for a flush front)

RA460040

Finger protection for extra long furniture fronts

RA461614

Product Features

Product category

Upright freezer

Construction type

Built-in

Color / Material housing

Frost free system

Fridge and freezer

Climate class

SN-T

Panel ready

Not possible

Width of the product (mm)

603

Depth of the product

608

Required cutout size (HxWxD) (mm)

2134.0 x 610 x 610

Warning signal / malfunction

No signal

Defrost process

Cover door installation system

Fixed-mounted

Number of drawers/baskets (Stck)

2

Number of freezing flaps (Stck)

0

Lockable door

No

Thermometer freeze section

Digital

Light

Yes

Power cord length (cm)

300

Door Hinge

Left

Net weight (kg)

157.0

Gross weight (kg)

171.0

Multi-Flow Air Tower

Yes

Number of compressors

1

Number of independent cooling systems

1

Eco Mode

Yes

SUPERFREEZE

Yes

Number of Door Bins - Freezer

2

Adjustable Door Bins - Freezer

No

Tilt-Out Door Bins - Freezer

Yes

Number of Shelves - Freezer

2

Adjustable Door Bins - Freezer

No

Shelf Material - Freezer

Reversible Door Hinge

No

Consumption and connection features

Watts (W)

592

Current (A)

10

Frequency (Hz)

50

Approval certificates

KEMA

Energy consumption (kWh)

Total annual energy consumption (kWh)

UPC code

Variant color

Panel ready

Not possible

Installation Type

N/A

Silence level (dBA)

38

Energy Star® qualified

No

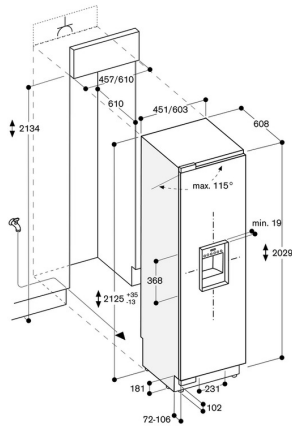
Approval certificates

KEMA

Power Cord Length

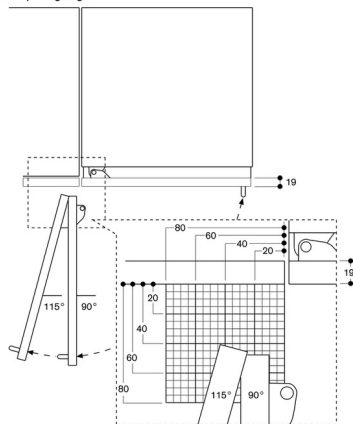
Plus type

GAGGENAU



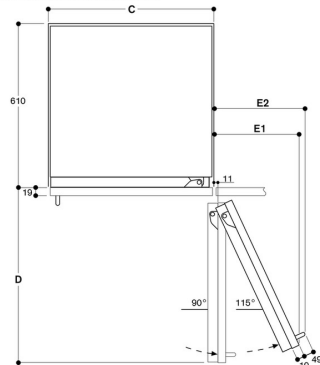
The door face dimensions are designed for a maximum gap of 3 mm.

Door opening angle



The hinge path and the resulting distances to the neighboring furniture and furniture handles can be taken from the drawing depending on the front thickness. In the drawing, a furniture front thickness of 19 mm is assumed.

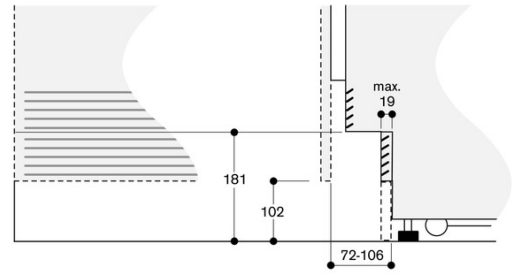
Wall clearance RB 472/RC/RF/RW



Niche width	D	E1	E2
C			
457 mm	525 mm	235 mm	265 mm
610 mm	677 mm	299 mm	330 mm
762 mm	830 mm	363 mm	395 mm

In the drawing, a furniture front thickness of 19 mm as well as the height of a Gaggenau furniture handle of 49 mm is assumed.

Base details



Based on the standard height of the appliance, the height of the toe kick is 102 mm. The maximum width of the toe kick is 19 mm.