



Color Variants

RW404262

Under-counter, stainless steel-framed glass door
Niche width 60 cm, Niche height 82 cm

RW404262

Wine climate cabinet
Under-counter, stainless steel-framed glass door
Niche width 60 cm, Niche height 82 cm



2 independently controllable climate zones
Consistent temperatures with exact control from +5 °C to +20 °C
Humidity control
Extendable bottle trays in beech and aluminium
LED lighting
Cushioned door closing system allowing a soft and controlled door closure
Lockable door
Capacity 34 bottles
Side-by-side installation possible with special accessory

Handling

Electronic temperature control with digital display.
Touch keys.
Presentation light option in each climate zone, dimmable.
Interior lighting with automatic dimming with opening and closing of door.

Technical Features

Dynamic cold air distribution.
Automatic defrosting with defrost water evaporation.
Cushioned door closing system integrated in door hinge.
1 activated charcoal air filter for both climate zones.
UV-protection.
Open-door and malfunction alarm.
Dust filter, dishwasher-safe.

Features

Capacity 34 bottles (based on 0.75/l standard bottles).
5 bottle trays, 3 of which are extendable.
Storage of magnum bottles possible.
LED lighting.

Consumption data

Planning notes

Flat hinge.
Door hinge right, reversible.
Height-adjustable feet.
For integration next to a side wall a clearance of 150 mm hinge side is necessary.
The mains socket needs to be planned outside the built-in niche.
No transport/operation above 1.500 m sea level.

Connection

Total connected load 0.130 KW.
Connecting cable 2.0 m with plug.

Characteristics

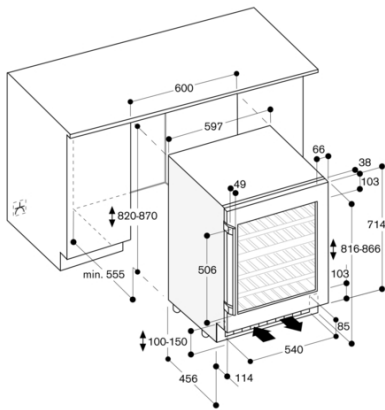
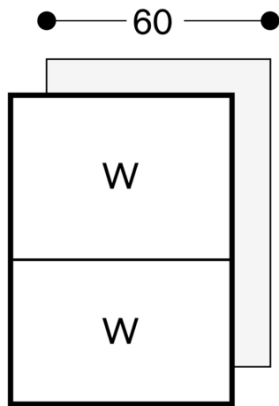
Energy Efficiency Class (Regulation (EU) 2017/1369)	G
Average annual energy consumption in kilowatt hour per year (kWh/a) (EU) 2017/1369	146
Capacity of 75 cl bottles (EU) 2017/1369	34
Airborne acoustical noise emissions (EU 2017/1369)	35
Airborne acoustical noise emission class (EU 2017/1369)	B
Built-in / Free-standing	Built-in
Door panel options	Not possible
Height	818
Width of the appliance	597
Depth of the product	570
Required niche size for installation (HxWxD)	820 x 600 x 580
Net weight	53.000
Connection Rating	130
Fuse protection	10
Interior ventilator	Yes
Voltage	220-240
Frequency	50-60
Approval certificates	CE, VDE
Length electrical supply cord	200
Plug type	Gardy plug w/ earthing
Number of compressors	1
Number of independent cooling systems	1
Reversible Door Hinge	Yes
Interior light switch	No
EAN code	4242006295042
Brand	Gaggenau
Product name / Commercial code	RW404262
Product category	

Consumption and connection features

2021-10-01
Page 1

RW404262
Wine climate cabinet
Under-counter, stainless steel-framed
glass door
Niche width 60 cm, Niche height 82 cm

2021-10-01
Page 2



Bottle storage

