



## RW464260AU

**Vario wine climate cabinet 400 series  
fully integrated, with glass door  
Niche width 61 cm, Niche height 213.4 cm**

- Two independently controllable climate zones
- Consistant temperatures with exact control from +5 °C to +20 °C
- Humidity control
- Stainless steel interior
- Fully extendable bottle trays in beech and aluminium
- Presentation light option
- Low-vibration operation
- Capacity 99 bottles

### Handling

- Electronic temperature control with digital display.

### Technical Features

- Dynamic cold air distribution.
- Automatic defrosting with defrost water evaporation.
- Antimicrobial activated charcoal air filter.
- Energy-saving vacation mode.
- Open-door and malfunction alarm.

### Features

- Net volume 394 litres.
- Capacity 99 bottles (based on 0.75l standard bottles).
- 10 fully extendable bottle trays, up to 4 of which for storage of magnum bottles.
- Space for max. 13 bottle trays or shelves in aluminium.
- Interior lighting with 3 ceiling spots, 1 of which can be used as a presentation light in the lower climate zone.

### Consumption data

- Energy consumption NO\_FEATURE/24 h.

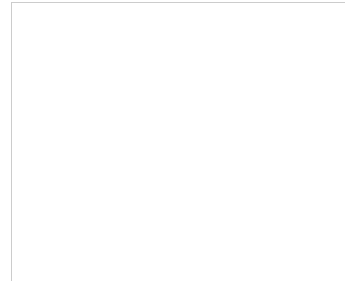
### Planning notes

- Flat hinge.
- Door hinge right, reversible.
- Door opening angle of 115°, fixable at 90°.
- Max. door panel weight 72 kg.
- No transport/operation above 1.500 m sea level.

### Connection

- Total connected load 0.131 kW.
- Connecting cable 2.0 m with plug.

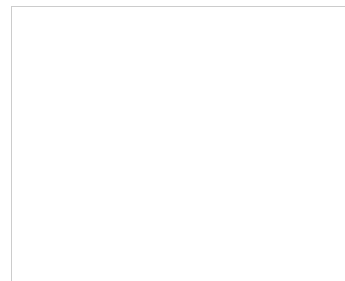
### Included accessories



### Optional accessories

- HZ360011 Accessories refrigeration
- RA491631 Extendable bottle tray RW 464
- RA492630 Extendable alu tray for RW464
- RA493030 Special display tray Alu (set of 3)

### Alternative colors available



### Technical Data

#### Characteristics

Built-in / Free-standing : Built-in  
 Door panel options : Not possible  
 Height (mm) : 2125  
 Width of the product (mm) : 603  
 Depth of the product : 608  
 Required niche size for installation (HxWxD) : 2134.0 x 610 x 610  
 Net weight (kg) : 161.000  
 Connection Rating (W) : 131  
 Current (A) : 10  
 Voltage (V) : 220-240  
 Frequency (Hz) : 50  
 Approval certificates : KEMA  
 Length electrical supply cord (cm) : 200.0  
 Plug type : AU plug  
 Total unit gross capacity (l) : 422  
 Number of independent cooling systems : 1  
 Interior ventilator : Yes  
 Reversible Door Hinge : Yes  
 Interior light switch : No  
 Number of temperature zones : 1  
 Range of temperature (°C) : 5-18  
 Economy setting : Yes  
 Carbon Air Filter : No  
 Presenter Lighting : Yes  
 Presenter Shelf : Yes  
 Number of adjustable shelves : 0  
 Number of shelves : 10  
 Type of Light : Halogen  
 Interior ventilator : Yes

#### Consumption and connection features

Brand : Gaggenu  
 Product name / Commercial code : RW464260AU  
 Capacity in 0.75l (bordeaux bottles) : 99  
 Climate class : SN-T  
 Noise level (dB) : 42  
 Door panel options : Not possible  
 Installation typology : N/A  
 Noise level (dB) : 42  
 Connection Rating (W) : 131  
 Current (A) : 10  
 Voltage (V) : 220-240  
 Frequency (Hz) : 50  
 Approval certificates : KEMA  
 Plug type : AU plug

Gaggenu  
 RW464260AU  
 Vario wine climate cabinet 61cm

Predecessor:

Successor:

EAN code:  
 4242006186012

sales programme:

RW464260AU

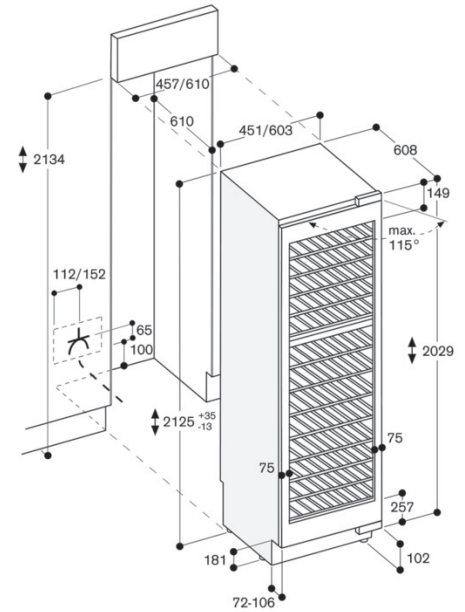
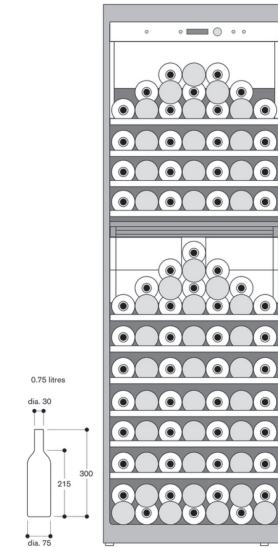
Vario wine climate cabinet 400 series

fully integrated, with glass door

Niche width 61 cm, Niche height 213.4 cm

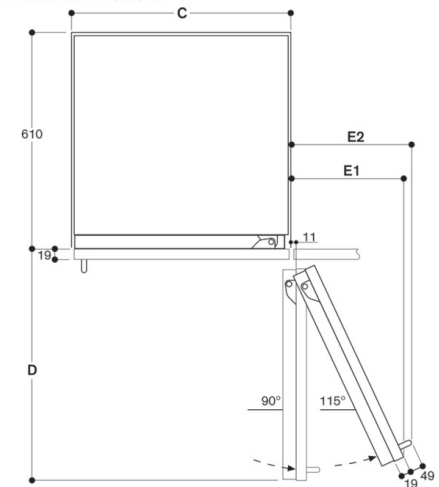


Bottle storage



The maximum door panel dimensions are based on a clearance of 3 mm.

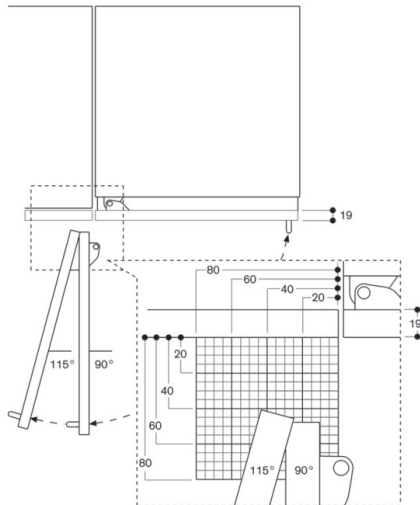
Wall clearance RC/RF/RW



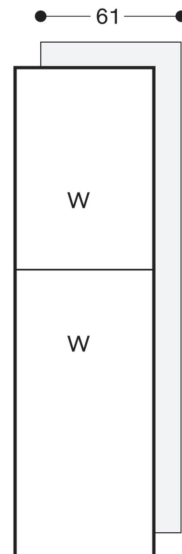
Recess width			
C	D	E1	E2
457 mm	525 mm	235 mm	265 mm
610 mm	677 mm	299 mm	330 mm
762 mm	830 mm	363 mm	395 mm

In the drawing, a unit front thickness of 19 mm and a Gaggenau unit handle of 49 mm were taken as a basis.

Door opening angle



The hinge travel and resulting clearances from adjacent furniture units and handles can be found from the drawing while allowing for the thickness of the front panel. In the drawing, a furniture unit front panel thickness of 19 mm was assumed.



RW464260AU

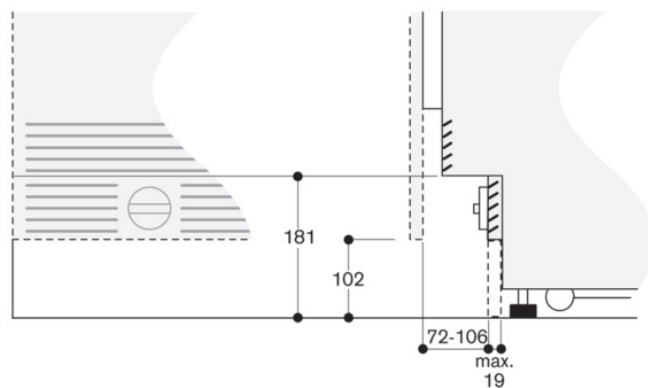
Vario wine climate cabinet 400 series

fully integrated, with glass door

Niche width 61 cm, Niche height 213.4 cm



## Base detail



Based on the standard appliance height, the height of the plinth is 102 mm. Maximum plinth thickness 19 mm.