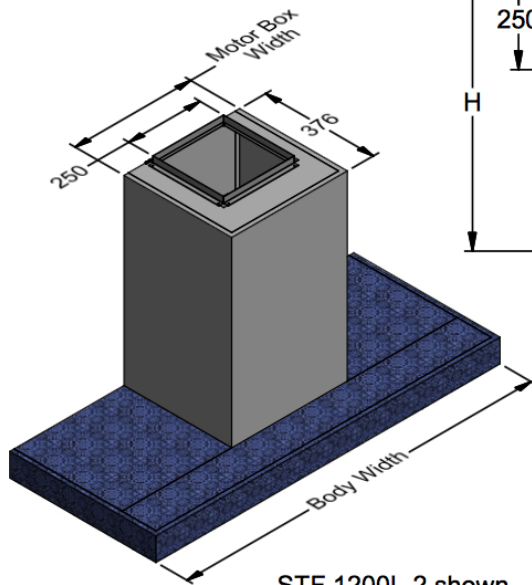
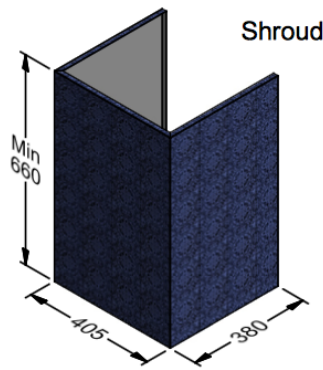


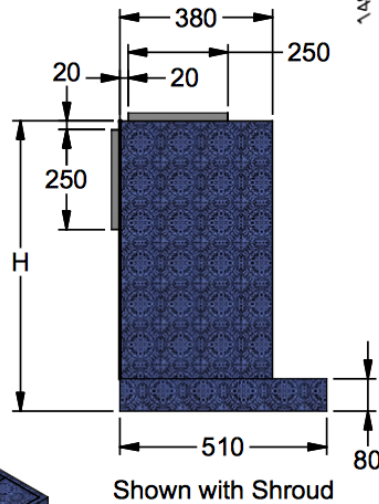
STF 900L-2 shown without shroud.



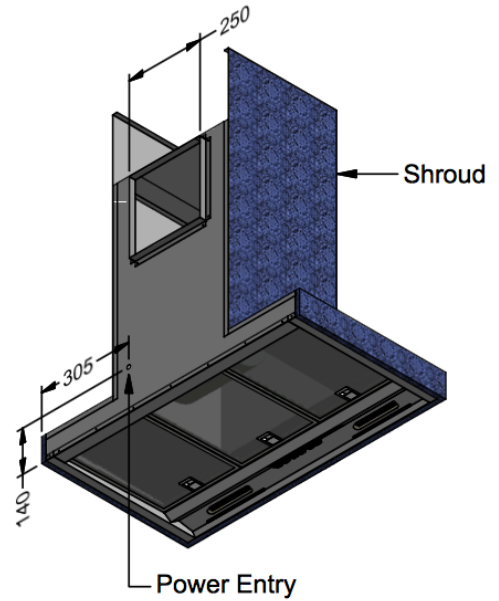
STF 1200L-2 shown without shroud.



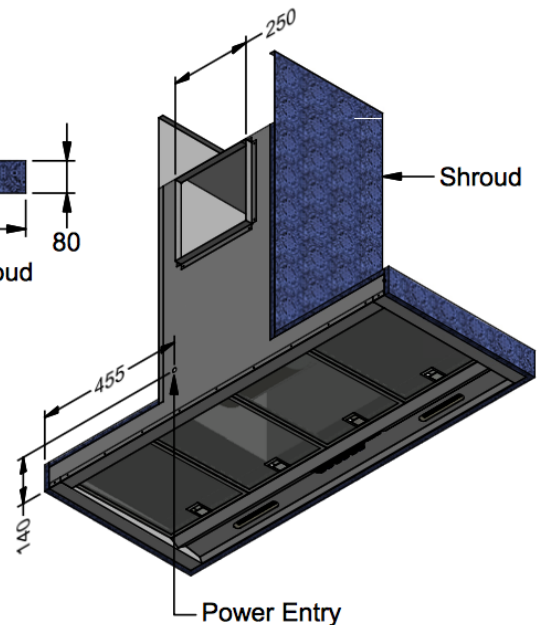
Shroud



Shown with Shroud



Power Entry



Power Entry

Rangehood is manufactured as top ducted only. A conversion kit for back ducted is supplied.

Model	STF 900L-2	STF 1200L-2	Model	STF 900L-2	STF 1200L-2
Body Width	900mm	1200mm	Filter Size	272mm x 355mm	272mm x 355mm
Motor Box / Flue Width	403mm	403mm	Conversion Top/Back	YES	YES
Motor Qty	2	2	Electrical Connection	Junction Box	Junction Box
LED Light	Cool	Cool	Minimum Height (H =)	740mm	740mm
Nightlight	YES	YES	Maximum Height (H =)	1280mm	1280mm
Light Qty	2	2	PowderKote® Available	N/A	N/A
Light Centres	510mm	648mm	All-thread Fixing Centres	N/A	N/A
Filter Qty	3	4	Corner Type	Square	Square