

Convenience At Your Fingertips

Quality, Design and Innovation



SUIK 1510

LIEBHERR



Door-on-door technology: Allows custom panels to be affixed directly onto the appliance door so that the hinges are concealed, plus the cabinet and the fridge open as one, ensuring a wide range of design options and easy installation.



SoftSystem: In built-in appliances, SoftSystem technology allows doors to close automatically and gently from 30° to eliminate slamming even when fully loaded.



The **SUIK 1510** undercounter fridge is suitable for Side-by-Side installation in conjunction with Liebherr's **SUIG 1514** undercounter freezer for integrated use.

Liebherr's space-saving and efficient undercounter appliances are the practical choice for compact living spaces or couples. The **SUIK 1510** undercounter fridge is great for your fresh produce. Our innovative SoftSystem technology ensures that the appliance door closes gently even when it is fully loaded. Airflow in this unit enters and exits from the front at plinth level, hence no ventilation grill is required in the worktop. Heights of the glass shelves are adjustable to accommodate large items for added flexibility.

Liebherr's SUIK 1510 undercounter fridge is the perfect companion for the SUIG 1514 undercounter freezer. This will be the ideal solution for studio apartments or even your home gym!

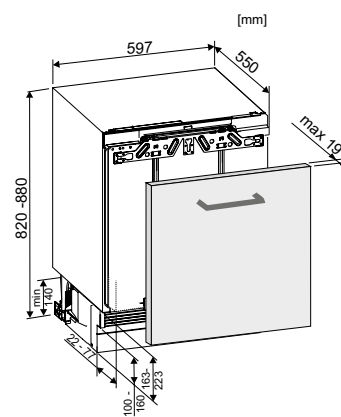
SUIK 1510

Comfort

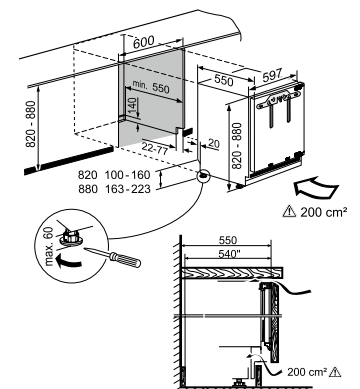
Soft System

Sound rating dB(A) *	37
Refrigerator capacity litre	136
Number of shelves	4
Number of door racks	2
Electronic control	MagicEye on front, key electronic
Refrigerator temperature range °C	+2 °C to +9 °C
Defrost type	Automatic
Interior light	LED
Door alarm	Visual and audible
Door type	Door-on-door
Integrated lock	No
SoftSystem	Yes
Door hinges	Right, reversible
Product dimensions (H/W/D) cm	82 - 88 / 59.7 / 55
Cut out dimensions (H/W/D) cm	82 - 88 / 60 / min. 55
Gross / Net weight kg	40.6 / 34.5
Voltage V/Hz	220-240 / 50-60

Installation Diagram



Ventilation Diagram



* Noise output - according to EN 60704-3

Subject to modification. Current data see home.liebherr.com