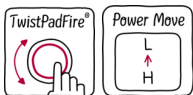
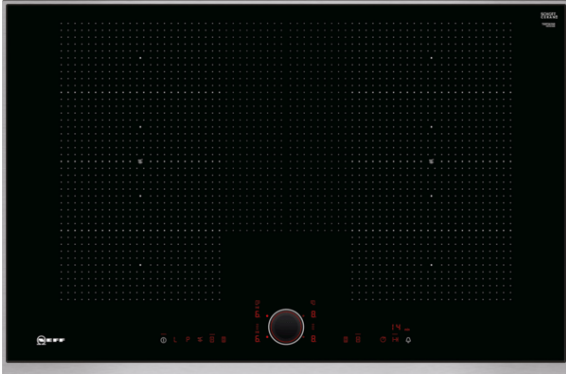


N 90, Induction hob, 80 cm, Black  
T68TS61N0



Standalone FlexInduction cooktop with TwistPad® Fire control.

- ✓ TwistPadFire® – our removable, magnetic, illuminated control dial that gives you precise control over all cooking zones.
- ✓ Power Move – the flex zone offers three heating zones: boiling in front, simmering in the middle and warming in the rear.
- ✓ Induction – the heat is generated directly in the cookware for precise cooking that stops when power is off.
- ✓ The FlexInduction zone automatically detects the number, size and shape of the pots and pans used and heats up precisely where it's needed.

Features

Technical Data

Product name/family : Cooking zone ceramic  
 Construction type : Built-in  
 Energy input : Electric  
 Total number of positions that can be used at the same time : 4  
 Required niche size for installation (HxWxD) : 51 x 750-780 x 490-500  
 Width of the appliance : 826  
 Dimensions : 51 x 826 x 546  
 Dimensions of the packed product (HxWxD) (mm) : 126 x 953 x 603  
 Net weight (kg) : 18.756  
 Gross weight (kg) : 20.4  
 Residual heat indicator : Separate  
 Location of control panel : Hob front  
 Basic surface material : Ceramic  
 Color of surface : Black, Stainless steel  
 Color of frame : Stainless steel  
 Approval certificates : AENOR, CE  
 Length electrical supply cord (cm) : 110  
 EAN code : 4242004190882  
 Electrical connection rating (W) : 7400  
 Voltage (V) : 220-240  
 Frequency (Hz) : 50; 60

Optional accessories

Z9410X1	Stainless Steel roaster with glas lid
Z9415X1	Steaming Rack for Stainless Steel roaste
Z9416X2	Griddle Plate
Z9417X2	Teppan Yaki (large)
Z943SE0	Set of 2 pots and 1 pan
Z9453X0	System pan diameter 21cm



# N 90, Induction hob, 80 cm, Black

T68TS61N0

## Features

### Handling

- TwistPad® Fire

### Flexibility

- 2 Flex zones + auxiliary zone
- 2 extended FlexInduction zones
- 4 induction zones
- Cooking zones: 1 x Ø 400 mmx230 mm, 3.3 KW (max. Power level 3.7 KW) Induction or 2 x Ø 190 mm, 2.2 KW (max. Power level 3.7 KW) Induction; 1 x Ø 400 mmx230 mm, 3.3 KW (max. Power level 3.7 KW) Induction or 2 x Ø 190 mm, 2.2 KW (max. Power level 3.7 KW) Induction
- 2 x FlexInduction with 2 Use options: 2 Individual-Induction-Cooking Zones with 230 mm surfaces or one flexible Induction-Cooking zone with 1 x Ø 400 mmx230 mm surface

### Comfort & Convenience

- PotBoost function for all cooking zones
- PanBoost
- PowerMove
- PowerTransfer
- FryingSensor with 5 temperature settings
- 17 power levels for each cooking zone
- Residual heat indicator: Digital 2-step
- LED display and timer with auto switch off for all cooking zones, Count-up timer, Alarm clock
- Automatic pan recognition sensor powerManagement Function Automatic safety switch-off Child safety lock Wipe protection function
- ReStart function
- QuickStart - Quick and automatic first pot detection
- Keep warm function for all cooking zones

### Design

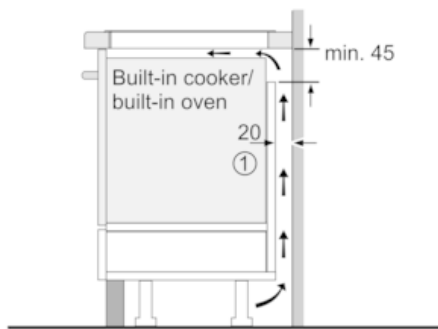
- Frameless with front faceted glass

### Technical Information

- 80 cm width
- Installation measurements: 750 mm x 490 mm
- Length wire connection: 110 cm
- Min. worktop thickness: 30 mm
- 7.4 KW total connected load
- Voltage: 220 - 240 V
- Cable included

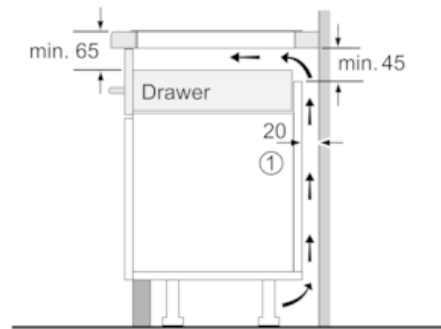
N 90, Induction hob, 80 cm, Black  
T68TS61N0

Dimensioned drawings



① Ventilation gap must be present

All measurements in mm



① Ventilation gap must be present.

Measurements in mm

