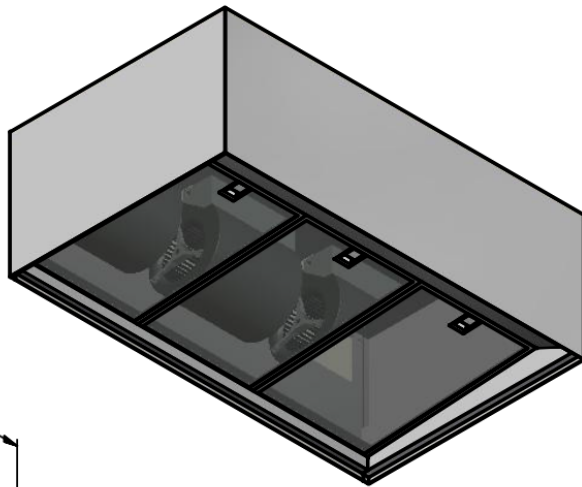
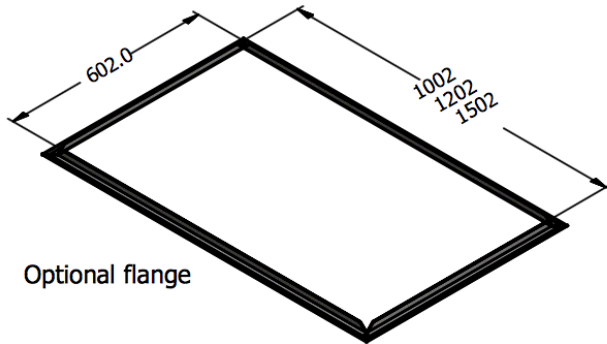
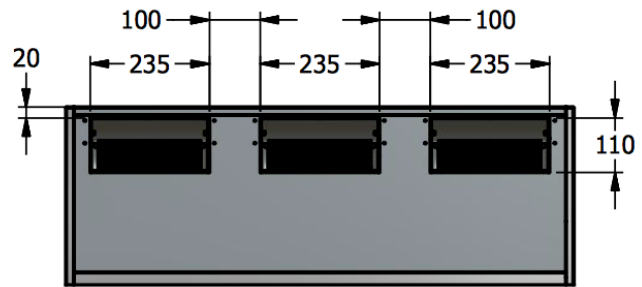
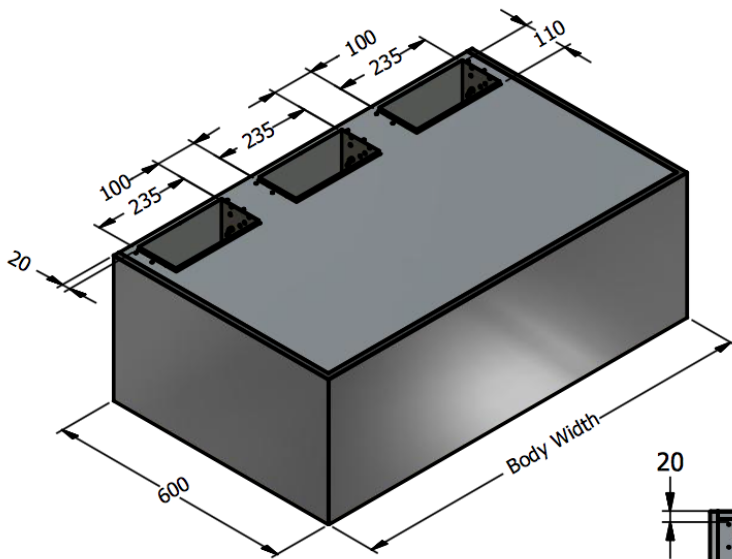
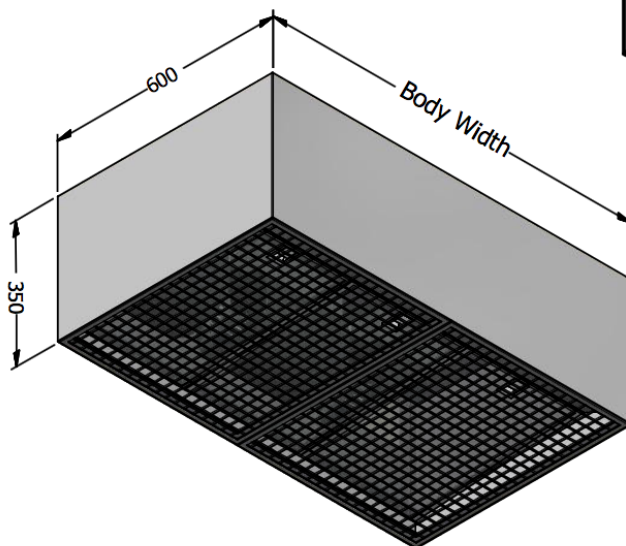


Width and depth can be altered to fit available space in the ceiling.



View shown with grills removed to expose filters



THERMIDOR Rangehoods
Can Be Either Top or Back Ducted.

Lights are not fitted to this hood.
 This is a remote switched hood supplied with 3 Mtr Leads
 additional cable length can be supplied.

Model	Body Width	Fans	Grills	Grill Size	Filters	Filter size
TR CT 1000-3	1000mm	3	2	498 x 596mm	3	320 x 480mm
TR CT 1200-3	1200mm	3	2	598 x 596mm	4	290 x 480mm
TR CT 1500-3	1500mm	3	3	498 x 596mm	5	290 x 480mm