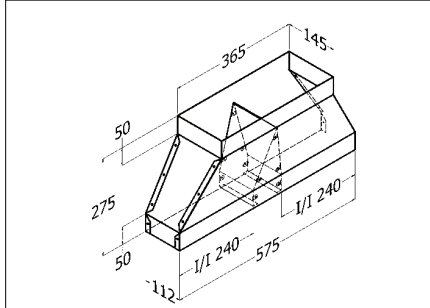
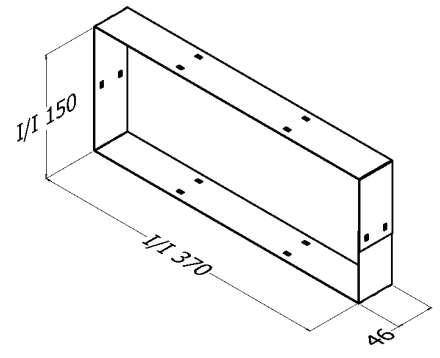
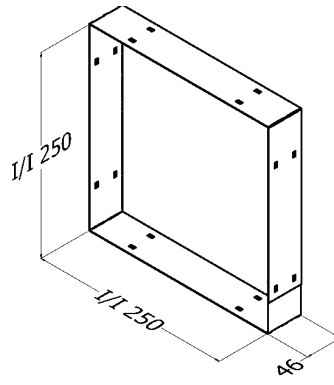


**TWIN MOTOR DUCTING**

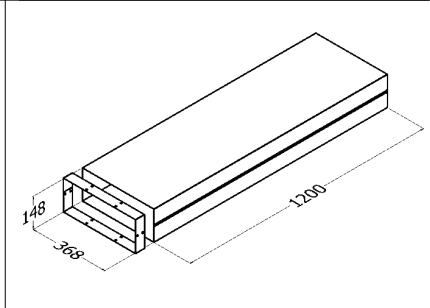
I/I: Inside to Inside

Measurement

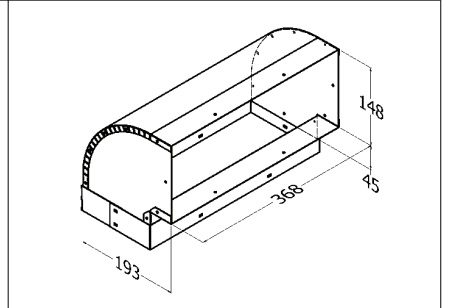
**NOTE:** This Zinc Alume Strip is provided to join some duct pieces together. It will be clearly shown on the drawing of the piece it is supplied with.



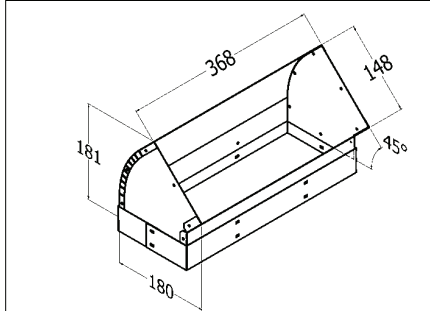
**201. TMT**  
Twin Motor Transition



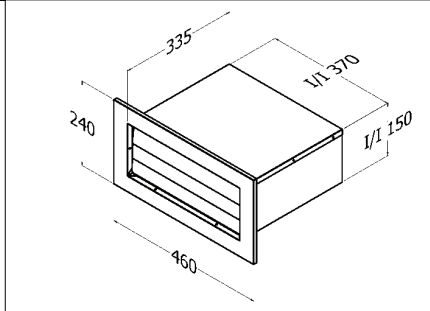
**202. DL-2**  
Twin Motor Duct Length 1200mm



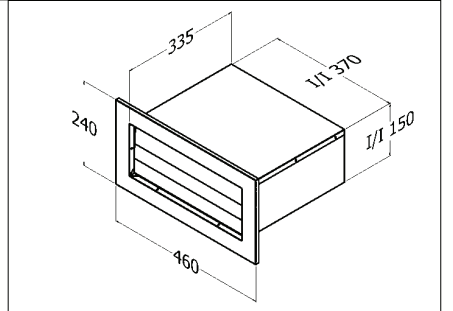
**203. HB-2**  
Horizontal Bend Twin Motor 90°



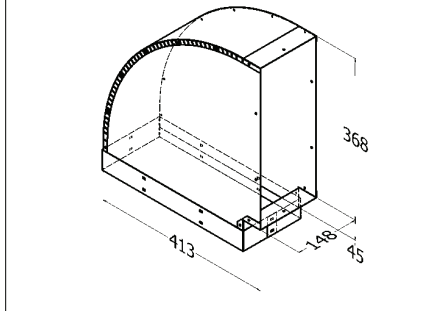
**204. HB-2/45**  
Horizontal Bend Twin Motor 45°



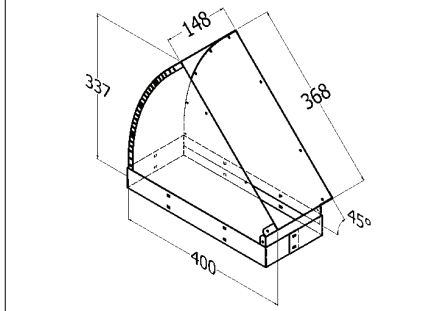
**205. BD/WV-H-2**  
Back Draft Wall Vent Twin Motor Horizontal



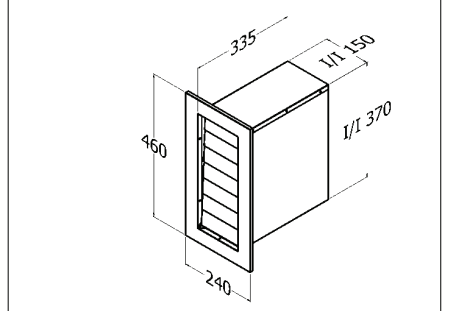
**206. BD/WV-H-2 SS**  
Back Draft Wall Vent Twin Motor Horizontal  
445M2 Stainless Steel



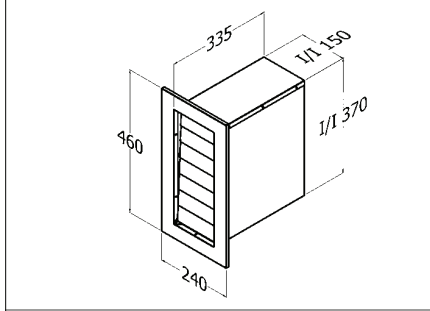
**207. VB-2**  
Vertical Bend Twin Motor 90°



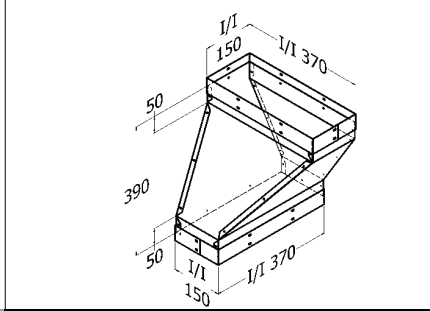
**208. VB-2/45**  
Vertical Bend Twin Motor 45°



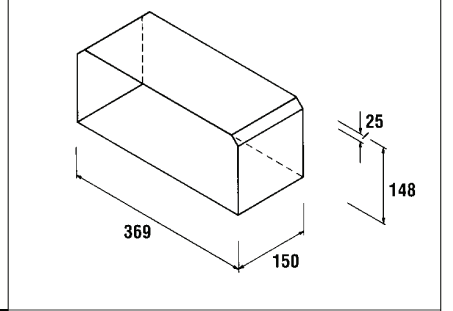
**209. BD/WV-V-2**  
Back Draft Wall Vent Twin Motor Vertical



**210. BD/WV-V-2 SS**  
Back Draft Wall Vent Twin Motor Vertical  
445M2 Stainless Steel

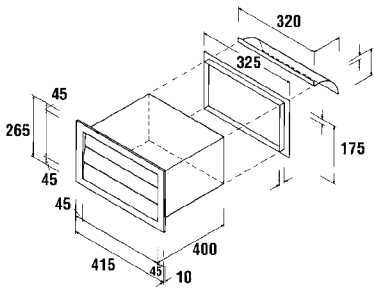


**211. TT-2**  
Twisted Transition Twin Motor

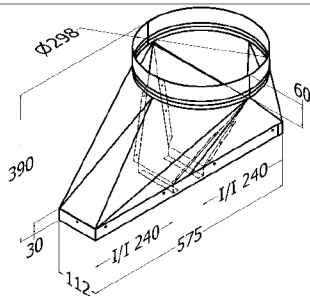


**212. DLE-2 TO DLE-2**  
Flue Joiner Twin Motor

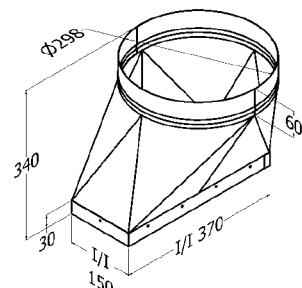
▲ TWIN MOTOR



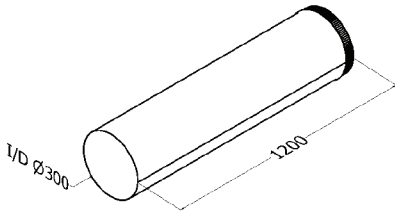
**213.** BD-10/12/15-WV-R/R  
Back Draft Wall Vent 10/12/1500H



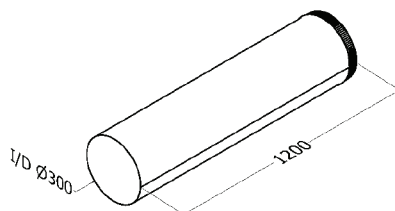
**214.** TMT-300  
Twin Motor Transition to 300Ø



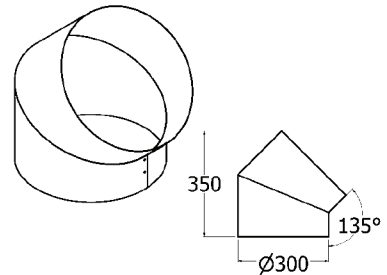
**215.** TR-2  
Twin Motor Transition from DL-2 to 300Ø



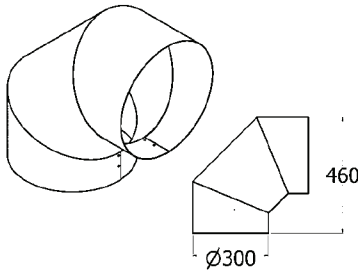
**216.** DR-300  
Duct Length 300Ø



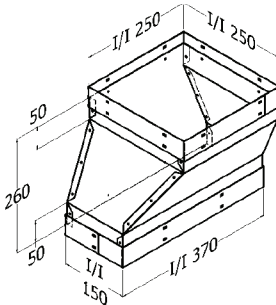
**217.** DR-300 CB  
Duct Length 300Ø Colourbond



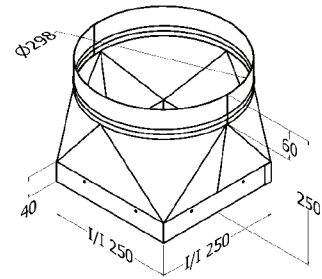
**218.** DR-300/45  
300Ø Bend 45°



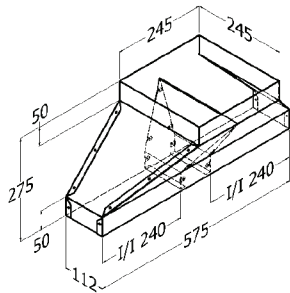
**219.** DR-300/90  
300Ø Bend 90°



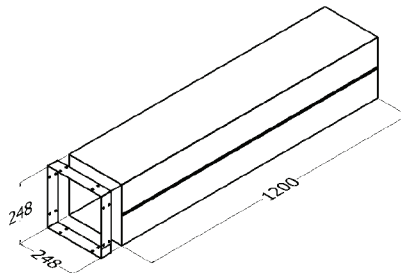
**220.** DL-2/250SQ  
Twin Motor Transition DL-2 to 250SQ



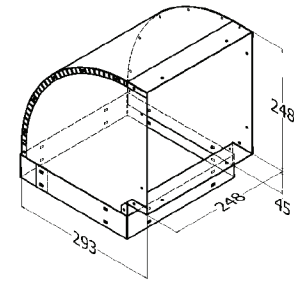
**221.** TMT-250/300  
Twin Motor Transition 250SQ to 300Ø



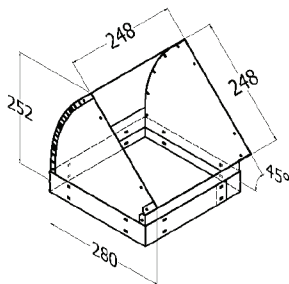
**222.** TMT-250  
Twin Motor Transition to 250SQ



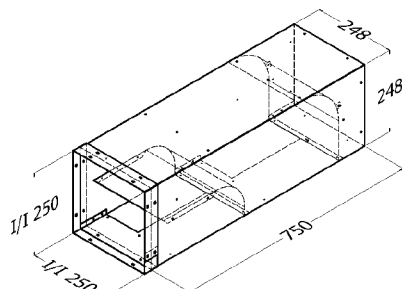
**223.** DL-250  
Duct Length 250SQ



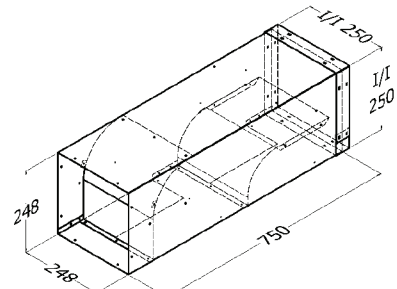
**224.** HB-250  
Horizontal Bend 250SQ 90°



**225.** HB-250/45  
Horizontal Bend 250SQ 45°



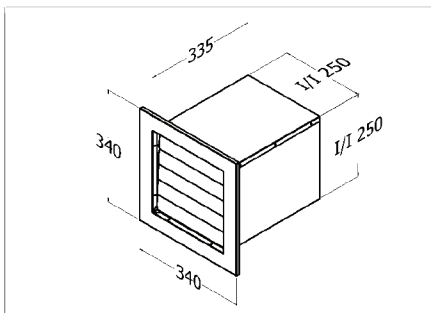
**226.** TMT-250/90 L  
Duct Deflector 250SQ Left



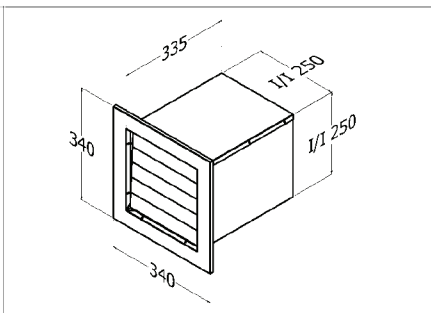
**227.** TMT-250/90 R  
Duct Deflector 250SQ Right

▲ TWIN MOTOR

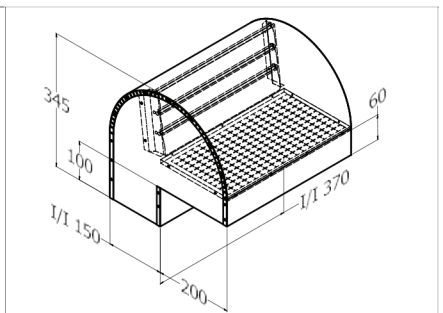
QASAIR RESERVES THE RIGHT TO CHANGE SPECIFICATION WITHOUT NOTICE ® IS A REGISTERED TRADE MARK MADE IN RINGWOOD 3134



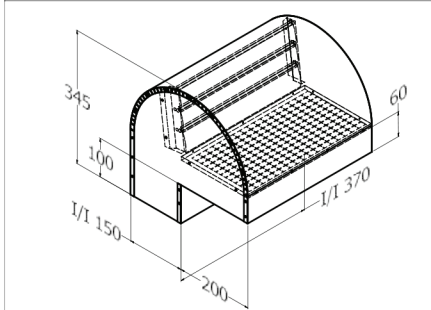
**228. BD/WV-250 SQ**  
Back Draft Wall Vent 250SQ



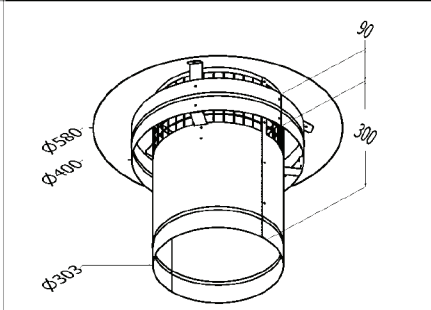
**229. BD/WV-250 SQ SS**  
Back Draft Wall 250SQ 445M2 Stainless Steel



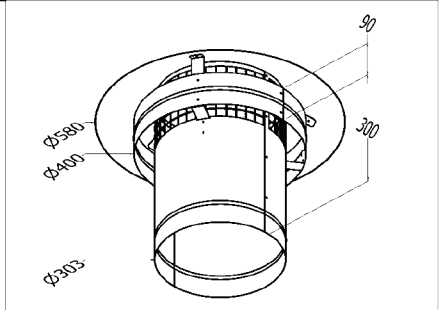
**230 BD/RC-2**  
Back Draft Roof Cowl Twin Motor



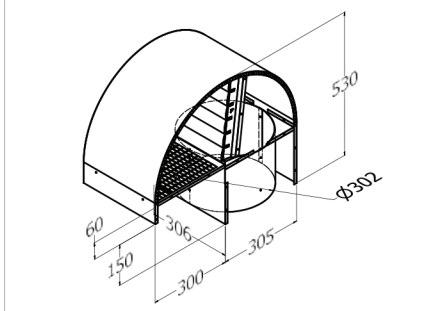
**231. BD/RC-2 CB**  
Back Draft Roof Cowl Twin Motor Colourbond



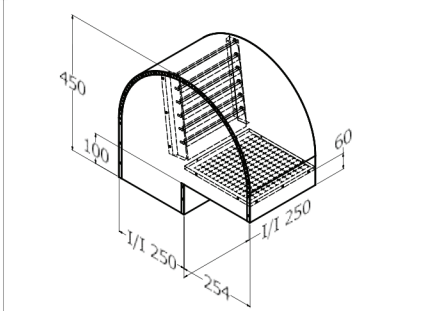
**232. CH-300**  
Chairman's Hat 3000



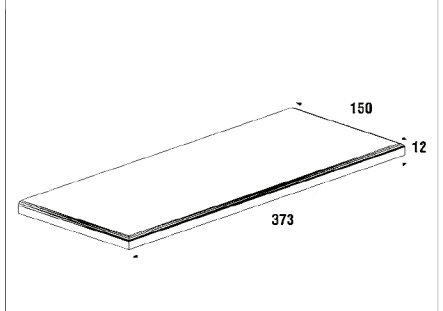
**233. CH-300 CB**  
Chairman's Hat 3000 Colourbond



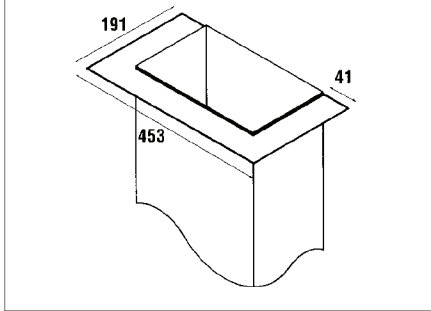
**234. BD/SQ-RC 300**  
Back Draft Roof Cowl 3000



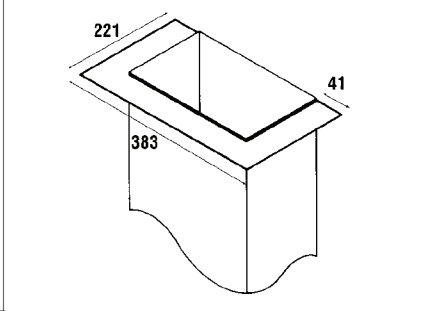
**235. BD/RC-250 SQ**  
Back Draft Roof Cowl 250SQ



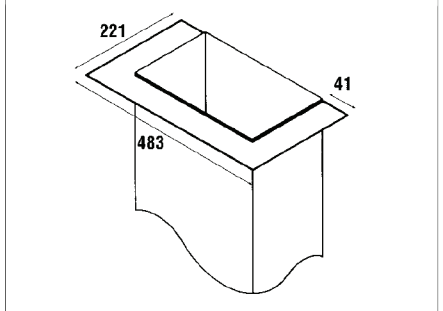
**236. DLE-2-S/S CAP**  
Stainless Steel Flue Cap to Suit DLE-2



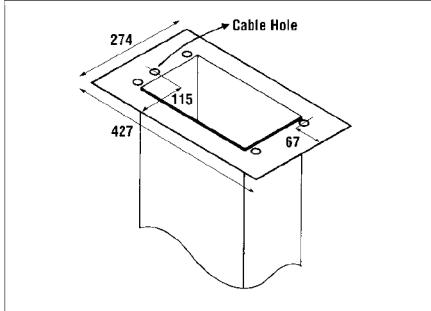
**237. CF 10/12/1500H**  
Ceiling Flange to Suit 10/12/1500H



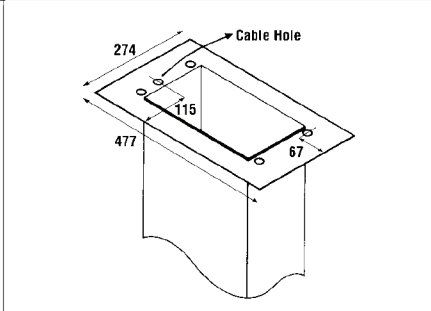
**238. CF 3F-900-2**  
Ceiling Flange to Suit 3F 900-2



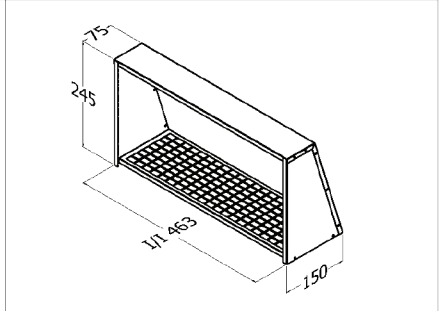
**239. CF 3F-1200-2**  
Ceiling Flange to suit 3F 1200-2



**240. CF 4F-900-2**  
Ceiling Flange to Suit 4F 900-2



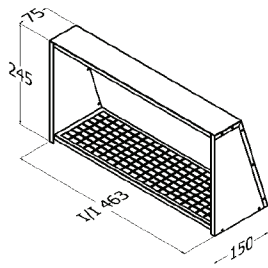
**241. CF 4F-1200-2**  
Ceiling Flange to suit 4F 1200-2



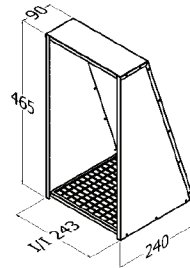
**242. WVC-H-2**  
Wall Vent Cover Twin Motor Horizontal

TWIN MOTOR

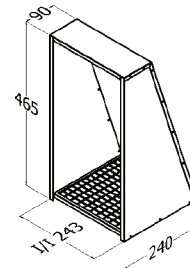
QASAIR RESERVES THE RIGHT TO CHANGE SPECIFICATION WITHOUT NOTICE © IS A REGISTERED TRADE MARK MADE IN RINGWOOD 3134



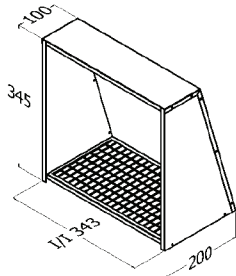
**243. WVC-H-2 SS**  
Wall Vent Cover Twin Motor Horizontal  
445M2 Stainless Steel



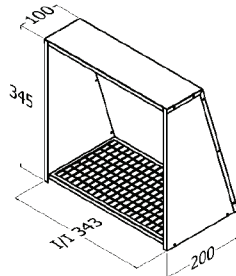
**244. WVC-V-2**  
Wall Vent Cover Twin Motor Vertical



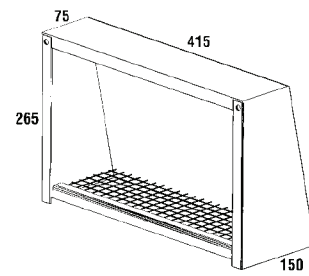
**245. WVC-V-2 SS**  
Wall Vent Cover Twin Motor Vertical  
445M2 Stainless Steel



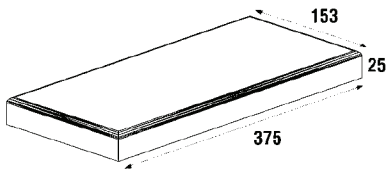
**246. WVC-250 SQ**  
Wall Vent Cover 250SQ



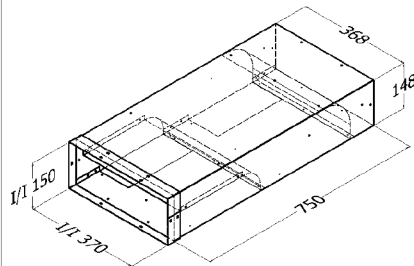
**247. WVC-250 SQ SS**  
Wall Vent Cover 250SQ 445M2 Stainless Steel



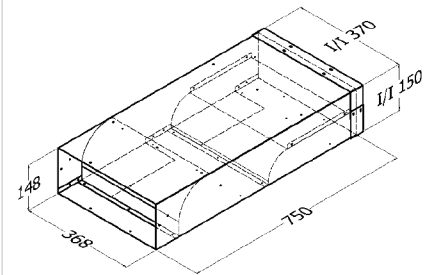
**248. WVC-10/12/15H-R/R**  
Wall Vent Cover to suit 10/12/1500H



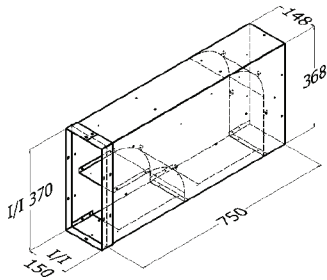
**249. 10/12/15H-SC**  
Spigot Cap to Suit 10/12/1500H



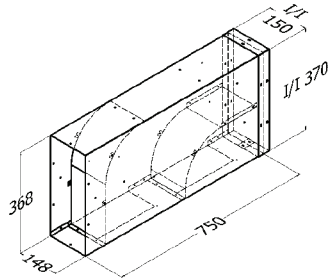
**250. DD-2H-L**  
Duct Director Twin Motor Horizontal Left



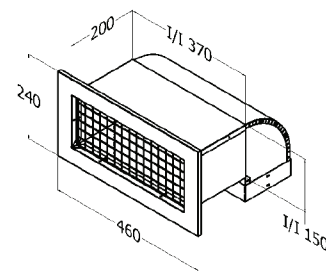
**251. DD-2H-R**  
Duct Director Twin Motor Horizontal Right



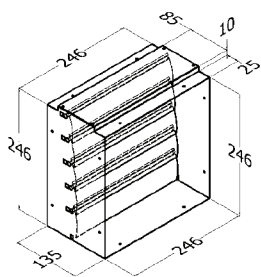
**252. DD-2V-L**  
Duct Director Twin Motor Vertical Left



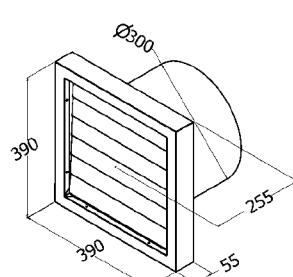
**253. DD-2V-R**  
Duct Director Twin Motor Vertical Right



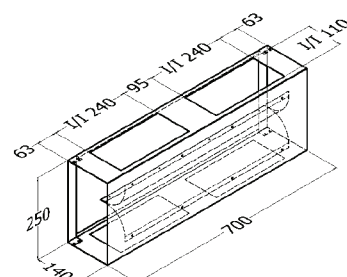
**254. EV/DL-2**  
Eave Vent to Suit DL-2



**255. BD/M-250SQ**  
Back Draft Damper Twin Motor 250SQ



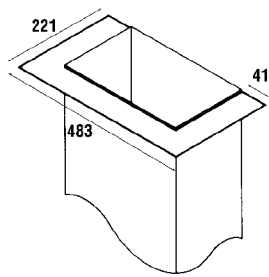
**256. BD/WV-3000**  
Back Draft Wall Vent



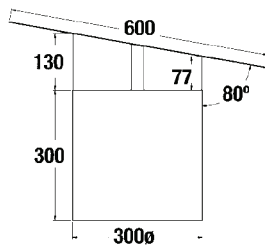
**257. BD/WVC-SBS**  
Twin Motor Wall Vent Deflector

▲ TWIN MOTOR

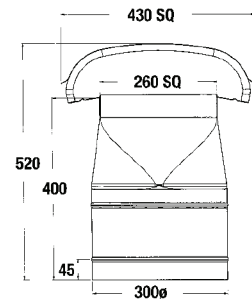
QASAIR RESERVES THE RIGHT TO CHANGE SPECIFICATION WITHOUT NOTICE © IS A REGISTERED TRADE MARK MADE IN RINGWOOD 3134



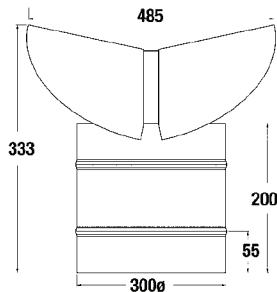
**258. CF 3F-1500-2**  
Ceiling Flange to Suit 3F 1500-2



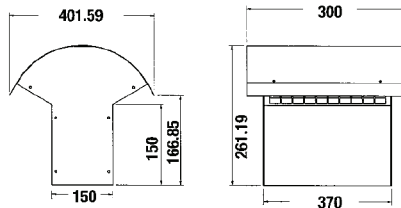
**259. RCP 300 SS**  
Roof Cap 300φ 445M2 Stainless Steel



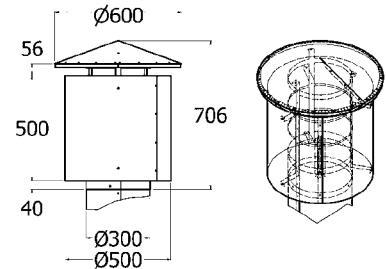
**260. RV 300 SS**  
Roof Ventilation Cowl 300φ 445M2 Stainless Steel



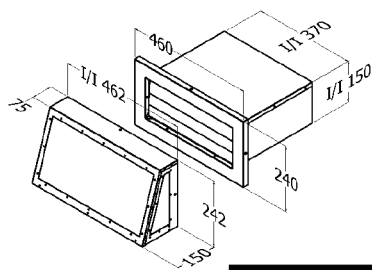
**261. RC 300 SS**  
Roof Cowl 300φ 445M2 Stainless Steel



**262. RC 2 SS**  
Roof Cowl Twin Motor 445M2 Stainless Steel

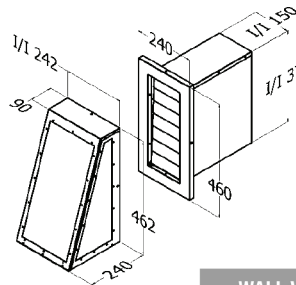


**263. FRC 300 SS**  
Fire Rated Roof Cowl 300φ  
445M2 Stainless Steel



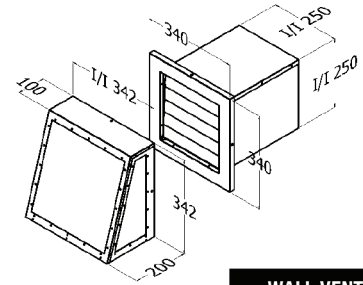
**WALL VENT**

**264. FRWW-H-2 SS**  
Fire Rated Wall Vent Twin Motor Horizontal  
445M2 Stainless Steel



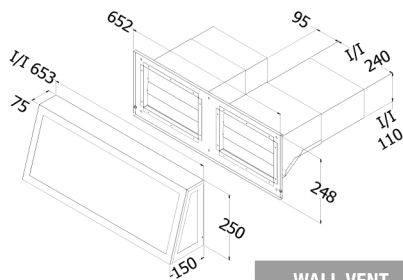
**WALL VENT**

**265. FRWW-V-2 SS**  
Fire Rated Wall Vent Twin Motor Vertical  
445M2 Stainless Steel



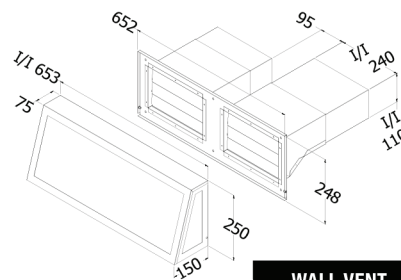
**WALL VENT**

**266. FRWW-250 SQ SS**  
Fire Rated Wall Vent Twin Motor 250SQ  
445M2 Stainless Steel



**WALL VENT**

**267. BD/WW/K-H-2**  
Kit assembled as one piece. Two Single Motor  
Back Draft Wall Vent Horizontal  
with telescopic length & cover



**WALL VENT**

**268. FRWW/K-H-2**  
Kit assembled as one piece. Fire rated Two Single  
Motor Back Draft Wall Vent Horizontal  
with telescopic length & cover

**ROOF COWLS, WALL VENTS  
AND WALL VENT COVERS**

All the above ducting pieces are all made in stainless steel type 445M2 which has a chromium content of 22% which is far greater than marine grade stainless steel and provides better protection.

This is stated on the description of each piece in the ducting brochure.

**WALL VENT COVERS SPECIFICATIONS  
FIRE RATED APPROVED**

The wall vent covers have stainless steel screening type 316 and meets the requirements for stainless steel screening under the Australian Standard.

AS 3959-2009 Construction of Buildings in Bushfire prone areas.

▲ TWIN MOTOR