



Color Variants

VG415211AU

Included accessories

1 x WOK attachment ring.

Optional accessories

WP400001

Wok pan made of multiple-layer material

Installation Accessories

VA420000

Connection strip for combination with other Vario appliances of the 400 series for flush installation

VA420010

Connection strip for combination with other Vario appliances of the 400 series for surface mounting

VA440010

Stainless steel cover with mounting strip

Product Features

Product name / series name

Vario/Domino gas hob

Construction type

CONSTR_TYPE.Built-in

Energy source

Gas

Total number of cooktop burners

1

Required cutout size (HxWxD) (mm)

134 x 360 x 492

Width of the product (mm)

380

Overall appliance dimensions (HxWxD) (mm)

134 x 380 x 520

Product packaging dimensions (HxWxD) (mm)

300 x 500 x 600

Net weight (kg)

14.753

Gross weight (kg)

16.8

Residual heat indicator

Location of control panel

External control

Basic surface material

brushed stainless steel

Color of surface

Stainless steel, Stainless steel

Color of frame

Stainless steel, Stainless steel

Approval certificates

Australia Standards, Australia Standards

Power cord length (cm)

140

Consumption and connection features

Watts (W)

15

Gas connection rating (W)

5000

Current (A)

2

Volts (V)

220-240

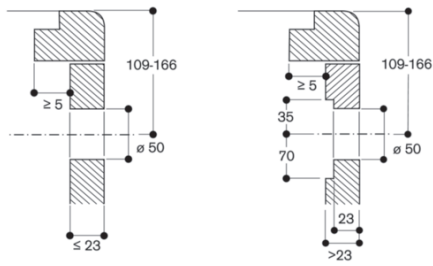
Frequency (Hz)

50; 60

2020-03-31

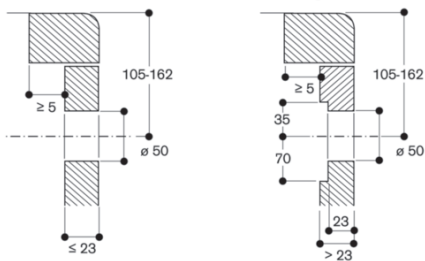
Page 1

Control knob installation, flush installation



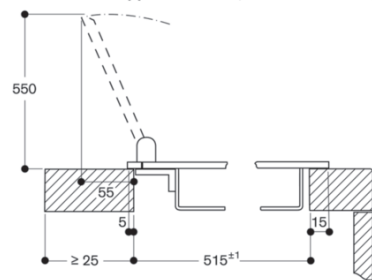
measurements in mm

Control knob installation, surface mounting



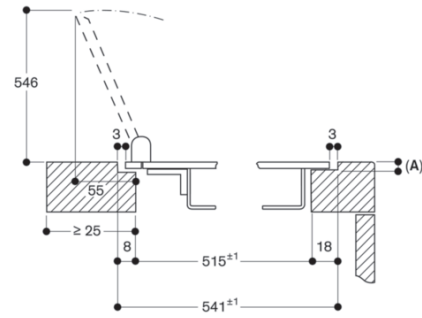
measurements in mm

Installation with appliance cover, surface mounting



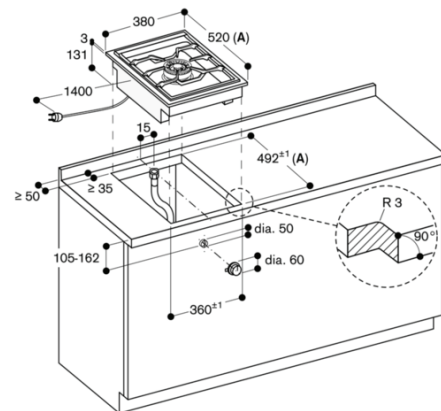
Measurements in mm

Installation with appliance cover, flush mounting



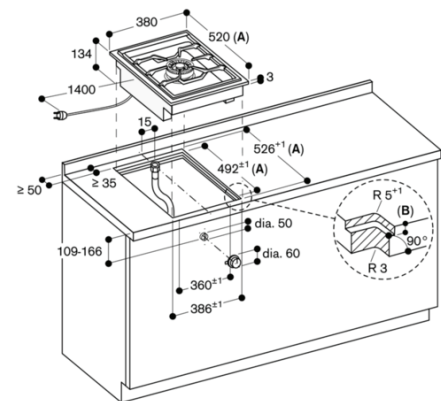
A: 3.5^{±0.5}

Measurements in mm



A: When installing with appliance cover consider the deeper cut-out (observe separate planning notes)

Measurements in mm

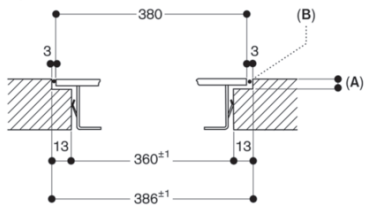


A: When installing with appliance cover consider the deeper cut-out (observe separate planning notes)

B: 3.5^{±0.5}

Measurements in mm

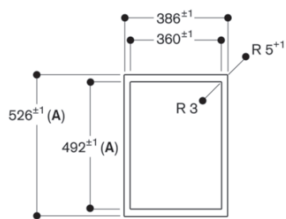
Longitudinal section



A: $3.5^{0.5}$
B: Fill with silicone

Measurements in mm

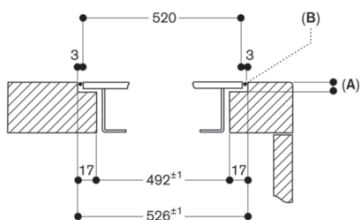
View from above



A: When installing with appliance cover consider the deeper cut-out (observe separate planning notes)

Measurements in mm

Cross-section

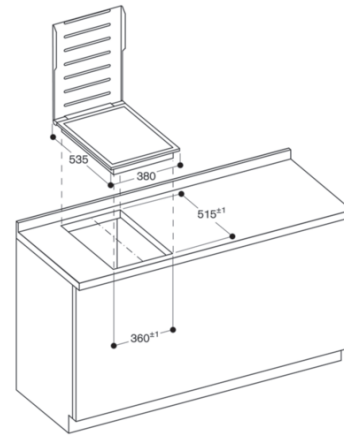


A: $3.5^{0.5}$
B: Fill with silicone

When installing with appliance cover, pay attention to the deeper cut-out and the front and rear groove width.

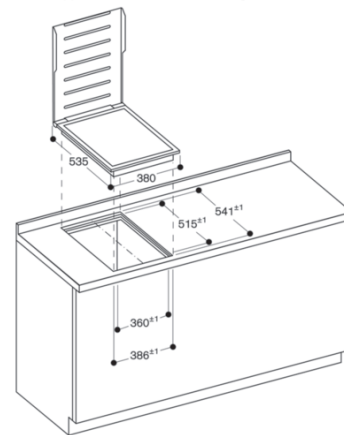
Measurements in mm

Installation with appliance cover, surface mounting



Measurements in mm

Installation with appliance cover, flush mounting



Measurements in mm