



Color Variants
VG425211AU

Installation Accessories
VA420000
Connection strip for combination with other Vario appliances of the 400 series for flush installation
VA420010
Connection strip for combination with other Vario appliances of the 400 series for surface mounting
VA440010
Stainless steel cover with mounting strip

Product Features

Product name / series name
Vario/Domino gas hob

Construction type
CONSTR_TYPE.Built-in

Energy source
Gas

Total number of cooktop burners
2

Required cutout size (HxWxD) (mm)
134 x 360 x 492

Width of the product (mm)
380

Overall appliance dimensions (HxWxD) (mm)
134 x 380 x 520

Product packaging dimensions (HxWxD) (mm)
300 x 500 x 600

Net weight (kg)
13.367

Gross weight (kg)
15.4

Residual heat indicator

Location of control panel
External control

Basic surface material
brushed stainless steel

Color of surface
Stainless steel, Stainless steel

Color of frame
Stainless steel, Stainless steel

Approval certificates
Australia Standards, Australia Standards

Power cord length (cm)
140

Consumption and connection features

Watts (W)
15

Gas connection rating (W)
5700

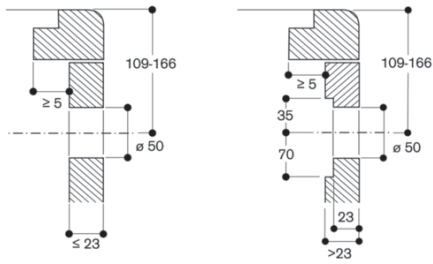
Current (A)
2

Volts (V)
220-240

Frequency (Hz)
50; 60

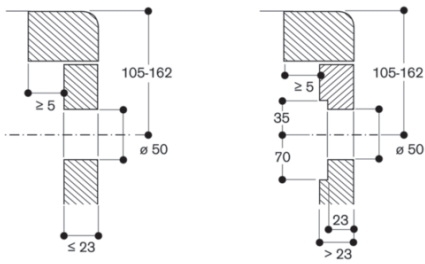
2020-03-31
Page 1

Control knob installation, flush installation



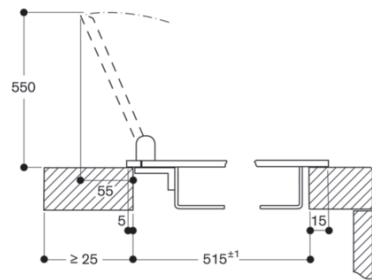
measurements in mm

Control knob installation, surface mounting



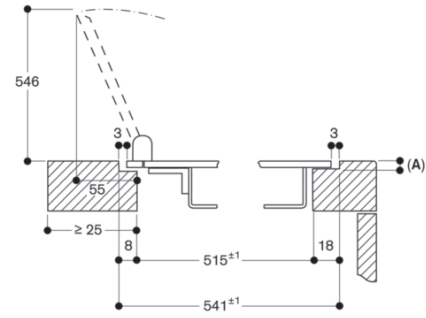
measurements in mm

Installation with appliance cover, surface mounting



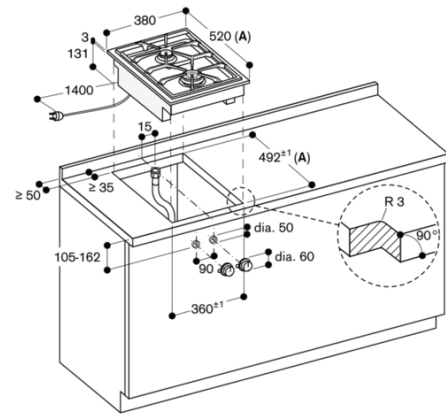
Measurements in mm

Installation with appliance cover, flush mounting



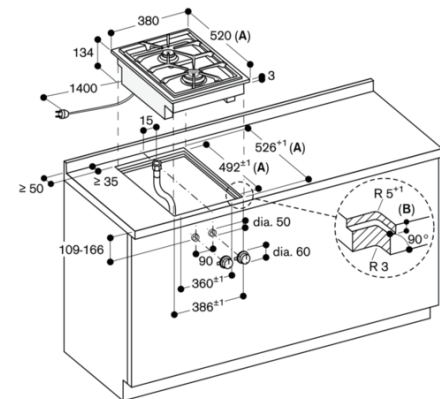
A: 3.5^{±0.5}

Measurements in mm



A: When installing with appliance cover consider the deeper cut-out (observe separate planning notes)

Measurements in mm

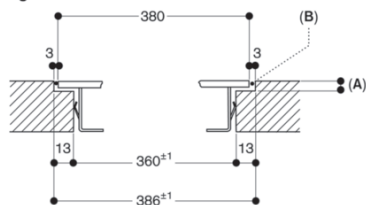


A: When installing with appliance cover consider the deeper cut-out (observe separate planning notes)

B: 3.5^{±0.5}

Measurements in mm

Longitudinal section

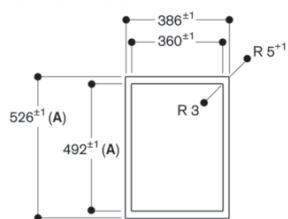


A: 3.5^{±0.5}

B: Fill with silicone

Measurements in mm

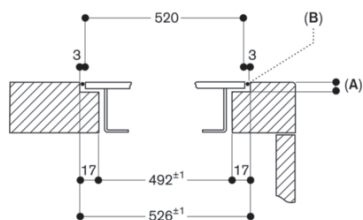
View from above



A: When installing with appliance cover consider the deeper cut-out (observe separate planning notes)

Measurements in mm

Cross-section



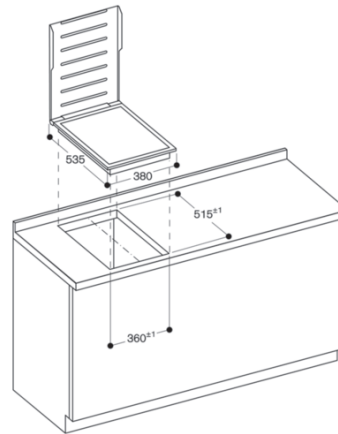
A: 3.5^{±0.5}

B: Fill with silicone

When installing with appliance cover, pay attention to the deeper cut-out and the front and rear groove width.

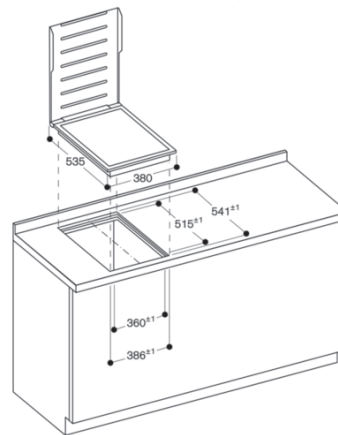
Measurements in mm

Installation with appliance cover, surface mounting



Measurements in mm

Installation with appliance cover, flush mounting



Measurements in mm