



#### Color Variants

VI232120

#### Included accessories

1 x glass scraper.

#### Optional accessories

GP900001  
Stainless steel frying sensor pan.  
GP900002  
Stainless steel frying sensor pan.  
GP900003  
Stainless steel frying sensor pan.  
VD200020  
Black appliance cover

#### Installation Accessories

VV200010  
Stainless steel connection strip  
for combination with further Vario  
cooktops  
VV200020  
Black connection strip for combination  
with other Vario appliances of the 200  
series

#### Product Features

##### Product name / series name

Vario/Domino cooking zone cera

##### Construction type

CONSTR\_TYPE.Built-in

##### Energy source

Electric

##### Total number of cooktop burners

2

##### Required cutout size (HxWxD) (mm)

50 x 268 x 492

##### Width of the product (mm)

288

##### Overall appliance dimensions (HxWxD) (mm)

50 x 288 x 512

##### Product packaging dimensions (HxWxD) (mm)

200 x 400 x 600

##### Net weight (kg)

8.615

##### Gross weight (kg)

9.7

##### Residual heat indicator

##### Location of control panel

##### Basic surface material

Ceramic

##### Color of surface

Black, Stainless steel

##### Color of frame

Stainless steel

##### Approval certificates

AENOR, CE

##### Power cord length (cm)

150

#### Consumption and connection features

##### Watts (W)

3700

##### Gas connection rating (W)

Current (A)

##### Volts (V)

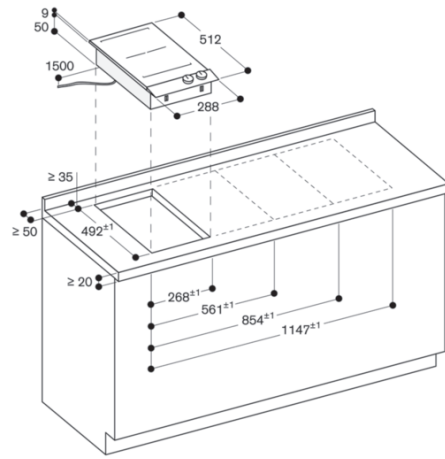
220-240

##### Frequency (Hz)

60; 50

2020-02-23

Page 1



measurements in mm