



**Color Variants**

VI262120

**Included accessories**

1 x glass scraper.

**Optional accessories**

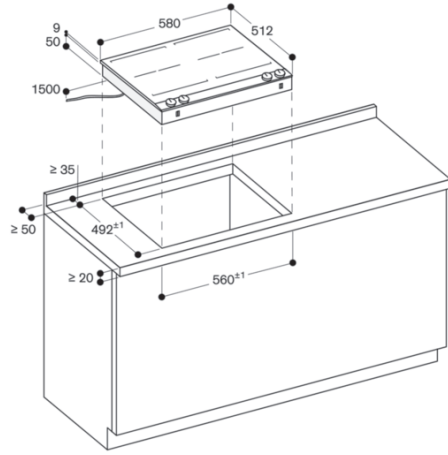
- GP900001  
Stainless steel frying sensor pan.
- GP900002  
Stainless steel frying sensor pan.
- GP900003  
Stainless steel frying sensor pan.

**Installation Accessories**

- VV200010  
Stainless steel connection strip  
for combination with further Vario  
cooktops
- VV200020  
Black connection strip for combination  
with other Vario appliances of the 200  
series

**Product Features**

<b>Product name / series name</b>	Cooking zone ceramic
<b>Construction type</b>	Built-in
<b>Energy source</b>	Electric
<b>Total number of cooktop burners</b>	4
<b>Type of control</b>	
<b>Required cutout size (HxWxD) (mm)</b>	50 x 560-560 x 492-492
<b>Width of the product (mm)</b>	580
<b>Overall appliance dimensions (HxWxD) (mm)</b>	50 x 580 x 512
<b>Product packaging dimensions (HxWxD) (mm)</b>	200 x 690 x 600
<b>Net weight (kg)</b>	16.613
<b>Gross weight (kg)</b>	17.4
<b>Residual heat indicator</b>	Separate
<b>Location of control panel</b>	Cooktop front
<b>Type of external control possibility</b>	
<b>Basic surface material</b>	Ceramic
<b>Color of surface</b>	Black, Stainless steel
<b>Color of frame</b>	Stainless steel
<b>Approval certificates</b>	AENOR, CE
<b>Power cord length (cm)</b>	150
<b>Knob Material</b>	Full metal
<b>Sealed Burners</b>	No
<b>Burners with booster</b>	All
<b>Type of grate</b>	
<b>Total BTU load</b>	
<b>LP Gas Connection Rating (BTU)</b>	
<b>Dimension of 1st heating element (in)</b>	
<b>Power of heating element (kW)</b>	
<b>Power of 1st burner (BTU)</b>	
<b>Dimension of 2nd heating element (in)</b>	
<b>Power of 2nd heating element (kW)</b>	3.3
<b>Power of 2nd burner (BTU)</b>	
<b>Dimension of 3rd heating element (in)</b>	
<b>Power of 3rd heating element (kW)</b>	
<b>Power of 3rd burner (BTU)</b>	
<b>Dimension of 4th heating element (in)</b>	
<b>Power of 4th heating element (kW)</b>	
<b>Power of 4th burner (BTU)</b>	
<b>Dimension of 5th heating element (in)</b>	
<b>Power of 5th heating element (kW)</b>	
<b>Power of 5th burner (BTU)</b>	
<b>Dimension of 6th heating element (in)</b>	
<b>Power of heating element (kW in boost)</b>	
<b>Power of 2nd heating element (kW in boost)</b>	3.7
<b>Power of 3rd heating element (kW in boost)</b>	
<b>Power of 4th heating element (kW in boost)</b>	
<b>Power of 5th heating element (kW in boost)</b>	
<b>Power of 6th heating element (kW in boost)</b>	3.7
<b>Consumption and connection features</b>	
<b>Watts (W)</b>	7400
<b>Gas connection rating (W)</b>	
<b>Current (A)</b>	
<b>Volts (V)</b>	220-240
<b>Frequency (Hz)</b>	50; 60
<b>UPC code</b>	
<b>Variant color</b>	



measurements in mm