



## VK230134

Vario steamer 200 series  
Aluminium control panel  
Width 28 cm

- Can be combined with the cooktops of the Vario 200 series to a harmonic unity
- Generous control panel for comfortable and secure operation
- Steaming in cooktop size
- Exact water temperature control from 45 °C to 95 °C
- Cooking on two levels, without flavour transfer

### Cooking zones

- Water capacity 1 to 6 litres.

### Handling

- Function display.
- Electronic water temperature control from 45 °C to 95 °C, in 5 °C steps.
- Steam cooking level with electronic steam control for pressureless cooking.

### Features

- Automatic boiling point detection.
- Motor-driven water drain valve 1/2".
- Electronic short-term timer up to 90 min.
- Special heating system.

### Safety

- Remaining time display.
- Child lock.
- Operation indicator.
- Automatic shut off.

### Planning notes

- Access to drain in bottom cabinet is required.
- Appliance is intended for fixed water outlet connection, but can be fitted without fixed connection by using the special accessory AG 060.
- Seal the worktop cutout.
- Appliance can be snapped into the worktop from above.
- A minimum clearance of at least 200 mm from adjacent heat-sensitive furniture or contact surfaces must be observed or thermal insulation fitted.
- In case of suspended cabinets a ventilation hood must be installed above the steamer.
- If a cover is fitted, the glass lid must be removed when closing it.
- VK 230 and VF 230 must not be installed directly next to each other.
- In combination with the downdraft ventilation VL 040/041, this must be planned on the left of VK.
- Appliance weight: approx. 11 kg.

### Connection

- Total connected load 2.3 kW.
- Connecting cable 1.7 m without plug.

### Included accessories

2 x cooking insert, 1 x glass cover, 1 x hand grip, 1 x residuary filter, 1 x water drain valve

### Optional accessories

- FK023000 Noodle basket for vario steamer
- GE020010 Cooking insert for Vario Steamer
- GE020020 Cooking insert for Vario Steamer
- VD201034 Aluminium cover series 200

### Alternative colors available

VK230114:Stainless steel

### Technical Data

#### Characteristics

Product name/family : Vario/Domino steam cooker  
Built-in / Free-standing : CONSTR\_TYPE.Built-in  
Energy input : Electric  
Required niche size for installation (HxWxD) : 280 x 268 x 490  
Width of the product (mm) : 288  
Dimensions of the product (mm) : 288.5 x 288 x 523  
Net weight (kg) : 11.000  
Gross weight (kg) : 13.000  
Residual heat indicator : without  
Color of surface : Stainless steel  
Approval certificates : CE, ROSTEST, VDE  
Length electrical supply cord (cm) : 170.0

#### Consumption and connection features

Electrical connection rating (W) : 2300  
Current (A) : 16; 10  
Voltage (V) : 230-240  
Frequency (Hz) : 60; 50

Gaggenu  
VK230134  
Vario steamer series 200 alu

Predecessor:

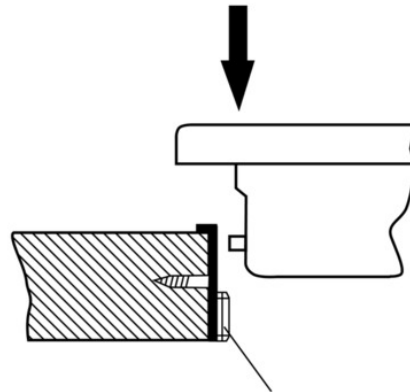
Successor:

EAN code:  
4242006190934

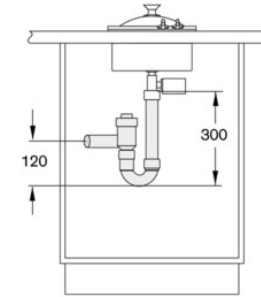
sales programme:

# GAGGENAU

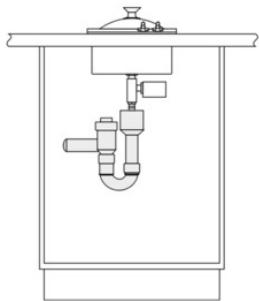
VK230134  
 Vario steamer 200 series  
 Aluminium control panel  
 Width 28 cm



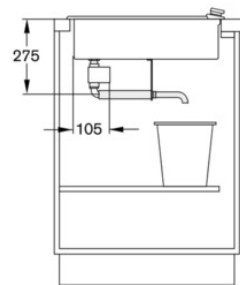
Mounting rail  
 (rear and front)



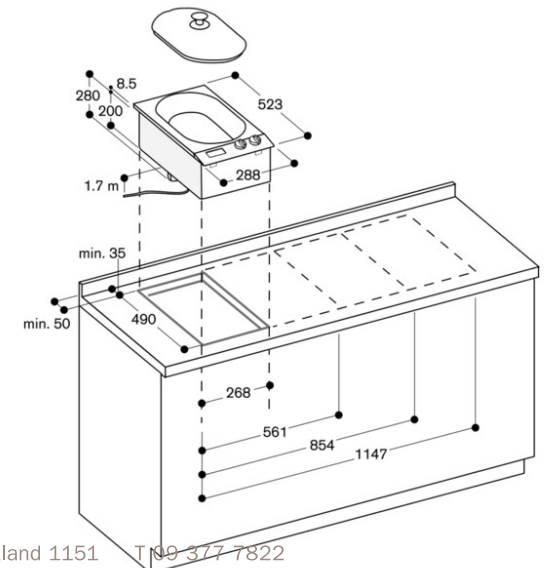
Drainage connection present  
 in the bottom cupboard:  
 Fixed connection without free  
 fall section as per DIN 1986,  
 Part 1.  
 A non-return valve  
 must be installed.  
 Recommendation: AG 050 000  
 Drain installation set.



Drainage connection present  
 in the bottom cupboard:  
 Fixed connection with free fall  
 section as per DIN 1986 Part 1.  
 A non-return valve must be installed.  
 Recommendation:  
 Install a non-return valve.  
 Recommendation: AG 050 000  
 Drain installation set.



Drainage into a water-collecting  
 receptacle (e.g. saucepan).  
 Only possible with AG 060 000  
 Drain installation set.



kouzina

Kouzina Appliances Ltd  
 155 The Strand Parnell

PO Box 137083 Parnell Auckland 1151  
 kouzina.co.nz sales@kouzina.co.nz

T 09 377 7822  
 F 09 377 7824