



**Color Variants**  
VL200120  
Black control panel  
Width 15 cm

**VL200120**  
Vario downdraft ventilation 200 series  
Black control panel  
Width 15 cm  
Air extraction / Air recirculation  
Motorless

**A**

Can be combined with the cooktops of the Vario 200 series to a harmonic unity Highly efficient ventilation system at the cooktop integrated in the worktop Function for automatic, sensor-controlled power adjustment depending on the build-up of cooking vapours Low planning and installation effort Air extraction or air recirculation system

**Output**  
Power levels depend on the remote fan unit.

**Features**  
Control knobs with illuminated ring.  
3 electronically controlled power levels and 1 intensive mode.  
Automatic function with sensor-controlled run-on function.  
Large-scale metal grease filter with high grease absorption.  
Grease filter, dishwasher-safe.  
Grease filter and activated charcoal filter saturation indicator.  
Airflow-optimised interior for efficient air circulation.  
Interval ventilation, 6 min.  
Enamelled ventilation grille, dishwasher-safe.  
Air exhaust bend included in delivery.  
Overflow 250 ml capacity.  
Sound level min/max (intensive) according to EN 61591: 56 / 76 dB(A)

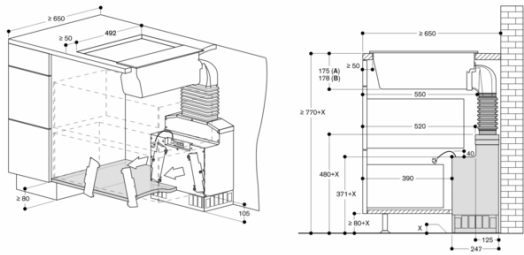
**Planning notes**  
Please refer to spec sheet for recommended configurations of downdraft ventilations and remote fan units and the needed ducting elements. For each VL one remote fan unit is recommended.  
Maximum cooktop width between two VL 60 cm.  
If installed next to gas appliances, the ventilation moulding LS 041 001 is recommended to ensure maximum performance of the cooktop.  
When having installed the ventilation moulding LS 041 001 the wok pan WP 400 001 can not be used.  
When installing a ventilation hood with air extraction mode and a chimney-vented fireplace, the power supply line of the ventilation appliance needs a suitable safety switch.

**Connection**  
Connecting cable 1.7 m between VL and remote fan unit.

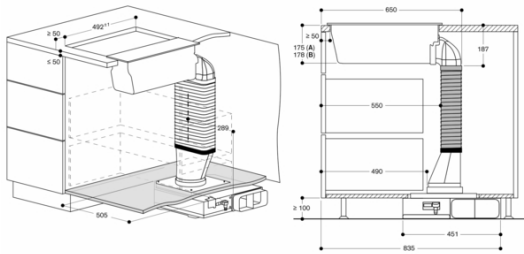
**Characteristics**  
Product name/family  
Color chimney  
Typology  
Downdraft  
Approval certificates  
Australia Standards, CE, Eurasian, G-Mark, VDE  
Length electrical supply cord  
170  
Required niche size for installation (HxWxD)  
175mm x 170.0mm x 492mm  
Height of the chimney  
Height of product, without chimney  
Minimum distance above an electric hob  
Minimum distance above a gas hob  
Net weight  
7.147  
Type of control  
Electronic  
Number of speed settings  
Maximum output air extraction  
550  
Boost position output recirculating  
Maximum output recirculating air  
Boost position air extraction  
Number of lights  
Noise level  
71  
Diameter of air outlet  
Grease filter material  
EAN code  
4242006280604  
Connection Rating  
Fuse protection  
Voltage  
220-240  
Frequency  
60; 50  
Plug type  
Installation typology  
Built-in

**Consumption and connection features**  
2021-10-14  
Page 1

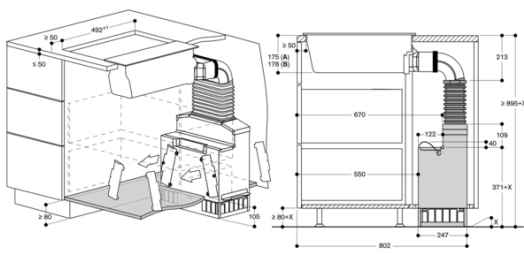
VL200120  
 Vario downdraft ventilation 200 series  
 Black control panel  
 Width 15 cm  
 Air extraction / Air recirculation  
 Motorless  
 2021-10-14  
 Page 2



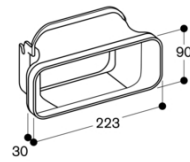
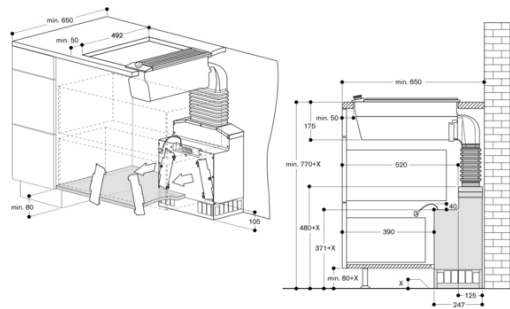
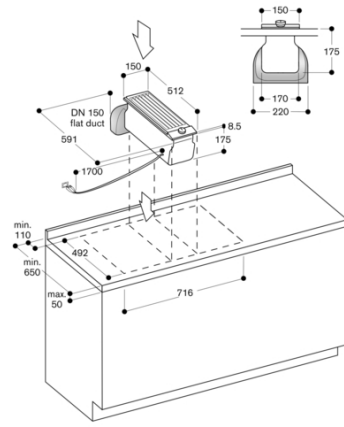
A: Surface mounting  
 B: Flush mounting (only VL414)  
 measurements in mm



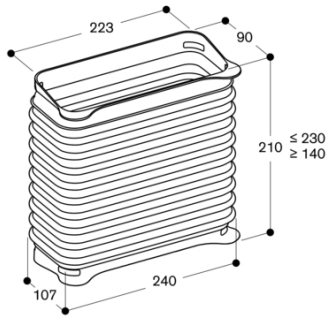
A: Surface mounting  
 B: Flush mounting (only VL414)  
 measurements in mm



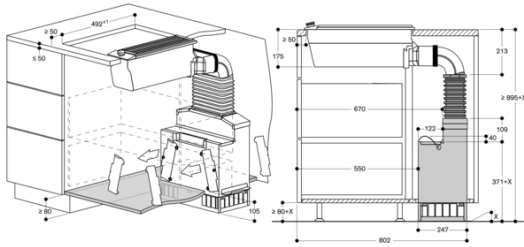
A: Surface mounting  
 B: Flush mounting (only VL414)  
 measurements in mm



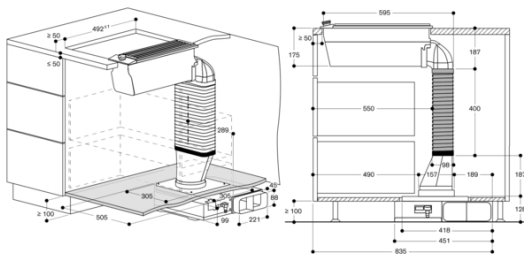
VL200120  
 Vario downdraft ventilation 200 series  
 Black control panel  
 Width 15 cm  
 Air extraction / Air recirculation  
 Motorless  
 2021-10-14  
 Page 3



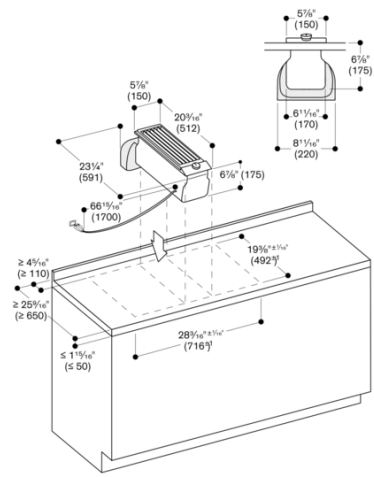
measurements in mm



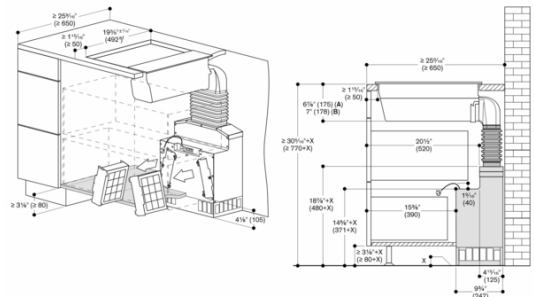
measurements in mm



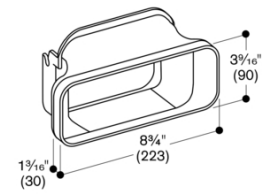
measurements in mm



measurements in inches (mm)



A. Surface mounting  
 B. Push mounting (only VL414)  
 measurements in inches (mm)



measurements in inches (mm)



VL200120

Vario downdraft ventilation 200 series

Black control panel

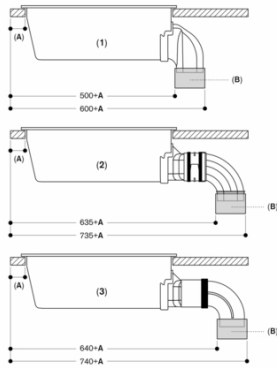
Width 15 cm

Air extraction / Air recirculation

Motorless

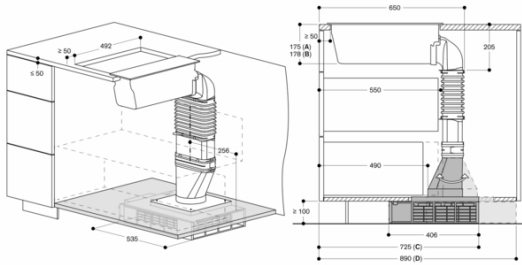
2021-10-14

Page 5

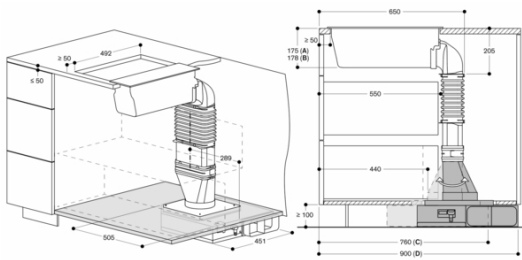


- 1: Direct installation
- 2: Installation with extension for extra deep worktop and plastic ducting:
  - AD 851 041 (connecting piece for extension)
  - AD 857 040 (flat duct connecting piece, plastic)
  - AD 857 030 (flat duct bend, 90°, vertical, plastic)
- 3: Installation with extension for extra deep worktop and metal ducting:
  - AD 851 041 (connecting piece for extension)
  - AD 854 000 (flat duct connecting piece, metal)
  - AD 854 030 (flat duct bend, 90°, vertical, metal)

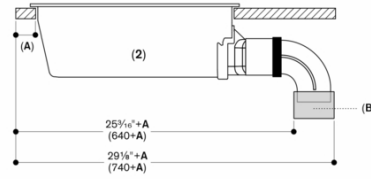
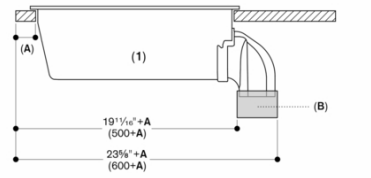
A:  $\geq 50$ mm  
B: Connecting piece  
measurements in mm



A: Surface mounting  
B: Flush mounting (only VL414)  
C: Filter access from the front. Connecting piece flat/round towards the front  
D: Filter access from the back. Connecting piece flat/round towards the back  
measurements in mm



A: Surface mounting  
B: Flush mounting (only VL414)  
C: Exhaust to the left. Flat/round connecting piece towards the front  
D: Exhaust to the right. Flat/round connecting piece towards the back  
measurements in mm



- 1: Direct installation
- 2: Installation with extension for extra deep worktop and metal ducting:
  - AD 851 041 (connecting piece for extension)
  - AD 854 000 (flat duct connecting piece, metal)
  - AD 854 030 (flat duct bend, 90°, vertical, metal)

A:  $\geq 1 1/8$ \" (50)  
B: Connecting piece  
measurements in inches (mm)