



Color Variants

VL414112
stainless steel
Width 15.5 cm



VL414112
Vario downdraft ventilation 400 series
stainless steel
Width 15.5 cm
Air extraction / Air recirculation
Motorless

A+

Can be combined perfectly flush with other Vario appliances of the 400 series. Precision crafting of 3 mm stainless steel. Solid stainless steel control knob. Highly efficient, low noise ventilation system especially with remote fan unit AR 410 110. Function for automatic, sensor-controlled power adjustment depending on the build-up of cooking vapours. Low planning and installation effort.

Output

Power levels depend on the remote fan unit.

Features

Control knob with illuminated ring included in delivery. 3 electronically controlled power levels and 1 intensive mode. Automatic function with sensor-controlled run-on function. Large-scale metal grease filter with high grease absorption. Grease filter, dishwasher-safe. Grease filter and activated charcoal filter saturation indicator. Airflow-optimised interior for efficient air circulation. Interval ventilation, 6 min. Enamelled ventilation grille, dishwasher-safe. Air exhaust bend included in delivery. Overflow 250 ml capacity. Cooktop-based ventilation control (with suitable cooktop). Home network integration for digital services (Home Connect) either via cable connection LAN or wireless via WiFi. The use of the Home Connect functionality depends on the Home Connect services, which are not available in every country. For further information please check: home-connect.com. Sound level min/max (intensive) according to EN 61591: 57 / 76 dB(A).

Planning notes

Matching remote fan units for air recirculation or air extraction mode. Please refer to spec sheet for recommended configurations of downdraft ventilations and remote fan units and the needed ducting elements. For each VL one remote fan unit is recommended. If operated next to gas appliances, the ventilation moulding AA 414 010 is recommended to ensure maximum performance of the cooktop. Appliance can be snapped into the worktop from above. Depending on the type of installation (surface-mounted or flush-mounted), the specific location of the cut-out and the knob positions may vary. If combining several Vario appliances of the 400 series, a connection strip VA 420 must be placed between the appliances. Depending on the type of installation, the corresponding connection strip must be provided. The bearing capacity and stability, in the case of thin worktops in particular, must be supported using suitable substructures. Take into account the appliance weight and additional loads.

Characteristics

Product name/family
Color chimney
Typology
Downdraft
Approval certificates
Australia Standards, CE, Eurasian, G-Mark, Ukraine, VDE
Length electrical supply cord
175
Required niche size for installation (HxWxD)
Height of the chimney
Height of product, without chimney
Minimum distance above an electric hob
Minimum distance above a gas hob
Net weight
7.502
Type of control
Electronic
Number of speed settings
Maximum output air extraction
550
Boost position output recirculating
Maximum output recirculating air
Boost position air extraction
Number of lights
Noise level
71
Diameter of air outlet
150
Grease filter material
EAN code
4242006286019
Connection Rating
10
Fuse protection
Voltage
220-240
Frequency
50; 60
Plug type
Installation typology
Built-in

Consumption and connection features

2021-10-14
Page 1

Additional instructions for flush mounting:

Installation is possible in worktops made of stone, synthetics or solid wood. Heat resistance and watertight sealing of the cut edges must be observed. Concerning other materials please consult the worktop manufacturer.

The groove must be continuous and even, so that uniform placing of the appliance on the gasket is ensured. Do not use discontinuous lining.

The joint width may vary due to size tolerances of the combinations and of the worktop cut-out.

When installing a ventilation hood with air extraction mode and a chimney-vented fireplace, the power supply line of the ventilation appliance needs a suitable safety switch.

Please read additional planning notes on page xx.

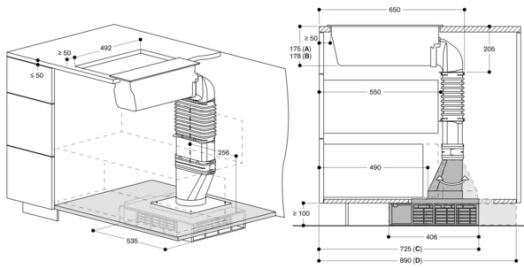
Connection

Connecting cable 1.8 m with plug. Plan a LAN cable.

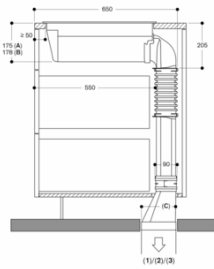
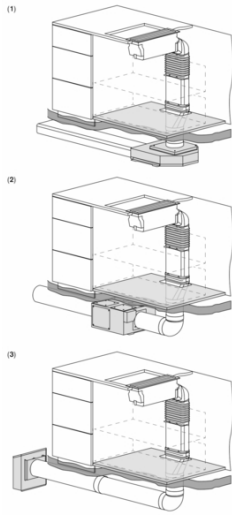
Power consumption standby/display off 0.2 W.

Please check the user manual for how to switch off the WiFi module.

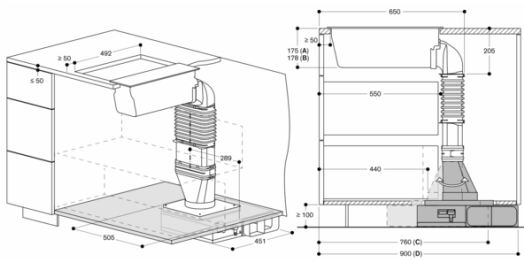
VL414112
Vario downdraft ventilation 400 series
stainless steel
Width 15.5 cm
Air extraction / Air recirculation
Motorless
2021-10-14
Page 2



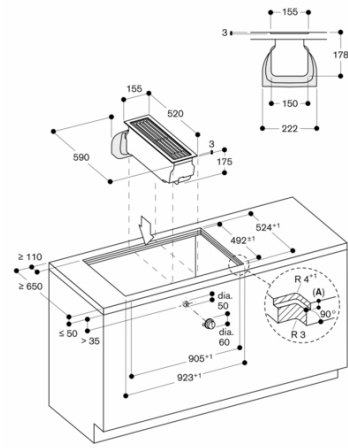
A: Surface mounting
 B: Flush mounting (only VL414)
 C: Filter access from the front. Connecting piece flat/round towards the front
 D: Filter access from the back. Connecting piece flat/round towards the back
 measurements in mm



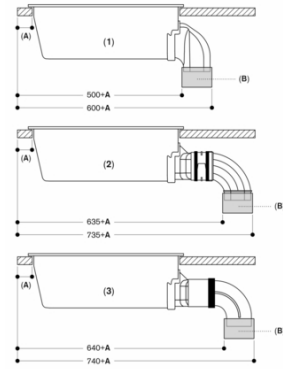
Extraction mode with remote fan unit
 1: AD 403
 2: AD 400
 3: AD 401
 A: Surface mounting
 B: Flush mounting
 C: 15.5
 measurements in mm



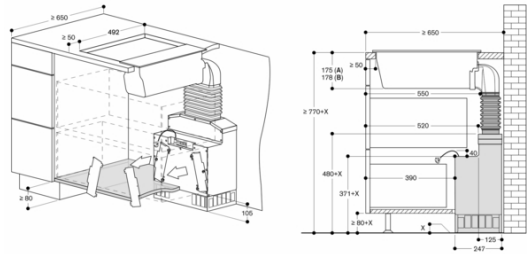
A: Surface mounting
 B: Flush mounting (only VL414)
 C: Exhaust to the left. Flat/round connecting piece towards the front
 D: Exhaust to the right. Flat/round connecting piece towards the back
 measurements in mm



A: 3.5"±
 6.5"± in combinations with frameless induction hobs
 measurements in mm

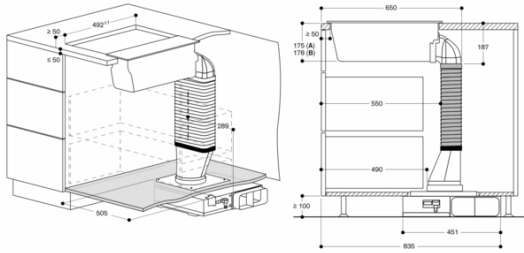


1: Direct installation
 2: Installation with extension for extra deep worktop and plastic ducting:
 - AD B51 041 (connecting piece for extension)
 - AD B57 040 (flat duct connecting piece, plastic)
 - AD B57 030 (flat duct bend, 90°, vertical, plastic)
 3: Installation with extension for extra deep worktop and metal ducting:
 - AD B51 041 (connecting piece for extension)
 - AD B54 000 (flat duct connecting piece, metal)
 - AD B54 030 (flat duct bend, 90°, vertical, metal)
 A: ≥ 50mm
 B: Connecting piece
 measurements in mm

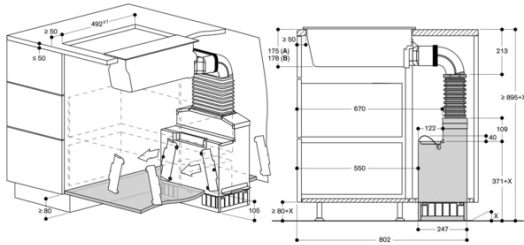


A: Surface mounting
 B: Flush mounting (only VL414)
 measurements in mm

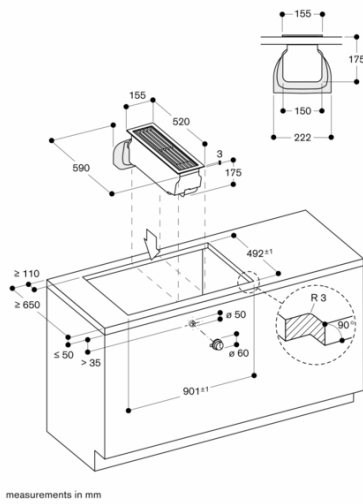
VL414112
 Vario downdraft ventilation 400 series
 stainless steel
 Width 15.5 cm
 Air extraction / Air recirculation
 Motorless
 2021-10-14
 Page 3



A: Surface mounting
 B: Flush mounting (only VL414)
 measurements in mm

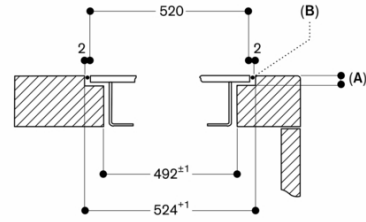


A: Surface mounting
 B: Flush mounting (only VL414)
 measurements in mm



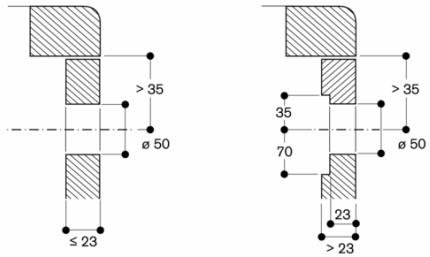
measurements in mm

Cross-section



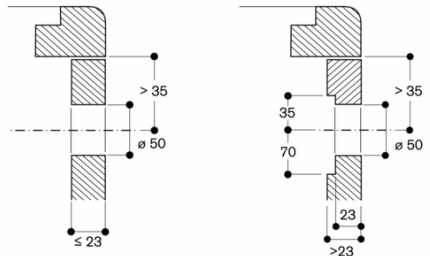
A: 3.5^{0.5}
 B: Fill with silicone
 measurements in mm

Installation of the control knob; surface mounting



measurements in mm

Installation of the control knob; flush installation



measurements in mm