



The Perfect Wine
at any Time

Quality, Design and Innovation



WTes 5972

LIEBHERR



Electronic LCD Display: Intuitive navigation of our touch electronic control system enables tailored storage options. The digital temperature display can be viewed via the UV tinted glass door.



Presentation shelf: The practical shelf of our Vinidor range fulfils both bottle storage and presentation functions, while telescopic rails enable smooth shelf sliding. Bottles can be stored horizontally at the rear.



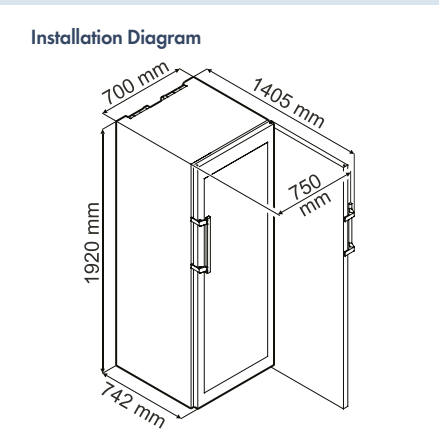
LED lighting: The light in the cooling compartments can be dimmed to give a pleasing ambient light inside the appliance.

Only under perfect conditions can a good wine develop into a really excellent vintage and be guaranteed to maintain its long-term quality. Liebherr's **WTes 5972** multi-temperature wine cabinet offers the ideal solution, with two temperature zones which can be set independently between +5°C and +20°C.

Employing state-of-the-art climate technology, this model ensures the very best conditions for wines to quietly mature and develop their full flavour. An activated charcoal filter¹ protects your finest collection against odour; best changed once every 12 months.

WTes 5972	LED	Wine	Telescopic Rails
Vinidor			

Sound rating dB(A) *	38
Total capacity litre	526
Max No. of Bordeaux bottles (0.75l) **	211
Number of shelves	10
Shelves on telescopic rails	8
Shelf material	Beech wood shelves
Presentation shelf	1
Electronic control	LCD display, touch electronic
Temperature range °C	+5°C to +20°C
Temperature zones	2
Temperature alarm	Visual and audible
Interior light	LED
Door alarm	Audible
Safety thermostat	Yes
Activated charcoal filter	Yes
Door type	Glazed door with stainless steel frame
Integrated lock	Yes
SoftSystem	No
Door hinges	Right, reversible
Product dimensions (H/W/D) cm	192 / 70 / 74.2
Gross / Net weight kg	138 / 125
Voltage V/Hz	220-240 / 50



Activated Charcoal Filter
Part no.: 988129100

* Noise output - according to EN 60704-3
 ** These models are only bound for storing wine. Max. DIN norm bordeaux bottle capacity (0.75 l) as per norm NF H 35-124 (H:300.5 mm, Ø 76.1mm)
¹ Available accessory: Activated Charcoal Filter (Part no. 988129100)

Note: Whilst every effort is made to ensure all specifications and information in this flyer are accurate, Liebherr reserves the right to make changes without notification. Where actual appliance measurements, specifications, and ratings are crucial, we recommend that the actual appliance installation instructions that accompany each appliance be checked. Liebherr will not be liable for any loss.