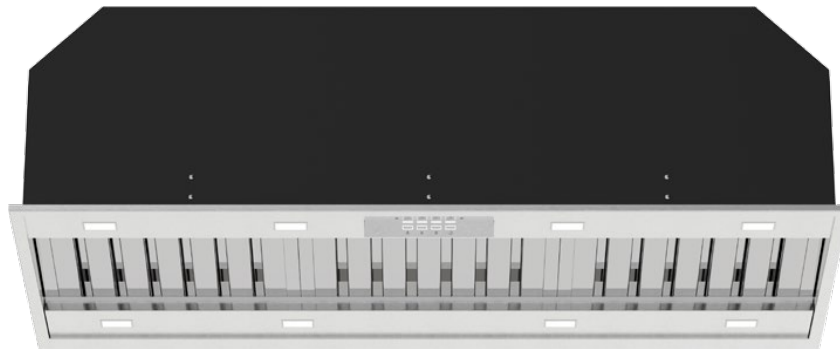


  
PROUDLY AUSTRALIAN OWNED  
DESIGNED & ASSEMBLED IN MELBOURNE

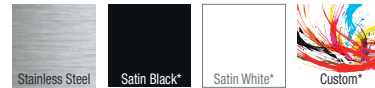
  
PREMIUM GERMAN MADE  
MOTOR SYSTEMS



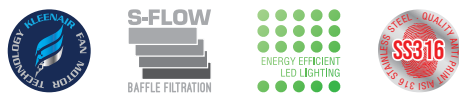
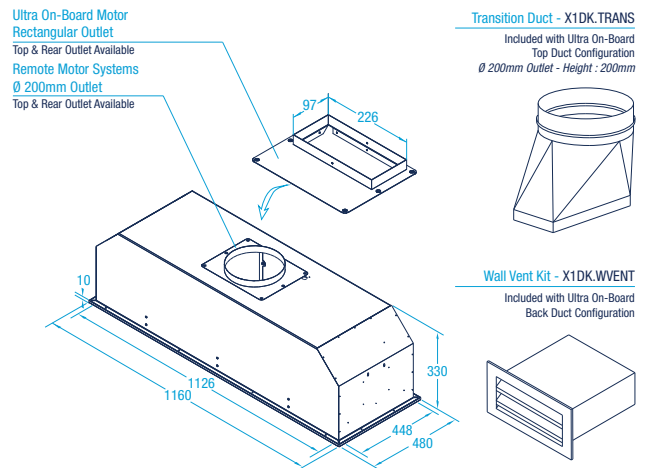
<b>Model Number</b>	X3MM12S
<b>Hood Mounting</b>	Built In (Undermount) - Flush or Proud Install
<b>Cooking Coverage</b>	Suits 100cm - 120cm Cooking Surfaces
<b>Filtration</b>	S-Flow Baffle Filters 3x (H-25) - Dishwasher Safe
<b>Lighting</b>	LED 8x (Warm White 1.0W) - Front & Rear Panel
<b>Finish</b>	<b>AISI316 1.2mm</b> Marine Grade Stainless Steel
<b>Controls</b>	LED Backlit 4 Button <i>mastermind</i> Electronic Control with LED Speed Indicator
<b>Speed Settings</b>	3 Speed + Boost Mode
<b>Timer Function</b>	Programmable Timer (10min Increments) Auto fan shut off after 2-hours of inactivity
<b>Outlet</b>	Top or Back Duct Outlet
<b>Ducting (Remote)</b>	Dia. 200mm Acoustic Flexi Ducting - Five (5) Meter Length (Supplied)
<b>Ducting (On Board)</b>	Optional On Board Motor Ducting Kits Available Ultra Motor - Dia. 200mm (Recommended)
<b>Hood Width</b>	1160mm
<b>Hood Depth</b>	<b>480mm</b>
<b>Hood Height</b>	330mm (Top Duct Outlet - Plus 25mm)
<b>Installation Height</b>	700 - 750mm* (Recommended) 600mm* (Minimum) <small>* Clearance above the highest point of the cooktop to the underside of hood</small>

**Your Hood. Your Colour. Your Way.**

Available Finishes (Stainless Steel Finish Standard)



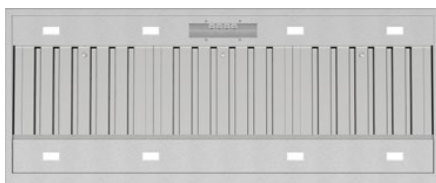
**Dimensioned Drawing**



**Whispair Endurance Warranty**



**Filtration Zone**



**Available Models - Select Your Motor Solution & Optional Finish**

**On Board**  
X3MM12S6.OU (T or /B) Ultra 1,680m³/hr (Top or Back Ducted) SPL: 56.5dB(A) In

**Remote External (Roof or Wall Mounted)**  
X3MM12S5.EP Pro 1,140m³/hr SPL: 49.6dB(A) In / 58.5dB(A) Out  
X3MM12S5.EPP Pro Plus 2,010m³/hr SPL: 56.6dB(A) In / 62.8dB(A) Out

**Remote Inline (Through Wall or Eave)**  
X3MM12S5.IP Pro 1,140m³/hr SPL: 49.6dB(A) In / 58.5dB(A) Out

**Your Hood. Your Colour. Your Way. (Optional Undermount Finish)\***

X1P3.BL Paint Finish - Satin Black  
X1P3.WH Paint Finish - Satin White  
X1P3.CUS Paint Finish - Custom Colour

\*Additional charges apply

SPL - Nominal Sound Pressure Level on Boost (Max) Speed