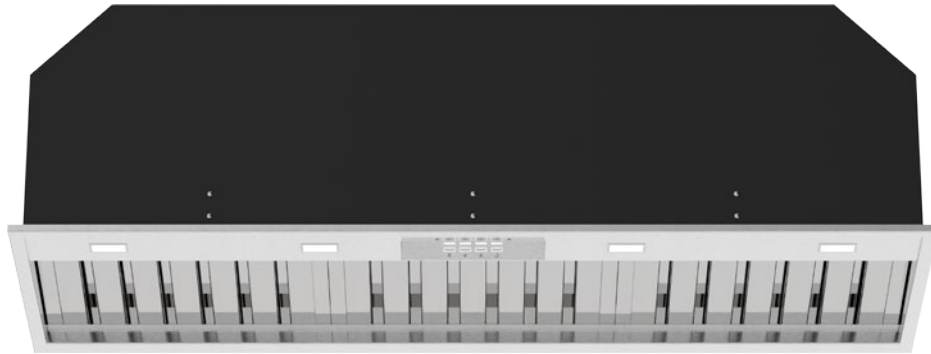




PROUDLY AUSTRALIAN OWNED
DESIGNED & ASSEMBLED IN MELBOURNE



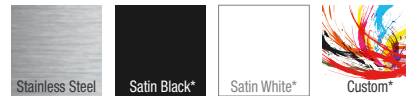
PREMIUM GERMAN MADE
MOTOR SYSTEMS



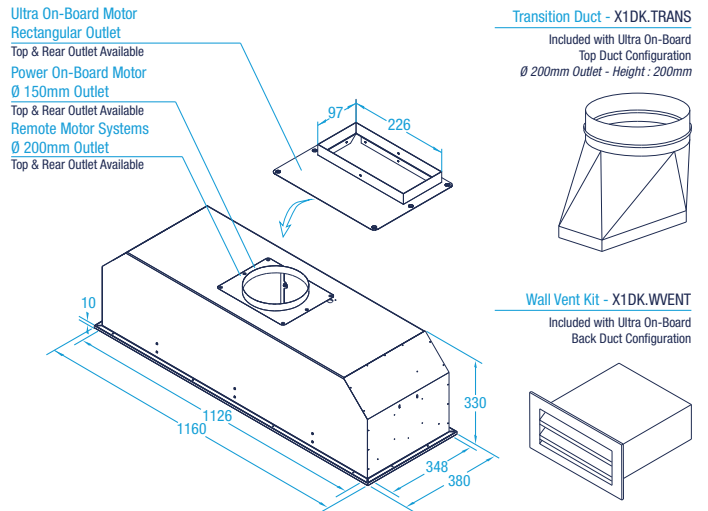
- Model Number** X3MD12S
- Hood Mounting** Built In (Undermount) - Flush or Proud Install
- Cooking Coverage** Suits 100cm - 120cm Cooking Surfaces
- Filtration** S-Flow Baffle Filters 3x (H-25) - Dishwasher Safe
- Lighting** LED 4x (Warm White 1.0W) - Front Panel
- Finish** **AISI304 1.2mm** Food Grade Stainless Steel
- Controls** LED Backlit 4 Button *mastermind* Electronic Control with LED Speed Indicator
- Speed Settings** 3 Speed + Boost Mode
- Timer Function** Programmable Timer (10min Increments)
Auto fan shut off after 2-hours of inactivity
- Outlet** Top or Back Duct Outlet
- Ducting (Remote)** Dia. 200mm Acoustic Flexi Ducting - Five (5) Meter Length (Supplied)
- Ducting (On Board)** Optional On Board Motor Ducting Kits Available
Ultra Motor - Dia. 200mm (Recommended)
Power Motor - Dia. 150mm (Recommended)
- Hood Width** 1160mm
- Hood Depth** **380mm**
- Hood Height** 330mm (Top Duct Outlet - Plus 25mm)
- Installation Height** 700 - 750mm* (Recommended)
600mm* (Minimum)
* Clearance above the highest point of the cooktop to the underside of hood

Your Hood. Your Colour. Your Way.

Available Finishes (Stainless Steel Finish Standard)



Dimensioned Drawing



Available Models - Select Your Motor Solution & Optional Finish

- On Board**
X3MD12S6.0U (/T or /B) Ultra 1,680m³/hr (Top or Back Ducted) SPL: 56.5dB(A) In
- Remote External (Roof or Wall Mounted)**
X3MD12S5.EP Pro 1,140m³/hr SPL: 49.6dB(A) In / 58.5dB(A) Out
X3MD12S5.EPP Pro Plus 2,010m³/hr SPL: 56.6dB(A) In / 62.8dB(A) Out
- Remote Inline (Through Wall or Eave)**
X3MD12S5.IP Pro 1,140m³/hr SPL: 49.6dB(A) In / 58.5dB(A) Out
- Your Hood. Your Colour. Your Way. (Optional Undermount Finish)***
X1P3.BL Paint Finish - Satin Black
X1P3.WH Paint Finish - Satin White
X1P3.CUS Paint Finish - Custom Colour
**Additional charges apply*

SPL - Nominal Sound Pressure Level on Boost (Max) Speed



Whispair Endurance Warranty



Filtration Zone

