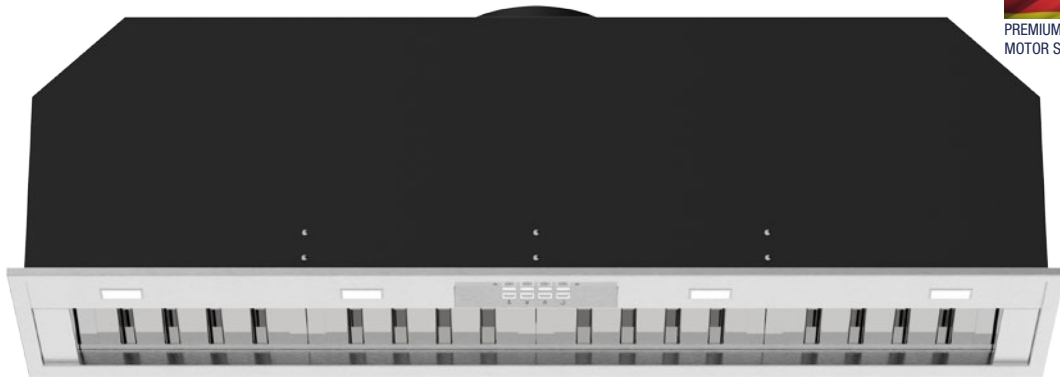




PROUDLY AUSTRALIAN OWNED
DESIGNED & ASSEMBLED IN MELBOURNE



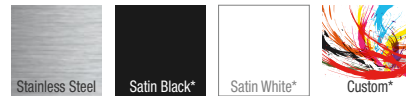
PREMIUM GERMAN MADE
MOTOR SYSTEMS



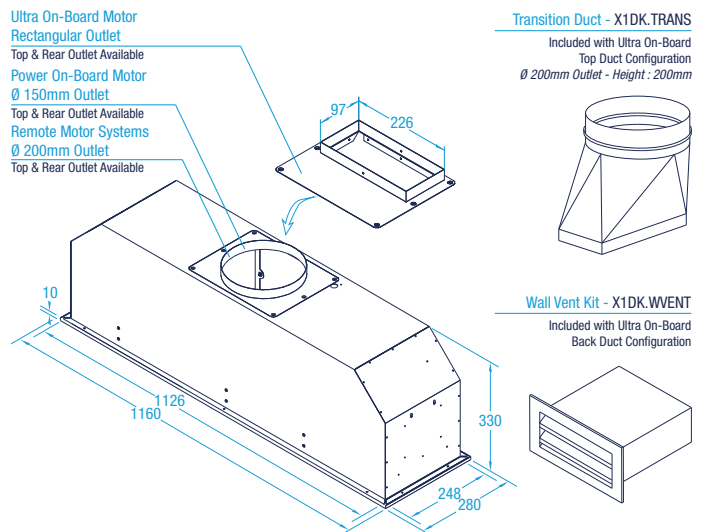
- Model Number** X3M12S
- Hood Mounting** Built In (Undermount) - Flush or Proud Install
- Cooking Coverage** Suits 100cm - 120cm Cooking Surfaces
- Filtration** S-Flow Baffle Filters 4x (H-25) - Dishwasher Safe
- Lighting** LED 4x (Warm White 1.0W) - Front Panel
- Finish** **AISI304 1.2mm** Food Grade Stainless Steel
- Controls** LED Backlit 4 Button *mastermind* Electronic Control with LED Speed Indicator
- Speed Settings** 3 Speed + Boost Mode
- Timer Function** Programmable Timer (10min Increments)
Auto fan shut off after 2-hours of inactivity
- Outlet** Top or Back Duct Outlet
- Ducting (Remote)** Dia. 200mm Acoustic Flexi Ducting - Five (5) Meter Length (Supplied)
- Ducting (On Board)** Optional On Board Motor Ducting Kits Available
Ultra Motor - Dia. 200mm (Recommended)
Power Motor - Dia. 150mm (Recommended)
- Hood Width** 1160mm
- Hood Depth** 280mm
- Hood Height** 330mm (Top Duct Outlet - Plus 25mm)
- Installation Height** 700 - 750mm* (Recommended)
600mm* (Minimum)
* Clearance above the highest point of the cooktop to the underside of hood

Your Hood. Your Colour. Your Way.

Available Finishes (Stainless Steel Finish Standard)



Dimensioned Drawing



Whispair Endurance Warranty



5 YEAR WARRANTY
COMPONENTS PARTS & LABOUR

10 YEAR WARRANTY
REPLACEMENT PARTS & LABOUR

LIFETIME
REPLACEMENT PARTS WARRANTY

Filtration Zone



Available Models - Select Your Motor Solution & Optional Finish

On Board

| | | |
|--------------------|--|-------------------|
| X3M12S5.OP (T / B) | Power 1,020m ³ /hr (Top or Back Ducted) | SPL: 53.9dB(A) In |
| X3M12S6.OU (T / B) | Ultra 1,680m ³ /hr (Top or Back Ducted) | SPL: 56.5dB(A) In |

Remote External (Roof or Wall Mounted)

| | | |
|-------------|----------------------------------|-----------------------------------|
| X3M12S5.EL | Lite 800m ³ /hr | SPL: 39.3dB(A) In / 52.7dB(A) Out |
| X3M12S5.EP | Pro 1,140m ³ /hr | SPL: 49.6dB(A) In / 58.5dB(A) Out |
| X3M12S5.EPP | Pro Plus 2,010m ³ /hr | SPL: 56.6dB(A) In / 62.8dB(A) Out |

Remote Inline (Through Wall or Eave)

| | | |
|------------|-----------------------------|-----------------------------------|
| X3M12S5.IL | Lite 800m ³ /hr | SPL: 39.3dB(A) In / 52.7dB(A) Out |
| X3M12S5.IP | Pro 1,140m ³ /hr | SPL: 49.6dB(A) In / 58.5dB(A) Out |

*Your Hood. Your Colour. Your Way. (Optional Undermount Finish)**

| | |
|----------|------------------------------|
| X1P3.BL | Paint Finish - Satin Black |
| X1P3.WH | Paint Finish - Satin White |
| X1P3.CUS | Paint Finish - Custom Colour |

*Additional charges apply

SPL - Nominal Sound Pressure Level on Boost (Max) Speed