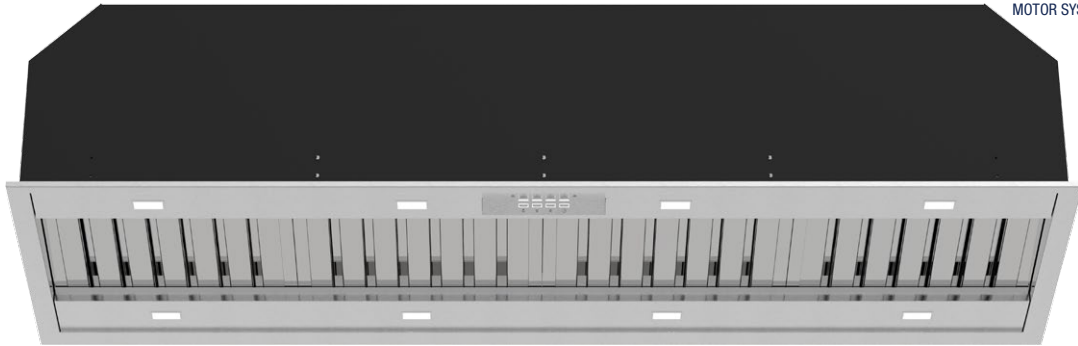




PROUDLY AUSTRALIAN OWNED
DESIGNED & ASSEMBLED IN MELBOURNE



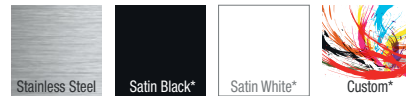
PREMIUM GERMAN MADE
MOTOR SYSTEMS



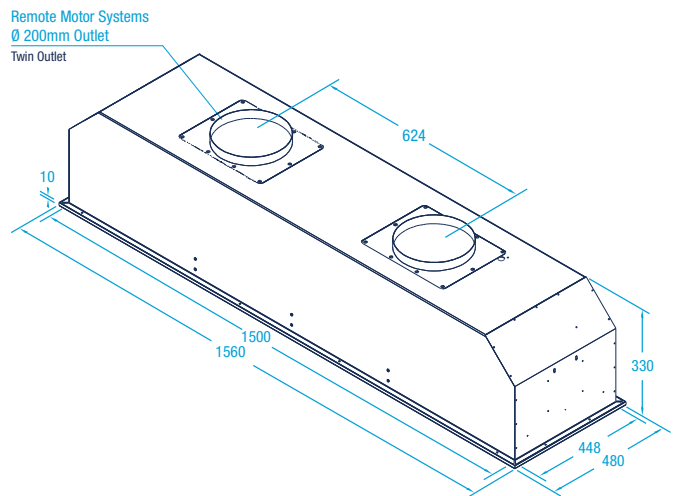
Model Number	X3MM16S
Hood Mounting	Built In (Undermount) - Flush or Proud Install
Cooking Coverage	Suits 120cm - 170cm Cooking Surfaces
Filtration	S-Flow Baffle Filters 4x (H-25) - Dishwasher Safe
Lighting	LED 8x (Warm White 1.0W) - Front & Rear Panel
Finish	AISI316 1.2mm Marine Grade Stainless Steel
Controls	LED Backlit 4 Button <i>mastermind</i> Electronic Control with LED Speed Indicator
Speed Settings	3 Speed + Boost Mode
Timer Function	Programmable Timer (10min Increments) Auto fan shut off after 2-hours of inactivity
Outlet	"Twin" Top or Back Duct Outlets
Ducting (Remote)	Dia. 200mm Acoustic Flexi Ducting - Five (5) Meter Length (Supplied)
Ducting (On Board)	Optional On Board Motor Ducting Kits Available Ultra Motor - Dia. 200mm (Recommended)
Hood Width	1560mm
Hood Depth	480mm
Hood Height	330mm (Top Duct Outlet - Plus 25mm)
Installation Height	700 - 750mm* (Recommended) 600mm* (Minimum) <small>* Clearance above the highest point of the cooktop to the underside of hood</small>

Your Hood. Your Colour. Your Way.

Available Finishes (Stainless Steel Finish Standard)



Dimensioned Drawing



Available Models - Select Your Motor Solution & Optional Finish

On Board
X3MM16S6.20U (T or /B) "Twin" Ultra 1,680m³/hr (Top or Back Ducted)
SPL: 56.5dB(A) In

Remote External (Roof or Wall Mounted)
X3MM16S5.2EP "Twin" Pro 1,140m³/hr SPL: 49.6dB(A) In / 58.5dB(A) Out
X3MM16S5.2EPP "Twin" Pro Plus 2,010m³/hr SPL: 56.6dB(A) In / 62.8dB(A) Out

Remote Inline (Through Wall or Eave)
X3MM16S5.2IP "Twin" Pro 1,140m³/hr SPL: 49.6dB(A) In / 58.5dB(A) Out

Your Hood. Your Colour. Your Way. (Optional Undermount Finish)*

X1P3.BL Paint Finish - Satin Black
X1P3.WH Paint Finish - Satin White
X1P3.CUS Paint Finish - Custom Colour
**Additional charges apply*

SPL - Nominal Sound Pressure Level on Boost (Max) Speed



Whispair Endurance Warranty



5 YEAR WARRANTY
COMPONENT PARTS & LABOR

10 YEAR WARRANTY
REPLACEMENT MOTOR PARTS

LIFETIME WARRANTY
REPLACEMENT PARTS WARRANTY

Filtration Zone

