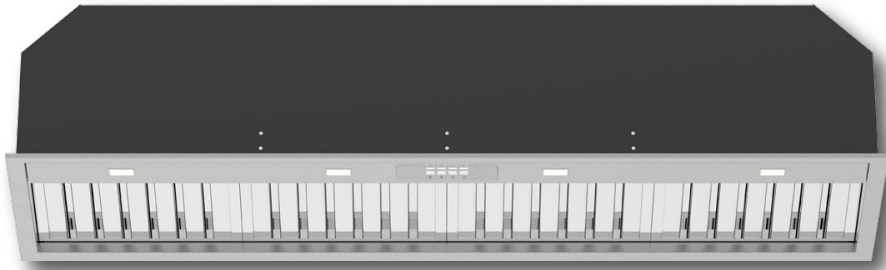


MONTE CARLO 160 SUPER DEEP

SPECIAL ORDER



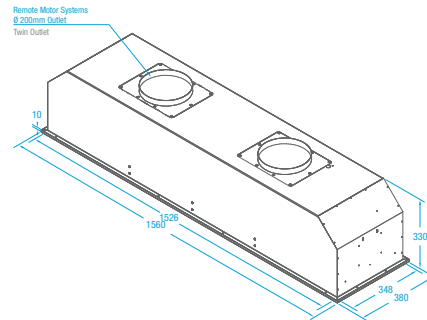
Product Features

Hood Mounting	Built In (Under Mount)
Cooking Coverage	Suits 120cm - 170cm Cooking Surfaces
Filtration	S-Flow Baffle Filters 4x (H-25) - Dishwasher Safe
Lighting	LED 4x (1.0W)
Finish	AISI304 1.2mm High Grade Stainless Steel
Controls	LED Backlit 4 Button <i>mastermind</i> Electronic Control with LED Speed Indicator
Speed Settings	3 Speed + Boost Mode
Timer Function	Programmable Timer (10min Increments) + Auto Shut Off After 2Hrs Of Inactivity
Ducting	200mm Acoustic Flexi Ducting - Five (5) Meter Length (2x Supplied)
Hood Width	1560mm
Hood Depth	380mm
Hood Height	330mm (Plus 25mm Top Outlet)

Filtration Zone



Dimensioned Drawing



Model / Extraction Unit Selection

X3MD16SS.2IP	S	Built In Hood	"Twin" KleenAir Pro Remote Fan Solution - 1140 m³/hr	Remote Inline Motor System
X3MD16SS.2EP	S	Built In Hood	"Twin" KleenAir Pro Remote Fan Solution - 1140 m³/hr	Remote External (Roof or Wall Mounted) Motor System
X3MD16SS.2EPP	S	Built In Hood	"Twin" KleenAir Pro Plus Remote Fan Solution - 2010 m³/hr	Remote External (Roof or Wall Mounted) Motor System

S Special Order - Delivery Time Approx. 8 weeks from Order.

WHISPAIR COMBINES PREMIUM EXTRACTION AND LOW NOISE LEVELS.



WALL HUNG CANOPY HOODS

whispair

A I R E N G I N E E R E D