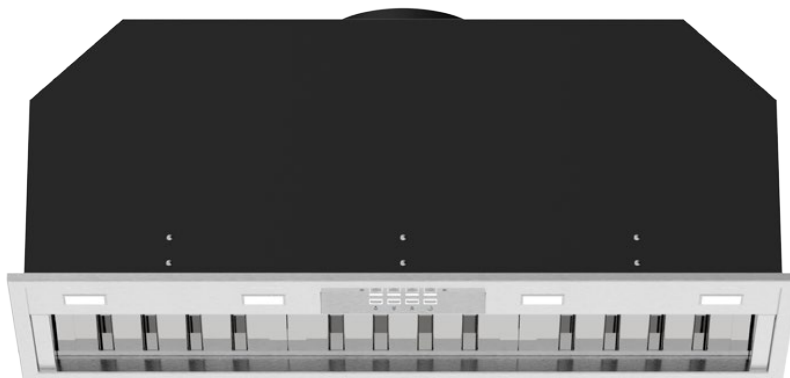




PROUDLY AUSTRALIAN OWNED  
DESIGNED & ASSEMBLED IN MELBOURNE



PREMIUM GERMAN MADE  
MOTOR SYSTEMS



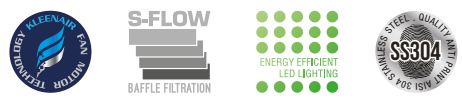
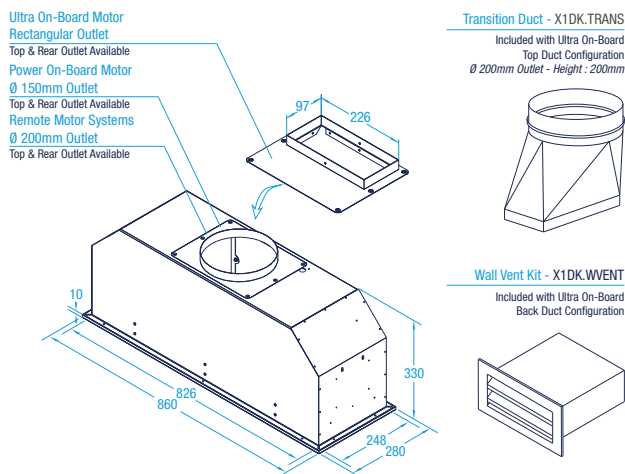
|                            |  |
|----------------------------|--|
| <b>Model Number</b>        | X3M09S   |
| <b>Hood Mounting</b>       | Built In (Undermount) - Flush or Proud Install   |
| <b>Cooking Coverage</b>    | Suits 75cm - 100cm Cooking Surfaces  |
| <b>Filtration</b>          | S-Flow Baffle Filters 3x (H-25) - Dishwasher Safe  |
| <b>Lighting</b>            | LED 4x (Warm White 1.0W) - Front Panel   |
| <b>Finish</b>              | <b>AISI304 1.2mm</b> Food Grade Stainless Steel  |
| <b>Controls</b>            | LED Backlit 4 Button <i>mastermind</i> Electronic Control with LED Speed Indicator   |
| <b>Speed Settings</b>      | 3 Speed + Boost Mode   |
| <b>Timer Function</b>      | Programmable Timer (10min Increments)<br>Auto fan shut off after 2-hours of inactivity   |
| <b>Outlet</b>              | Top or Back Duct Outlet  |
| <b>Ducting (Remote)</b>    | Dia. 200mm Acoustic Flexi Ducting - Five (5) Meter Length (Supplied)   |
| <b>Ducting (On Board)</b>  | Optional On Board Motor Ducting Kits Available<br>Ultra Motor - Dia. 200mm (Recommended)<br>Power Motor - Dia. 150mm (Recommended)           |
| <b>Hood Width</b>          | 860mm  |
| <b>Hood Depth</b>          | 280mm  |
| <b>Hood Height</b>         | 330mm (Top Duct Outlet - Plus 25mm)  |
| <b>Installation Height</b> | 700 - 750mm* (Recommended)<br>600mm* (Minimum)<br><small>* Clearance above the highest point of the cooktop to the underside of hood</small> |

**Your Hood. Your Colour. Your Way.**

Available Finishes (Stainless Steel Finish Standard)



**Dimensioned Drawing**



**Whispair Endurance Warranty**



**Filtration Zone**



**Available Models - Select Your Motor Solution & Optional Finish**

|   |                                       |                                   |
|---|---------------------------------------|-----------------------------------|
| <b>On Board</b>                               |                                       |                                   |
| X3M09S5.OP (T or /B)                          | Power 1,020m³/hr (Top or Back Ducted) | SPL: 53.9dB(A) In                 |
| X3M09S6.OU (T or /B)                          | Ultra 1,680m³/hr (Top or Back Ducted) | SPL: 56.5dB(A) In                 |
| <b>Remote External (Roof or Wall Mounted)</b> |                                       |                                   |
| X3M09S5.EL                                    | Lite 800m³/hr                         | SPL: 39.3dB(A) In / 52.7dB(A) Out |
| X3M09S5.EP                                    | Pro 1,140m³/hr                        | SPL: 49.6dB(A) In / 58.5dB(A) Out |
| X3M09S5.EPP                                   | Pro Plus 2,010m³/hr                   | SPL: 56.6dB(A) In / 62.8dB(A) Out |
| <b>Remote Inline (Through Wall or Eave)</b>   |                                       |                                   |
| X3M09S5.IL                                    | Lite 800m³/hr                         | SPL: 39.3dB(A) In / 52.7dB(A) Out |
| X3M09S5.IP                                    | Pro 1,140m³/hr                        | SPL: 49.6dB(A) In / 58.5dB(A) Out |

*Your Hood. Your Colour. Your Way. (Optional Undermount Finish)\**

|          |                              |
|----------|------------------------------|
| X1P3.BL  | Paint Finish - Satin Black   |
| X1P3.WH  | Paint Finish - Satin White   |
| X1P3.CUS | Paint Finish - Custom Colour |

\*Additional charges apply

SPL - Nominal Sound Pressure Level on Boost (Max) Speed