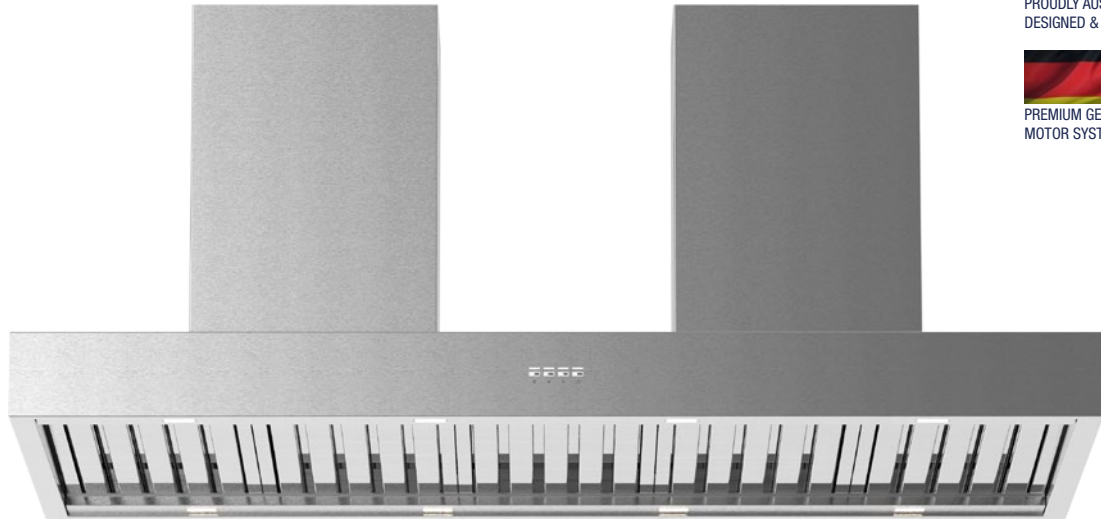




PROUDLY AUSTRALIAN OWNED  
DESIGNED & ASSEMBLED IN MELBOURNE



PREMIUM GERMAN MADE  
MOTOR SYSTEMS



**Product Detail**

<b>Model Number</b>	X5N15S
<b>Hood Mounting</b>	Wall Mounted Alfresco Canopy
<b>Cooking Coverage</b>	Suits 120cm - 150cm Cooking Surfaces
<b>Filtration</b>	S-Flow Baffle Filters 5x (H-25) - Dishwasher Safe
<b>Lighting</b>	LED 8x (Warm White 1.0W) - Front & Rear Panels
<b>Finish</b>	<b>AISI316 1.0mm</b> Marine Grade Stainless Steel
<b>Chassis</b>	Triple Layer - Insulated with Sound Deadening Foam
<b>Controls</b>	LED Backlit 4 Button <i>mastermind</i> Electronic Control with LED Speed Indicator with Remote Controller
<b>Speed Settings</b>	3 Speed + Boost Mode
<b>Timer Function</b>	Programmable Timer (10min Increments) Auto fan shut off after 2-hours of inactivity
<b>Outlet</b>	"Twin" Top or Rear Duct Outlets
<b>Ducting (Remote)</b>	Dia. 200mm Acoustic Flexi Ducting - Five (5) Meter Length (2x Supplied)
<b>Hood Width</b>	1500mm
<b>Hood Depth</b>	<b>750mm</b>
<b>Hood Height (Fascia)</b>	120mm
<b>Installation Height</b>	1200mm* (Recommended) <small>* Clearance above the highest point of the cooktop to the underside of hood</small>



**S-FLOW**



BAFFLE FILTRATION



ENERGY EFFICIENT  
LED LIGHTING



STAINLESS STEEL QUALITY FINISH

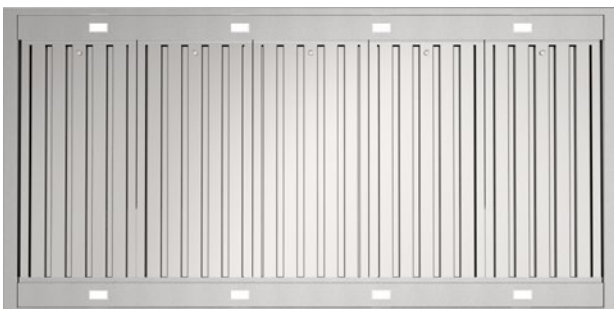
**mastermind**



Wireless Remote Control Included



**Filtration Zone**



**Whispair Endurance Warranty**



**5 YEAR WARRANTY**  
COMPONENT PARTS & LABOUR



**10 YEAR WARRANTY**  
REPLACEMENT PARTS & LABOUR



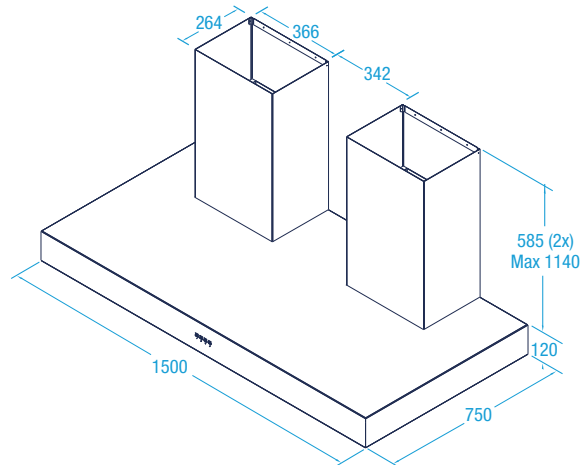
**LIFETIME**  
REPLACEMENT PARTS WARRANTY

**Your Hood. Your Colour. Your Way.**

Available Finishes (Stainless Steel Finish Standard)



**Dimensioned Drawing**



**Available Models - Select Your Motor Solution & Optional Finish**

*Remote External (Roof or Wall Mounted)*  
X5N15S5.2EPP 'Twin' Pro Plus 2,010m<sup>3</sup>/hr SPL: 56.6dB(A) In / 62.8dB(A) Out

*Your Hood. Your Colour. Your Way. (Optional Alfresco Canopy Finish)\**

- X1P9.BL Paint Finish - Satin Black
- X1P9.WH Paint Finish - Satin White
- X1P9.CUS Paint Finish - Custom Colour

\*Additional charges apply

SPL - Nominal Sound Pressure Level on Boost (Max) Speed